

# PRODUCT MANUAL



If YOU can IMAGINE it... WE can BUILD it

# JUMBOTRAC®

## **WARNING**

This tent product is not intended to be used as a shelter from severe weather. Evacuate immediately if threatening weather occurs (or is forecasted) or any condition arises concerning the safe use of this product. Threatening weather includes electrical storm systems, moderate to high wind (excess of 38mph), heavy rains, snow, or any condition that raises any doubt to the structural integrity of the tent

## **CAUTION**

The installation of electrical, plumbing, lighting, appliances and/or HVAC equipment are not covered within this manual. Users/Installers shall follow local code requirements for the installation of these items using certified personnel. AztecTents shall be indemnified and held harmless from any such use or injury resulting from its use.

## Important Safety Information

Proper personnel safety equipment should be worn at all times during the installation of any tenting products.

Hard Hat

Safety Glasses

Work Gloves

Long Pants

Steel Toe Boots

OSHA Approved Harness and restraint system (for off ground activities)



Thank you for your recent purchase from Aztec Tents. The following procedures will help you through your installation. If you ever run into problems with the installation of your Aztec Tent give one of our sales/service professionals a call. Other product specific information, contact information, diagrams, and other operational support is available on our web site at [www.aztectent.com](http://www.aztectent.com).

## Contents

---

General Care & Guidelines	
General Fabric Care & Maintenance	4
General Hardware Care & Maintenance	5
Fabric Flame Retardant Information	5
Anchoring	5-6
Pre-Installation Guidelines	6
General Installation Guidelines	6
Post Installation Guidelines- Maintenance	7
Safety & Evacuation Planning	7
General Take Down/Removal Guidelines	7
Special Care for Unsupported Clear Fabric	8
Other Resources	8
Tools Required for Installation	8
Optional Items & Accessories Available	8
Installation Procedure	
Hip End Design	9-13
Gable End Design	14-18
Tilt-Up Design	19-23
Kit Options	24-27
Diagrams	28-35
Parts Images	36-39
Engineering Specifications	40-41
Replacement Parts	42

### Questions? Call us.

#### Aztec Tents

2665 Columbia Street  
Torrance, CA 90503 USA  
Direct (310) 347-3010  
Toll Free (800) 228-3687  
Fax (310) 381-0722

V.05102023

# General Fabric Care & Maintenance

---

The vinyl fabric developed for this tent system requires specific attention during installation, cleaning, and storage to maintain its maximum life span. Please follow the following care and maintenance guidelines provided for this product.

**GROUND CLOTHS:**The usage of ground covering material under the tent during installation and dismantle will protect the tent fabric from soiling and from minor surface abrasions. A ground cloth can also help keep the tent top dry if the ground surface ( i.e. dirt, grass, etc.) is wet during the installation or dismantle.

**MILDEW TREATMENT:**The fabric is pretreated with mildew inhibitors that help prevent the growth and spreading of mildew and fungus. Although treated, proper care should be given to prevent potential growth. If you see mildew wipe it away immediately with a clean towel and diluted soap solution. Never fold your fabric for storage if the fabric is even slightly wet. Mold/Mildew spores in the air and on the ground will come in contact with the fabric while installed. To grow, all the mildew needs is moisture and some source of food (often found in dirt that might be on the tent). Your best bet is to keep your fabric clean and dry to prevent mildew growth.

**FABRIC CLEANING:**The best way to clean the vinyl tent fabric is with a soft towel or soft bristled brush immersed in a diluted solution of warm water and our tent cleaning solution. A diluted and mixed solution of a tablespoon of traditional dish soap with a gallon of warm water will also work, but extra caution should be placed on insuring that this cleaning solution is thoroughly rinsed from the fabric, especially with clear vinyls (See special notes on working with clear vinyls).

You will need a large, smooth, flat space slightly larger than the section of fabric. This space should be covered with a ground protecting layer to avoid damaging the tent membrane when moving in the washing area. Small impediments, sharp objects and rough surfaces all have the potential to damage the membrane you are trying to clean.

Follow the instructions for the proper dilution ratio of your cleaning product. Apply the diluted solution directly to the fabric using 1) a towel immersed in the solution, or 2) a spray bottle or larger pressurized spraying apparatus to evenly cover the fabric with the solution. Let this sit on the fabric for about one minute to allow the mixture to penetrate the fabric. Using a soft towel or soft bristled polypropylene brush (some can be mounted to a long handle to allow you to stand while working), gently work the cleaner into the fabric using only mild pressure. While harder bristled brushes can work, they will end up microscopically scratching the fabric, potentially permanently damaging the fabric and making it harder to clean the next time. The process of hand cleaning the fabric will allow you to apply only enough diluted solution to get the fabric clean. This will help limit the amount of water placed on the fabric to expedite drying time. Never allow the tent cleaner to dry on the fabric. For this reason, larger tents might be better to clean in sections. Once the cleaning is complete be sure to rinse away any cleaning solution completely from the tent membrane.

Full immersion of the fabric in water is not recommended. The use of commercial front loading or top loading washing machines is not recommended and will void the warranty of the fabric. These machines cause an excessive amount of stress to the fabric and can force water into the fabric causing increased occurrences of mildew growth and shorten the life of the fabric. As with any cleaning, the fabric should be hung to dry completely before folding and storage. Cleaners that include chlorine bleach, and/or any petroleum based solvents will degrade the fabric, discolor the fabric and shorten its life span.

If you have a difficult stain that cannot be removed with traditional cleaning, please consult with your sales person before trying any other chemicals that might end up damaging the material further. Do not use other chemicals or cleaners unless instructed by your sales professional.

**FABRIC DRYING:**The best way to dry the vinyl tent fabric is to hang-dry in a low humidity environment. Circulating air around the surface of the hanging fabric with the use of fans will also speed the drying process and improve drying time in more humid environments. Please also assure that subassemblies and other components within the tent system are dry before folding. These subassemblies can be reinforcements, lace lines, webbing, rope, thread, and/or any other part that is permanently affixed to the main tent membrane. The use of commercial drying equipment and any drying using heat will void the warranty of the fabric. **DO NOT STORE YOUR FABRIC WET.** Fabric folded and stored wet will mildew.

**TENSIONING:** Do not over tension your tent fabric during installation, use, or removal. Over tensioning can cause permanent damage to the tent membrane. The most obvious sign of over tensioning would be stress wrinkles at the tension points. Be sure to confirm that your frame/pole components match the tent design. In cases where the ground is not level, over tensioning is possible by trying to force the tent to dimension.

**STORAGE RECOMMENDATIONS:**The fabric for the tent system shall be stored dry in a cool, dry place in the protective storage bags included with your purchase. Other types of bags are acceptable as long as they can protect the fabric from the environmental elements of the storage area. Optimal storage temperature is between 50°F and 70°F.

**INSPECTION:** Prior to each use, each component of the tent system needs to be thoroughly inspected to assure its structural stability has not been compromised. Fabric components that are ripped, torn, frayed, or damaged shall be immediately replaced and not used. Structural components of the fabric membrane are the most critical including but not limited to the main fabric membrane, structural reinforcements and webbing, web termination plates/rings/fasteners, and connection points from fabric panel to fabric panel or connection points between the fabric panel and the hardware support system.



# General Hardware Care & Maintenance

The hardware components developed for this tent system requires specific attention during installation, cleaning, and storage to maintain its maximum life span. Please follow the following care and maintenance guidelines provided for this product.

**OXIDATION:**The hardware components for this tent system have been supplied to you with specialty coatings to help limit oxidation. With usage, these coatings will need to be maintained in order to limit oxidation and for the product reach its full intended lifespan. With plated or powder coated steel components, any rust should be removed immediately with a stiff wire brush and sprayed with either a galvanizing spray or durable paint to seal the steel from the elements. Anodized aluminum components will get scratched over time and these scratched areas can develop a thin black oxidation common with mill finish aluminum. This black oxidation can cause staining to any fabric components that come in contact with the pole/component. Your best preventative measure will be to avoid scratching of the anodized coating by avoiding any sharp edges that might be come in contact with the aluminum member.

**HARDWARE CLEANING:** It is very important to keep your hardware components clean and free of dirt, oxidation, and other chemicals especially if those hardware components come into contact with any fabric components during installation, use, or take-down of your product. Any dirt, oxidation, or chemical on the surface of the hardware member can transfer the contaminant to the fabric causing permanent staining, or permanent damage to the fabric membrane. If hardware components are found to be soiled, wipe down immediately to remove the foreign matter.

**STORAGE RECOMMENDATIONS:**The hardware for the tent system shall be stored dry in a cool, dry place. Anodized aluminum component can be stored outside, but should be covered to prevent foreign matter from collecting on the components that might stain or damage the fabric membrane during installation or use. Any/all steel components shall be stored indoors in a dry/low humidity environment.

**INSPECTION:** Prior to and after each use, each component of the tent system needs to be thoroughly inspected to assure its structural stability has not been compromised. Hardware components that are bent, cracked, frayed, or damaged shall be immediately replaced and not used. Specific attention should be paid toward any devices used for anchoring including ratchets, ropes, cables, and web straps.

## Fabric Flame Retardancy

All vinyl fabric used in the production of our tents, walls, and accessories are certified flame retardant per per NFPA 701, Canadian CAN-ULC-S109-03, British Standard BS 7837:1996, and are registered with the California State Fire Marshal. These vinyl products are produced so that they are inherently flame retardant, and thus will never require additional applications of flame retardant chemicals.

Every section of fabric produced by Aztec Tents contains a label identifying its flame resistance characteristics and date produced. This label matches a hard copy of the flame certificate that is mailed to you after receipt of your goods.

If at any time you need to be issued a duplicate flame certificate, you can request one from our customer service representatives. Please be sure to have the invoice number and date of production available when requesting duplicate flame certificates.

## Anchoring

All anchoring locations must be laid out accurately as described in the manual and diagrams contained within (in advance of laying out the fabric) to a tolerance of +/- 4" in any direction (right or left, forward or back, up or down, etc.) All column base locations must be laid out to a tolerance of +/- 3" in any direction for any standard supported tents and within a tolerance of +/- .5" for any product utilizing keder channels.

A wide variety of ground anchoring devices are commonly used. Soil conditions and resulting ground anchor holding capacities vary from site to site, and can vary within a particular site. The Owner and/or Installer of the tent is fully responsible for assuring that the selection and installation of the anchoring devices is adequate to resist the pull out loads specified in the product manual.

Reduced anchor performance can occur under wet soil conditions and needs to be accounted for. Care should be taken that water is not allowed to drain or collect near anchors.

Anchoring device holding capacity can be developed using a single large device, or by using multiple smaller devices.

Ensure that the anchors installed are adequate to resist the pull out loads shown. Actual testing of some individual anchors to 75% of the anchor pull-out load is recommended.

Additional installation and anchoring information entitled "The IFAI Procedural Handbook For The Safe Installation And Maintenance Of Tentage" is published by the Tent Rental Division of the Advanced Textiles Association (ATA).

# Anchoring Tie Downs

---

Although we use high quality thread and webbing for all of our sewn tie-down components, ultraviolet light from the sun will slowly breakdown these fibers over time. Chemicals, cleaners, or other products should not be used on webbing tie-down components as its use might accelerate this aging process. Damaged, abraded, cut, or frayed straps should never be used.

Additionally, these straps should never be used for other tie-down applications other than securing the tent for which they were purchased (i.e. securing equipment on a pallet, truck, or trailer). Seasonal installations should replace tie-down straps annually or sooner if any damage is noted. Other straps used in short term applications should be tested periodically to assure that they meet the intended working load for their design. Straps shall expire 5 years from the date of their manufacture (noted on the item tag) and shall not be used.

# Pre-Installation Guidelines

---

Correct field installation of this tent system requires diligence and considerable skill and expertise which can be obtained only through the proper field training and experience of a professional rental tent supervised installation crew. This is instrumental to obtaining the optimal structural behavior of the tent.

- Obtain any required permits or inspections needed by local codes and regulations.
- Clear the site to prepare for the planned activity.
- Check for sub grade utilities before installing any anchoring devices.
- Check for any overhead obstructions that might interfere with the tent installation. Do not install any tent within 50' of any overhead utilities, power lines, or other obstructions. Installation under or within close proximity to trees should be avoided.
- Locate the public circulation routes with clearance from anchors around the exterior of the site. Identify clearly.
- Use drop cloths to prevent soiling or damaging the fabric membrane.
- Pad and tape objects with sharp projections which will remain on site under the tent.
- Cover any sharp edges on anchoring devices with protective material

# General Installation Guidelines

---

Each component of the tent should be inspected at the beginning of installation for visual signs of damage by the installer. All damaged materials should be repaired or replaced immediately.

The weather should be carefully considered by the Owner and/or the Installer before raising the tent since the hardware and fabric cannot transmit design wind loads or shed rainwater loads (potential ponding) when it is not fully anchored, installed, and/or tensioned. It is recommended that installation or removal of the fabric members be performed when the wind speed is less than 15 mph. The decision to raise or lower the fabric of the tent should be the responsibility of the experienced rental tent installation supervisor based upon conservative life safety considerations and judgement.

Adequate and appropriate installation and maintenance procedures are necessary to achieve and sustain full design load capability for the tent. The Owner and/or Installer are fully responsible for assuring that the tent is properly installed and maintained.

Certification of this tent structure is valid only with the use of Aztec Tent supplied and assured components or those which meet or exceed the requirements of the design throughout the installation of this structure, with the exception of the anchoring devices which must be determined by the installation engineer.

# Post Installation Guidelines / Maintenance

Each component of the tent should be inspected at the end of installation for visual signs of damage by the installer. Additionally, an inspection should be performed after any severe weather/wind events that might have affected the overall integrity of the design. All damaged materials should be repaired or replaced immediately.

A variety of material and weather factors can result in fabric stretch, web belt stretch, rope stretch, mast base settling, changes to design geometry, etc. Changes to the design geometry of the tent and consequently the structural performance characteristics of the tent, can occur while the tent is in service and not attended by the professional installer. It is recommended that a maintenance agreement be arranged between the Client/User of the tent and the Installer involving periodic inspections and adjustments.

If rainwater ponding occurs at any point on the fabric, evacuate the tent, remove the water, and adjust the tie back rope/web prestress tension and/or fabric tensioning over the frame back to its design geometry to achieve positive drainage.

It is understood and expected that some damage to the fabric membrane and/or non structural components may occur in conditions below the overall design wind velocity rating of the tent system. This damage may result in components requiring repair or replacement as necessary.

## Safety & Evacuation Planning

It is the responsibility of the Owner and/or the Installer to warn the User and or Occupants of the tent system that this product is not intended to be used as a shelter from severe weather. Aztec assumes no liability for such use. An evacuation and communication plan for the area covered within this tented space is imperative and shall be thoroughly communicated to all users and potential occupants of the tent. Severe weather including electrical storm systems, moderate to severe wind, heavy rains, snow, or any condition that raises any doubt to the structural integrity of the tent are immediate signs that an evacuation is necessary. Severe bodily injury and/or death can occur. A best practices document published by the American Rental Association covering this topic can be downloaded at: [http://aztectent.com/webfm\\_send/151](http://aztectent.com/webfm_send/151)

Common signs that warrant the immediate evacuation of this tent:

- Any movement, displacement, or failure of any of the anchoring devices or support hardware.
- Any component failure in part or whole
- Any tear or puncture in the fabric membrane
- Any forecasted moderate to severe weather condition
- Any collection or accumulation of snow or ice on the tent
- Strong winds causing movement and/shifting of the tent or tent support structure
- Strong winds causing small branches to be ripped from trees
- Any lightning or electrical storms
- Hail or frozen precipitation any larger than pea size
- Any fire or smoke within close proximity of the tent
- Any smell of gas, exhaust, or other odor from any combustible material

In the event of forecasted severe weather, hurricane, or other such early warning, it is recommended to immediately evacuate the tent and time permitting take down the tent and remove from the site.

## General Take Down / Removal Guidelines

The weather should be carefully considered by the Owner and/or the Installer before lowering the tent since the hardware and fabric cannot transmit design wind loads or shed rainwater loads (potential ponding) when it is not fully anchored, installed, and/or tensioned. It is recommended that installation or removal of the fabric members be performed when the wind speed is less than 15 mph. The decision to raise or lower the fabric of the tent should be the responsibility of the experienced rental tent installation supervisor based upon conservative life safety considerations and judgement.

Unless otherwise noted in the procedures that follow, the removal of this tent system shall follow the same procedures outlined but in the reverse order.

Once unassembled, each component of the system should be inspected for any signs of visual damage by the installer. All damaged materials should be marked or identified so that repair or replacement of these materials can occur prior to the next use of the product.

# Special Care For Unsupported Clear Fabric

The clear fabric used in window style sidewalls, clear sidewalls, and clear tent tops needs to be managed differently than standard tent fabric. Polyester scrim is what gives standard tent fabric its strength, stability and durability. Laminated tent fabric enjoys the benefit of encasing this woven layer of rip-stop polyester between the layers of colored vinyl film. Clear vinyl does not enjoy those benefits. Because of this, clear vinyl has a very low tolerance to ultra violet ray exposure, wind, airborne particulate matter, hot or cold temperatures, elasticity due to wind and rain and handling. Any or all of these factors will cause clear fabric to under perform when compared to traditional tent fabric.

Exposure to ultra violet rays for an extended amount of time as will occur with time over the life of the product, will cause the fabric to appear milky or opaque. Putting away and storing damp or wet clear vinyl will result in a foggy hue in the clear film. Usually, this fogginess will disappear when the walls are left open to dry and warm up. Steady wind can whip clear vinyl back and forth and cause surface or through cracks in the fabric. Heat in excess of 85°F will cause clear vinyl to stretch and distort. Although our clear vinyl has a cold crack rating of near freezing, that rating is for a static environment. Any introduction of wind or manipulation by handling will cause failure (cracking like glass) in colder conditions. Use of clear fabric in temperatures less than 50°F should be avoided. Airborne particulate matter will abrade the surface and cause the finish to become less translucent.

Clear tent tops are also very susceptible to water ponding as they are highly elastic. If rain is forecasted during the use of these products it is recommended to take additional precautions and more frequent inspections throughout the duration of the rainfall to inspect for potential ponding on the roof fabric. If rainwater ponding occurs at any point on the fabric, evacuate the tent, remove the water, and adjust the tie back rope/web prestress tension and/or fabric tensioning over the frame back to its design geometry to achieve positive drainage.

Special attention should be paid to the cleaning of these items. Use only the softest towels when cleaning the clear membrane to avoid scratching the highly polished surface, and wipe dry to avoid water spots. Use standard diluted tent cleaning solution. **DO NOT USE OTHER CHEMICALS.** Optimal storage temperature is between 50°F and 70°F.

## Other Resources

American Rental Association- [www.ararental.org](http://www.ararental.org)  
Tent Rental Division of the Advanced Textiles Association

## Tools Required for Installation

Sledge Hammer	For driving anchoring stakes
Canopy Jacks	For lifting Frame
Drop Cloths	For protecting fabric membrane
Pull Ropes	For pulling fabric membrane over roof
8' Ladder	General installation tool
Utility Knife	General installation tool
Tape Measure	General installation tool
Marking Paint/Chalk	Used to mark anchoring locations and tent boundaries

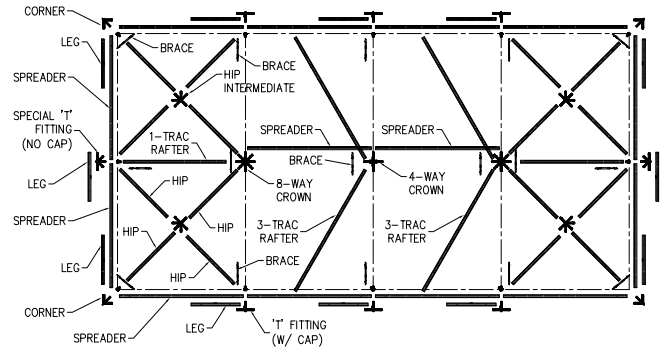
## Optional Items & Accessories Available

JT Keder Feeder Set	Assists in feeding membrane panels into the keder track beams
Side Wall Panels	To enclose walls of tent
Raingutters	To collect and divert water away from connecting tent entrances
Decorative Liners	To add decorative look and hide most rafter framework
Double Valance	Makes installation of traditional sidewall and gutters easier
Canopy Doors	To add easily accessible means of egress to and from the tent
JT Wall Tension Bars	To secure the bottoms of the walls from moving in breezy conditions
Additional Anchors	Additional anchors used to secure the tent system

# Installation Procedure: Hip End Design

## Step 1:

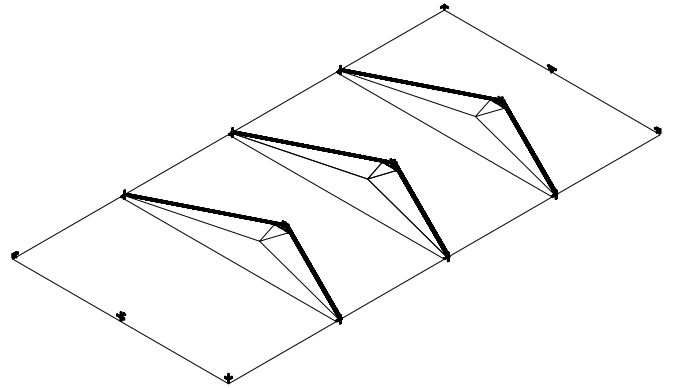
Lay out the parts of the tent in place so they are easy to access. See the specific diagram for your size of tent in the pages following the instructions.



## Step 2:

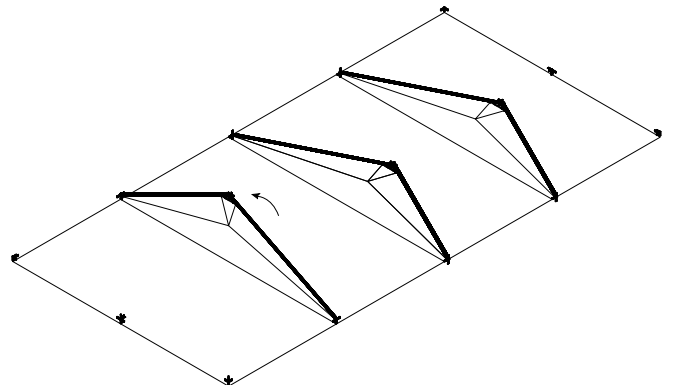
Assemble the main arches. Start from the crown fitting and work your way down. Install the JT3 Rafter to the crown and then connect the Side Tee w/Cap or Special Side Tee w/Cap(40x Only) to the rafter pipe. Connect the crown brace to the beam arch. Follow by connecting the assembly cable to the crown brace and finally connect the assembly cable to the Side Tee w/Cap.

\*\*The Jumbotrac design features a push button design in which no tools are required for frame assembly. Installers should wear gloves during installation to avoid pinching during the fitting to pipe connection.



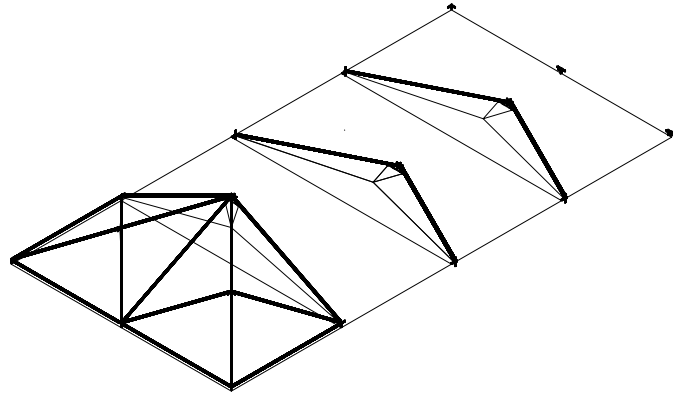
## Step 3:

Once all arches are assembled tilt one of the end arches upright.



**Step 4:**

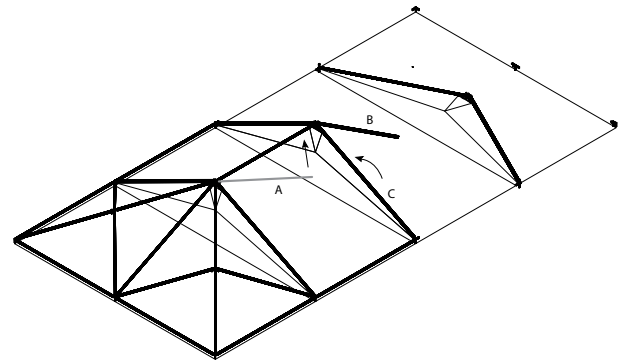
From the crown down, begin attaching the end framing working from the crown down to the perimeter. Once all the rafter pipes are in place you can begin connecting the perimeter pipes to the fittings. Install and connect all of the perimeter pipes and connect the corner fittings last.



**Step 5:**

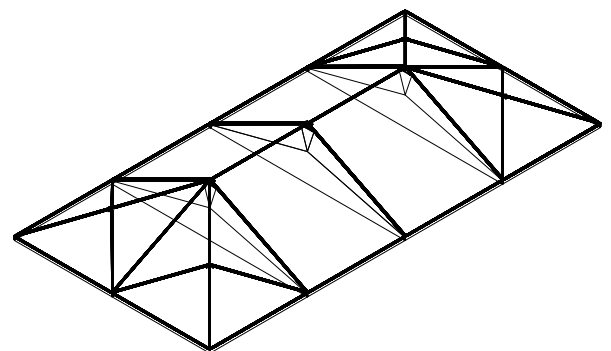
Build mid section framing. Install the ridge pipe onto the end crown fitting and gently allow pipe to pivot on the fitting until it rests on the ground (A). Install the next ridge pipe onto the beam assembly still laying on the ground (B). Use this pipe to help push up the beam assembly (C). When vertical connect the ridge pipe and perimeter pipes. Continue in same manner with all remaining beam assemblies.

Note: 20' middle sections may use an optional mid-rafter that attaches to the ridge and eave beams with slide tees. 50x Jumbostrac frames contain an additional purlin that attaches to the JT center intermediate along the rafter (see diagrams for details).



**Step 6:**

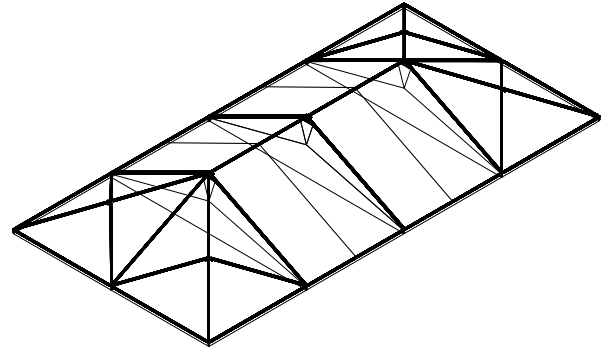
Build opposite end frame working from the crown down to the perimeter. Install and connect the corner fittings last.





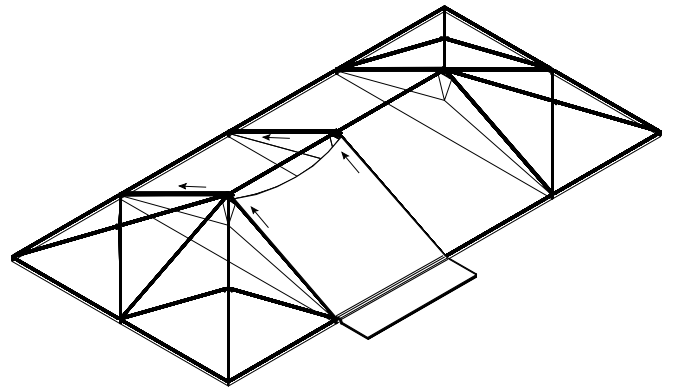
**Step 7:**

Install the intermediate mid bay rafters on all 20' bays. This mid-bay rafter adds additional support to the bay fabric. The JT Slide Top Tee with bolt should be placed in the center of the ridge pipe and the bolt tightened. The intermediate rafters are pinned to this fitting on top and pinned to the JT Side Tee Add Rafter fitting on the bottom with Acadapins.



**Step 8:**

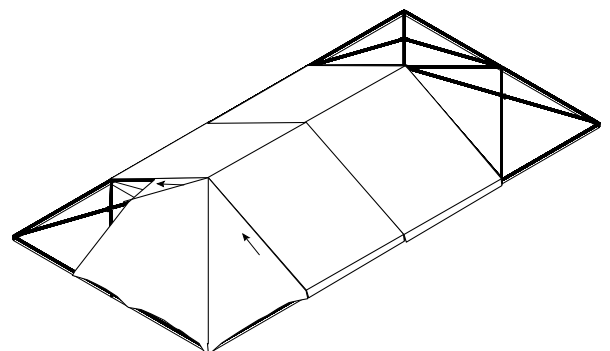
Install middle fabric panels. Lay out ground cloths under the area to open the tent fabric. Throw two ropes over the mid frame and tie to the pull strap on the end of the panel. With the glossy side of the fabric facing upward start feeding the ends of the panel into the JT3 Rafter tracks. Once the panel is started the pull ropes can be pulled evenly to pull the fabric up and over the frame. This will require a four (4) person team. One (1) pulling each of the pull ropes and (1) guiding the fabric into the channel on the opposite side. Continue with all the middle panels.



Note: Optional Jumbotrac Keder Feeders can be utilized to help guide the fabric panel into the beam and lessen the labor requirement to feed panels into the keder opening.

**Step 9:**

Install end panels. Lay out ground cloths under the area to open the tent fabric. Throw one rope over the end frame and tie to the pull strap on the end of the panel. With the glossy side of the fabric facing upward start feeding the kedered end of the panel into the JT3 Rafter track. Pull the panel up and over the the beam assembly. As the panel is pulled the perimeter fabric will need to be pulled separately over the rafter framing to avoid it getting caught. Using the "Festival Tool" secure the corner webbing loop over the nipple on the edge of the corner fitting.

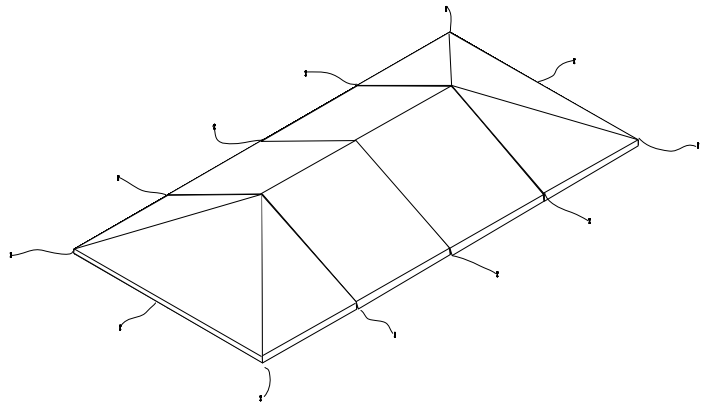


**Step 10:**

Using the included in-line ratchet assembly, snap the hook of the web guy to the ring on the exterior of the perimeter fitting. Drive your anchor stakes straight through the ring on the inline ratchet assembly and into the ground at a distance equal to the leg height of the tent. Drive the 42" stake so all but 2" is embedded. Pass the webbing through the ratchet and set the ratchet. Final tension to the ratchets will be applied once the frame has been lifted.

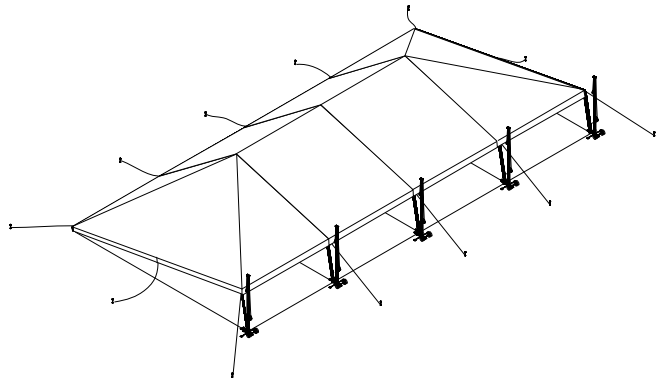
**NOTICE**

The anchoring devices included with the purchase of this tent will not be suitable for every application or ground condition. It is the installers responsibility to confirm that the anchoring devices used will support the recommended resistance load requirements specified in the appendix of this manual. Additional or different types of anchors may be needed depending on ground conditions.



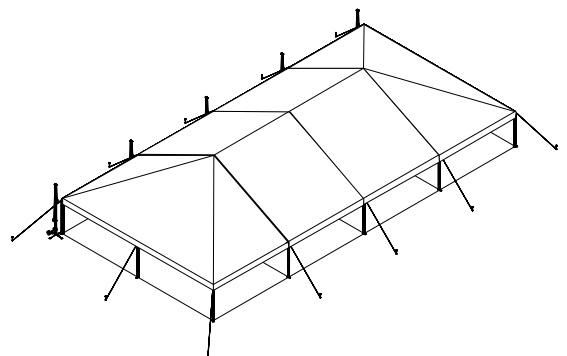
**Step 11:**

Using a tent jack at each leg raise one side of the tent to a height where you can install the legs. At this time be sure that the base plate is connected to the bottom of the leg. Connect all of the perimeter leg braces at this time. Lower the frame so the frame is resting on the legs on one side and the perimeter fittings on the other.



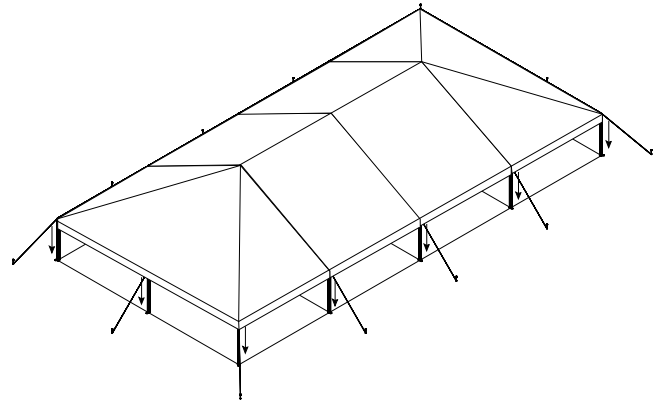
**Step 12:**

Move the jacks to the other side of the tent. Using a tent jack at each leg, raise the other side of the tent to a height where you can install the legs. Prior to lowering the tent jacks, install the end legs on each side. Lower the frame so the frame is resting on all the tent legs. At this time be sure that the base plate is connected to the bottom of the leg. Connect all of the perimeter leg braces at this time.



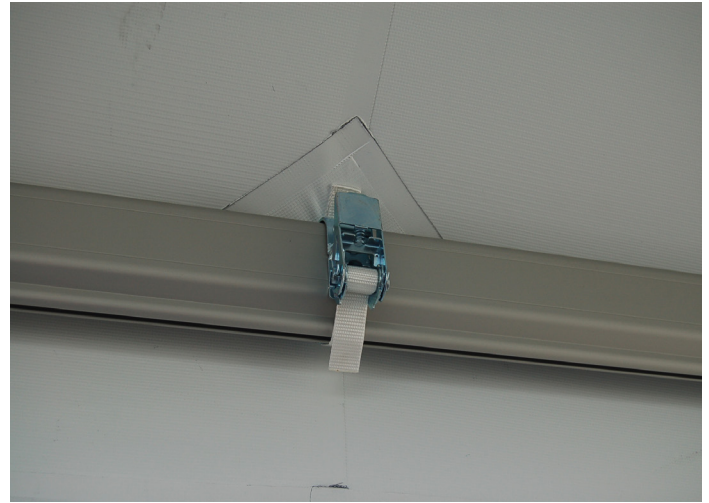
**Step 13:**

Tension the tent top. At each leg you will need to apply tension down to the baseplate to ensure the proper fit and performance. Each tent top section ends with a 2" D-Ring and a 1/4" braided rope extends out from the valance hem. The round ring on the end of this rope **MUST** be passed through the D-Ring on the adjoining fabric section and then down toward the baseplate. Use the included 1" tensioning ratchets to "hook" both of the round rings of the adjoining sections and tension toward the baseplate. At this point you can also adjust final tension on the guy out ratchets (if needed).



**Step 14:**

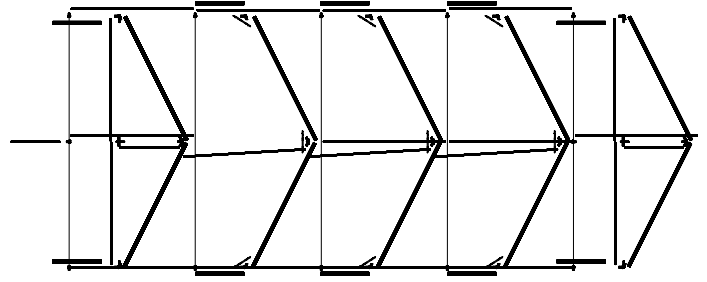
Install the Midspan Tensioners around the eave of the tent for all roof panels. The mid span tensioner is placed over the eave at the mid-point between two legs and connected to the strap that is permanently affixed to the roof panel.



# Installation Procedure: Gable End Design

## Step 1:

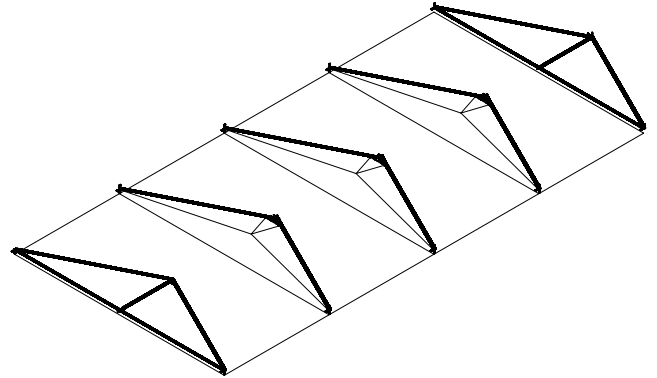
Lay out the parts of the tent in place so they are easy to access. See the specific diagram for your size of tent in the pages following the instructions.



## Step 2:

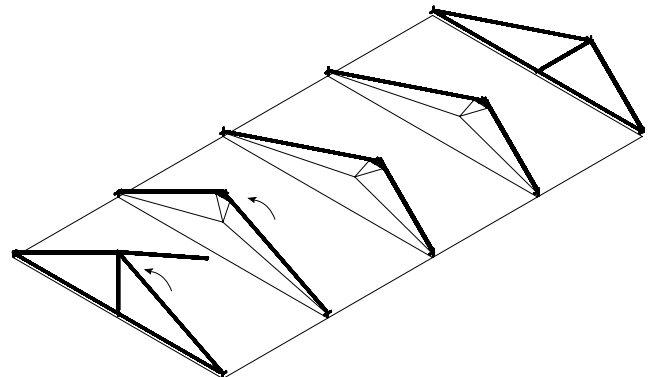
Assemble the main arches. Start from the crown fitting and work your way down. Install the JT3 Rafter to the crown and then connect the Side Tee w/Cap to the rafter pipe. Connect the crown brace to the beam arch on all intermediate arches. Follow by connecting the assembly cable to the crown brace and finally connect the assembly cable to the Side Tee w/Cap. Attach gable upright hardware and eave hardware on gable arches.

\*\*The Jumbotrac design features a push button design in which no tools are required for frame assembly. Installers should wear gloves during installation to avoid pinching during the fitting to pipe connection.



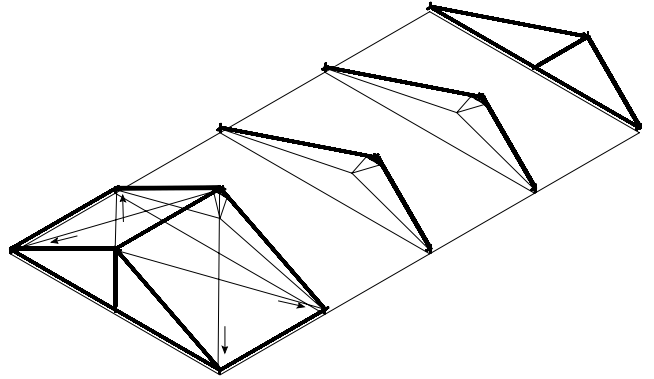
## Step 3:

Once all arches are assembled tilt one of the end arches upright and connect the ridge pipe to the gable end crown. Two people are required to hold this upright while the following arch is tilted. Follow by tilting up the second arch.



**Step 4:**

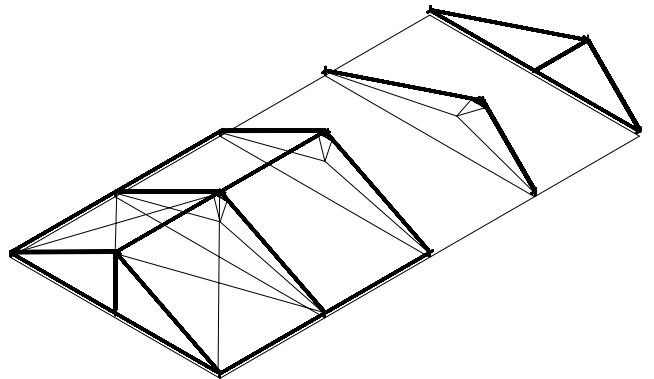
Once tilted vertical you can connect the ridge pipe to the center crown on the second beam arch. Follow by connecting the eave spreaders from the gable corner fitting to the side tee with cap. Once the three spreader pipes are connected and push buttons engaged you must install the roof "X" cables. These cables help provide the frame system rigidity. Install the four (4) cables in the bay and tighten evenly. This is a good time to get the frame close to square by using a tape measure and getting the diagonals the same length.



**Step 5:**

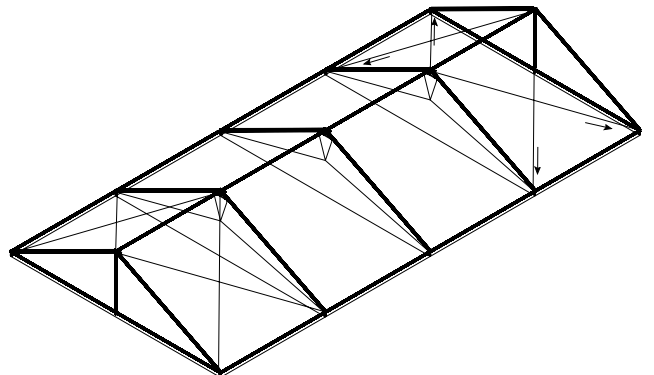
Build subsequent mid section framing. Install the ridge pipe onto the center crown fitting raised in step 4 and gently allow pipe to pivot on the fitting until it rests on the ground. Install the next ridge pipe onto the beam assembly still laying on the ground. Use this pipe to help tilt up the beam assembly. When vertical connect the ridge pipe and perimeter pipes. Continue in same manner with all remaining beam assemblies.

Note: 20' middle sections may use an optional mid-rafter that attaches to the ridge and eave beams with slide tees. 50x Jumbotracs contain an additional purlin that attaches to the JT center intermediate along the rafter (see diagrams for details).



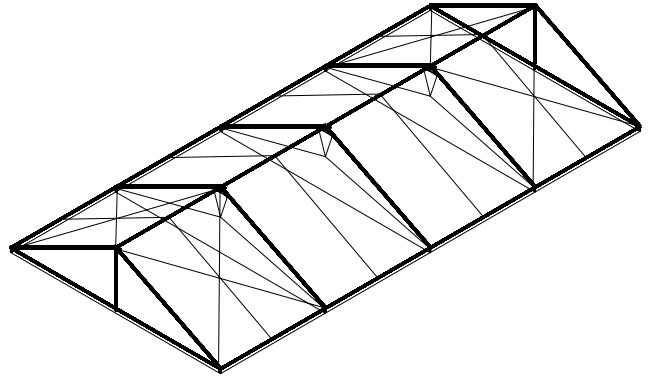
**Step 6:**

Tilt up the final end framing and install roof cables.



**Step 7:**

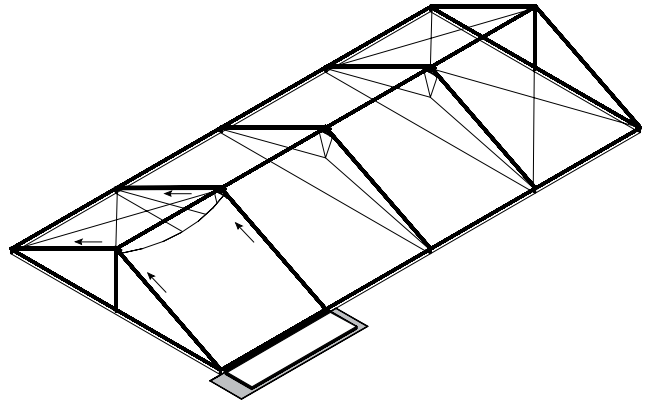
Install the intermediate mid bay rafters on all 20' bays. This mid-bay rafter adds additional support to the bay fabric. The JT Slide Top Tee with bolt should be placed in the center of the ridge pipe and the bolt tightened. The intermediate rafters are pinned to this fitting on top and pinned to the JT Side Tee Add Rafter fitting on the bottom with Acadapins.



**Step 8:**

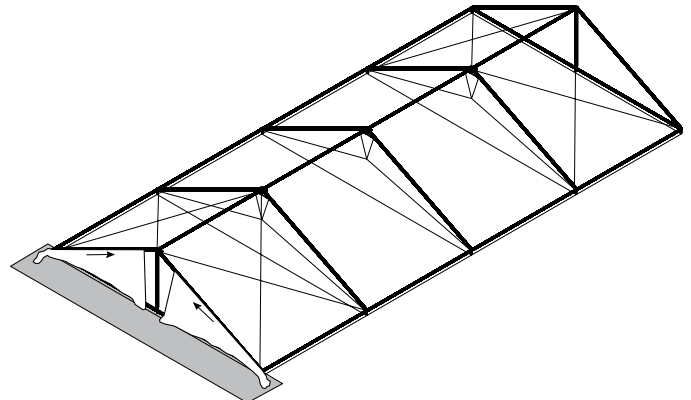
Install middle fabric panels. Lay out ground cloths under the area to open the tent fabric. Throw two ropes over the mid frame and tie to the pull strap on the end of the panel. With the glossy side of the fabric facing upward start feeding the ends of the panel into the JT3 Rafter tracks. Once the panel is started the pull ropes can be pulled evenly to pull the fabric up and over the frame. This will require a four (4) person team. One (1) pulling each of the pull ropes and (1) guiding the fabric into the channel on the opposite side. Continue with all the middle panels.

Note: Optional Jumbotrac Keder Feeders can be utilized to help guide the fabric panel into the beam and lessen the labor requirement to feed panels into the keder opening.



**Step 9:**

Install gable end panels. The gable end fabric is a 2 piece assembly that is sealed with velcro in the center. Lay out ground cloths under the area to open the tent fabric. Throw one rope over the end frame and tie to the pull ring at the top of the gable panel. With the glossy side of the fabric facing outward start feeding the kedered end of the panel into the JT3 Rafter track. Pull the panel up and over the the beam assembly. As the panel is pulled toward the center and upward you will need a ladder to pull the gable section to the top. Now install the other half of the gable panel, connect the ring/hook at the top near the keder, and seam the velcro sections together. At this time also connect the buckle at the perimeter area to connect the two sections together.



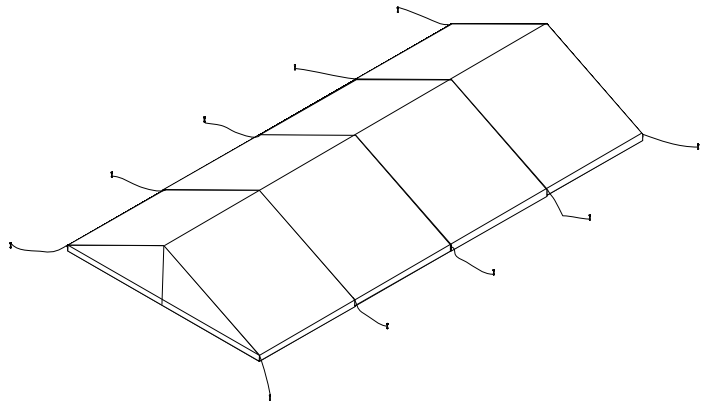


**Step 10:**

Using the included in-line ratchet assembly, snap the hook of the web guy to the ring on the exterior of the perimeter fitting. Drive your anchor stakes straight through the ring on the inline ratchet assembly and into the ground at a distance equal to the leg height of the tent. Drive the 42" stake so all but 2" is embedded. Pass the webbing through the ratchet and set the ratchet. Final tension to the ratchets will be applied once the frame has been lifted.

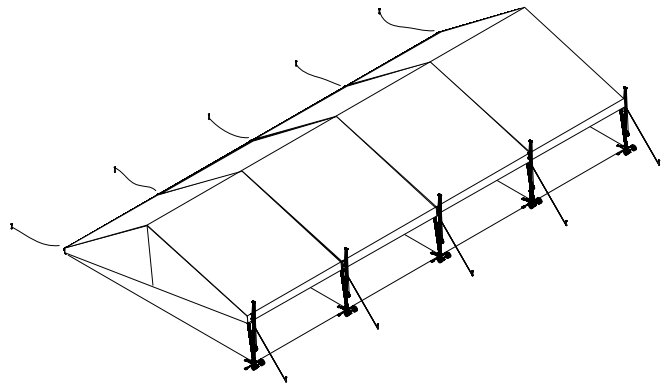
**NOTICE**

The anchoring devices included with the purchase of this tent will not be suitable for every application or ground condition. It is the installers responsibility to confirm that the anchoring devices used will support the recommended resistance load requirements specified in the appendix of this manual. Additional or different types of anchors may be needed depending on ground conditions.



**Step 11:**

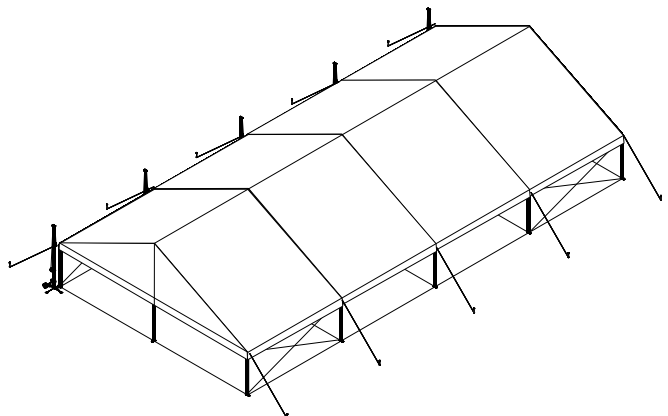
Using a tent jack at each leg raise one side of the tent to a height where you can install the legs. At this time be sure that the base plate is connected to the bottom of the leg. Connect all of the perimeter leg braces at this time. Lower the frame so the frame is resting on the legs on one side and the perimeter fittings on the other.



**Step 12:**

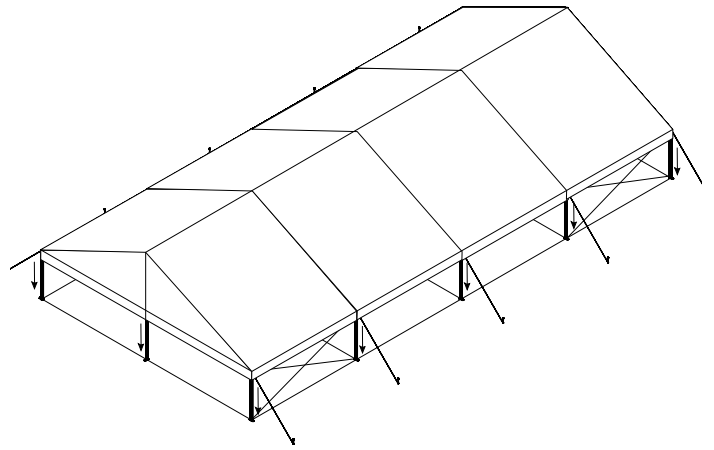
Move the jacks to the other side of the tent. Using a tent jack at each leg raise the other side of the tent to a height where you can install the legs. Lower the frame so the frame is resting on the legs on one side. At this time be sure that the base plate is connected to the bottom of the leg. Connect all of the perimeter leg braces at this time. Leg cables should be installed at this time.

Note: Roof and wall cables are required on each end bay and shall also be added after 60' of continuous non-cabled bays.



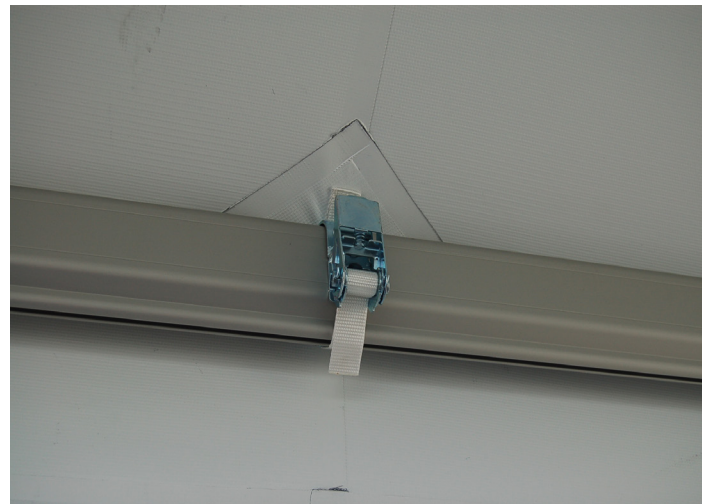
**Step 13:**

Tension the tent top. At each leg you will need to apply tension down to the baseplate to ensure the proper fit and performance. Each tent top section ends with a 2" D-Ring and a 1/4" braided rope extends out from the valance hem. The round ring on the end of this rope **MUST** be passed through the D-Ring on the adjoining fabric section and then down toward the baseplate. Use the included 1" tensioning ratchets to "hook" both of the round rings of the adjoining sections and tension toward the baseplate. At this point you can also put final tension on the guy out ratchets.



**Step 14:**

Install the Midspan Tensioners around the eave of the tent for all roof panels. The mid span tensioner is placed over the eave at the mid-point between two legs and connected to the strap that is permanently affixed to the roof panel.

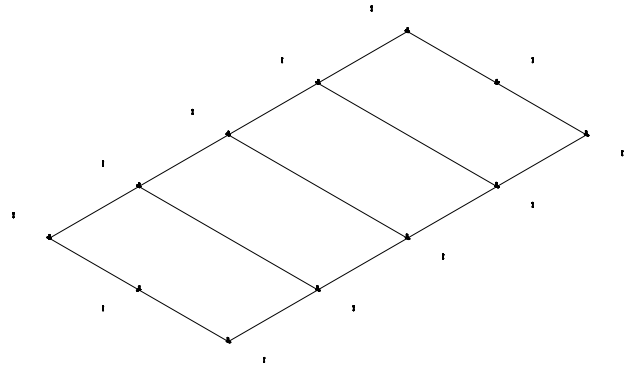


# Installation Procedure:

## Tilt-Up Design

### Step 1:

Mark all the baseplate locations with paint or chalk. Secure each baseplate to ground with 1"x36" stakes. Also install the stakes for the guylines at this time. Drive your anchor stakes straight through the ring on the inline ratchet assembly and into the ground at a distance equal to the leg height of the tent. Drive the 42" stake so all but 2" is embedded.

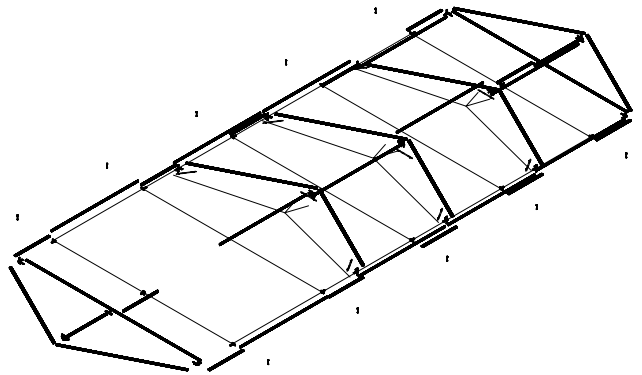


### NOTICE

The anchoring devices included with the purchase of this tent will not be suitable for every application or ground condition. It is the installers responsibility to confirm that the anchoring devices used will support the recommended resistance load requirements specified in the appendix of this manual. Additional or different types of anchors may be needed depending on ground conditions.

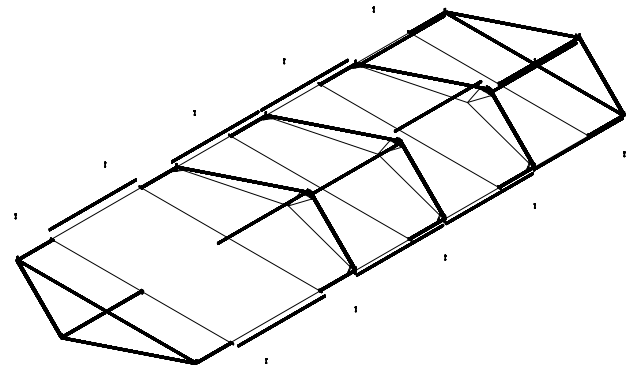
### Step 2:

Lay out the parts of the tent in place so they are easy to access. See the specific diagram for your size of tent in the pages following the instructions.



### Step 3:

Assemble the main arches. Start by connecting the leg to the baseplate and Side "T" to the leg. Next, install the JT3 Rafter to the eave on one end and the crown fitting on the other. Follow with the other rafter, eave fitting and leg. Connect the crown brace to the beam arch on all intermediate arches. Next, connect the assembly cable to the crown brace and finally connect the assembly cable to the eave fitting. Connect wall and roof cables to the crown and eave fittings.

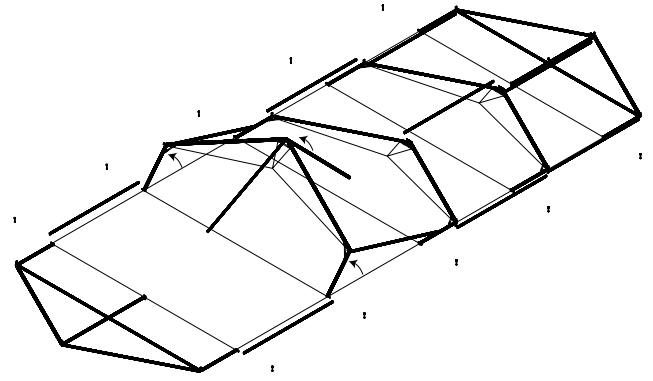


\*\*The Jumbotrac design features a push button design in which no tools are required for frame assembly. Installers should wear gloves during installation to avoid pinching during the fitting to pipe connection.

**Step 4:**

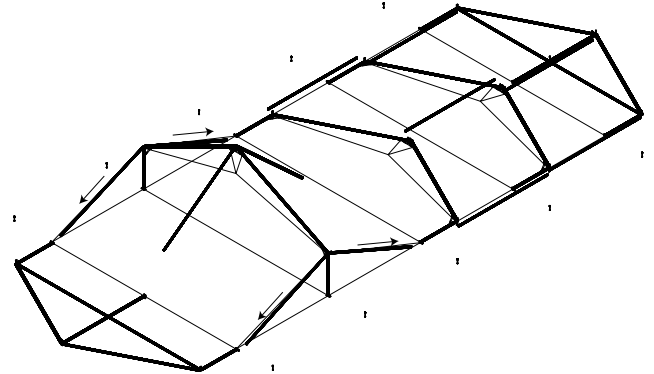
Begin tilting up beams by starting with the second arch. You can use the ridge purlin to help push the beam vertical. Secure the wall cables to the opposing baseplates. Install and pin the eave purlins into the side "T" fittings. Connect the shackles to the baseplates to secure the leg into location.

Note one 20' Bays" At this time you should also install the JT Slide TopTee with bolt in the center of the ridge purlin and tighten the bolt. The intermediate rafters should be attached and pinned to the JT Slide TopTee before the ridge purlins are fully raised to avoid making this connection once the ridge purlins are fully raised. If you do not make this connection until after the purlins are raised you will need a large ladder to be able to reach this connection (On 40' Tent with 8' legs the ridge height is just over 18'). Once the ridge purlins and eave purlins are in position the JT SideTee Add Rafter fitting can be pinned to the mid-rafter and saddled over the center of the eave purlin on the bottom.



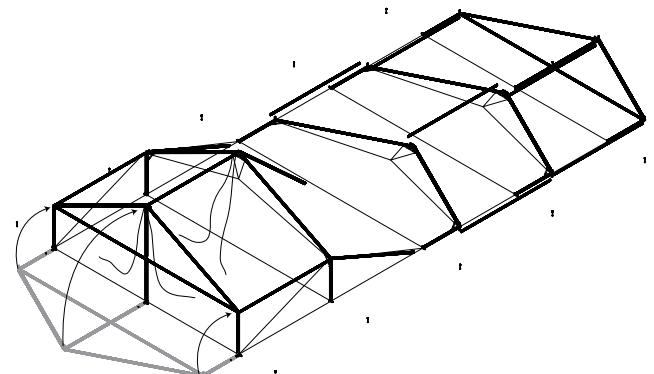
**Step 5**

Secure first beam arch.



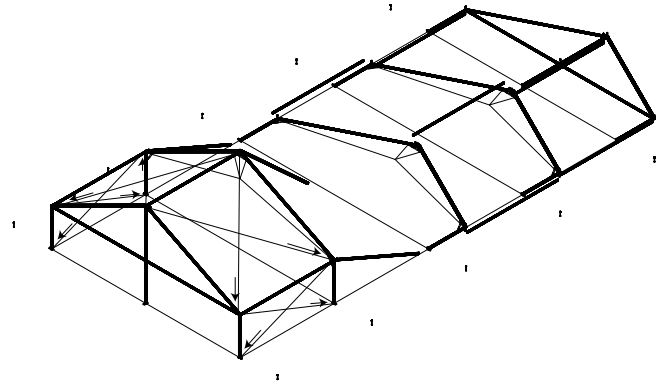
**Step 6:**

Push up the end beam arch and use the purlin tool to raise the ridge purlin and connect into the gable end fitting. Lift, connect and pin the eave purlins into the gable corner fittings.



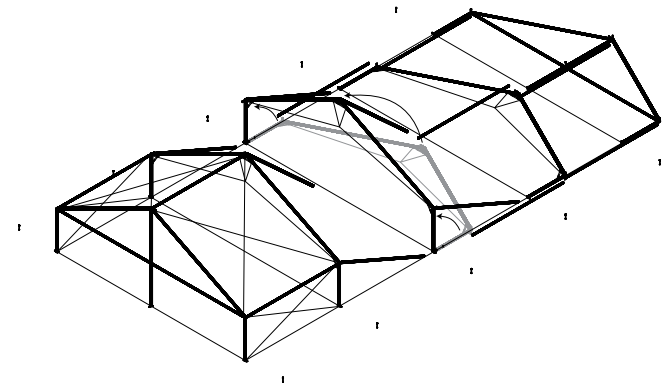
**Step 7:**  
Install and secure roof and wall cables on end bay.

Build subsequent mid section framing. Connect eave purlins for the next bay and pin into location. The ridge purlin should be pinned in on the ground and is used to help push up the beam. Continue to tilt up remaining arches and connect purlins as you go.

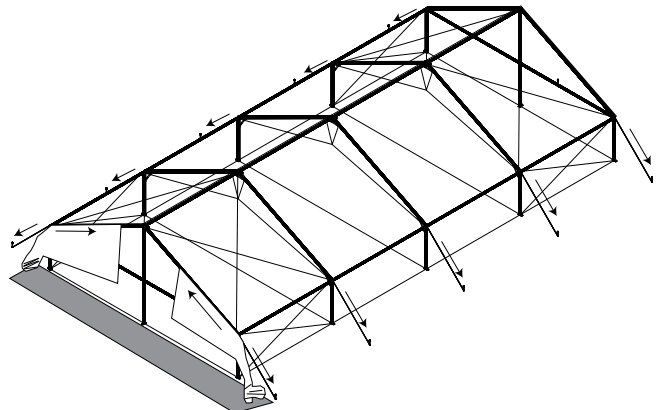


**Step 8:**  
Tilt up remaining beam arches.

Once the final beam has been connected with purlins, connect roof and wall cables. Install and pin gable eave purlins. Secure gable baseplates to the ground with 36" stakes.



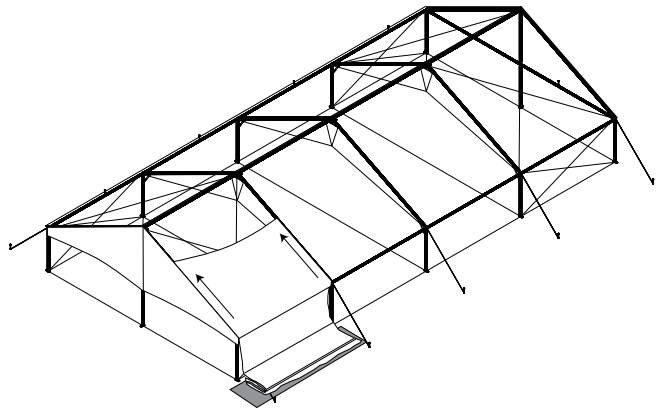
**Step 9:**  
Tighten guy ratchets to the guy out stakes.  
Install gable end panels. The gable end fabric is a 2 piece assembly that is sealed with velcro in the center. Lay out ground cloths under the area to open the tent fabric. Throw one rope over the end frame and tie to the pull ring at the top of the gable panel. With the glossy side of the fabric facing outward start feeding the kedered end of the panel into the JT3 Rafter track. Pull the panel up and over the the beam assembly. As the panel is pulled toward the center and upward you will need a ladder to pull the gable section to the top. Now install the other half of the gable panel, connect the ring/hook at the top near the keder, and seam the velcro sections together. At this time also connect the buckle at the perimeter area to connect the two sections together



**Step 10:**

Install middle fabric panels. Lay out ground cloths under the area to open the tent fabric. Throw two ropes over the mid frame and tie to the pull strap on the end of the panel. With the glossy side of the fabric facing upward start feeding the ends of the panel into the JT3 Rafter tracks. Once the panel is started the pull ropes can be pulled evenly to pull the fabric up and over the frame. This will require a four (4) person team. One (1) pulling each of the pull ropes and (1) guiding the fabric into the channel on the opposite side. Continue with all the middle panels.

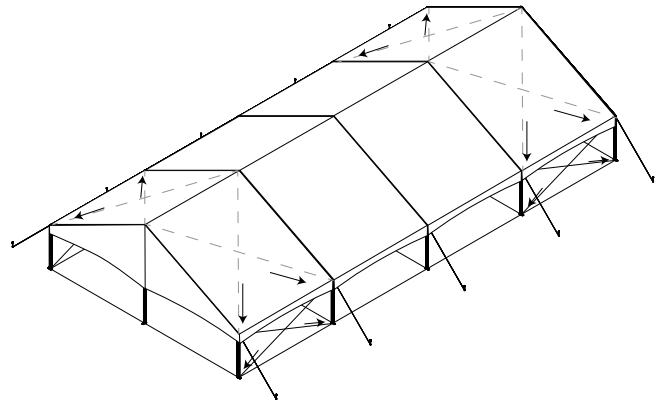
**Note:** Optional Jumbotrac Keder Feeders can be utilized to help guide the fabric panel into the beam and lessen the labor requirement to feed panels into the keder opening.



**Step 11:**

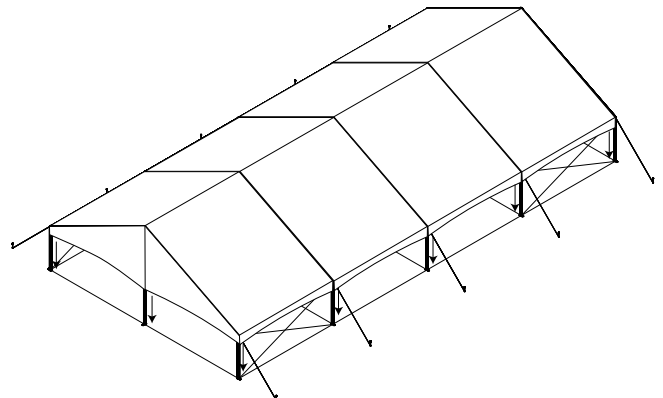
Tighten wall and roof cables at each end bay.

**Note:** Roof and wall cables are required on each end bay and shall also be added after 60' of continuous non-cabled bays.



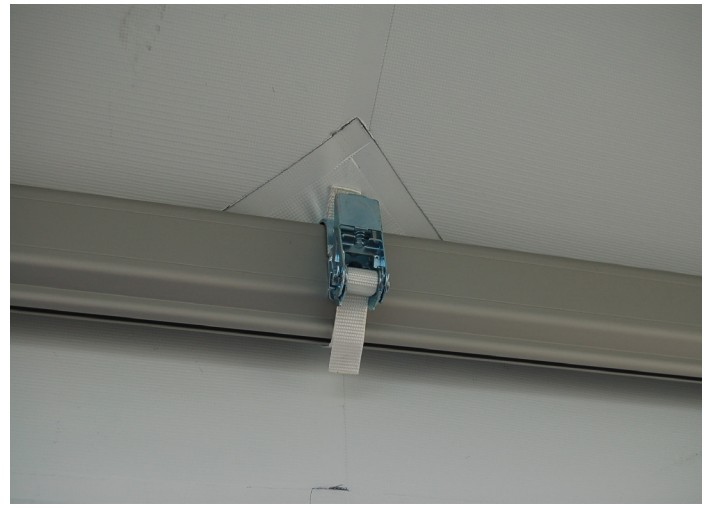
**Step 12:**

Tension the tent top. At each leg you will need to apply tension down to the baseplate to ensure the proper fit and performance. Each tent top section ends with a 2" D-Ring and a 1/4" braided rope extends out from the valance hem. The round ring on the end of this rope **MUST** be passed through the D-Ring on the adjoining fabric section and then down toward the baseplate. Use the included 1" tensioning ratchets to "hook" both of the round rings of the adjoining sections and tension toward the baseplate.





**Step 13:**  
Install the Midspan Tensioners around the eave of the tent for all roof panels. The mid span tensioner is placed over the eave at the mid-point between two legs and connected to the strap that is permanently affixed to the roof panel.



# Jumbotrac® 20x Kit Options

## 20'x20'x8' Hip Ends

1	20x20 2pc. Jumbotrac Top w/ 6 Ratchet Tensioners	Z22120CE2002
2	JT Hip Crown 8-Way	Z298F00010
4	JT Hip Corner	Z298F00040
2	JT Standard "T"- W/Cap	Z298F00110
6	JT Baseplate	Z298F00180
1	JT Assembly Cable 20X	Z298F00200
2	Mid-Span Tensioner	Z298F00210
6	Jumbotrac JT3 7'8" Leg Beam	Z298JT307008
2	Jumbotrac JT3 10'6"	Z298JT31006
4	Jumbotrac JT1 14'4"	Z298JT11404
2	Jumbotrac JT1 19'4"	Z298JT11904
4	Jumbotrac JT1 9'4"	Z298JT10904
7	JT Brace 2'	Z298F00310
6	1"x42" Double Headed Stake	Z51100070
6	1" Inline Ratchet w/10' Web Guy	Z39900280
1	Festival Fabric Tool	Z29700250

## 20'x20'x8' Gable End

2	20x Jumbotrac Gable End w/ 2 Ratchet Tensioners	Z22120GABLES02
1	20x20 Mid Jumbotrac Top w/ 2 Ratchet Tensioners	Z22120CM2002
2	JT Gable Crown	Z298F00030
2	JT Gable Corner Left	Z298F00050
2	JT Gable Corner Right	Z298F00060
4	JT Baseplate	Z298F00180
4	JT Roof Cable 20x20- 22'7"	Z298F00240
2	Mid-Span Tensioner	Z298F00210
4	Jumbotrac JT3 7'8" Leg Beam	Z298JT30708
4	Jumbotrac JT3 10'6"	Z298JT31006
3	Jumbotrac JT1 19'4"	Z298JT11904
2	Jumbotrac JT1 19'4" Special Cut	Z298JT11904S
4	1"x42" Double Headed Stake	Z51100070
2	JT Brace 2'	Z298F00310
4	1" Inline Ratchet w/10' Web Guy	Z39900280
4	JT Lower Cable 8'x20' Bay- 21'2"	Z298F00296
2	10'6" - 2" Pipe	Z299P21006
1	Jumbotrac Slide Top Tee w/ Bolt	Z298F00173
2	Jumbotrac Slide Tee- Add Rafter	Z298F00174
4	Acadapin/Assembly Pin	Z299F00160

## 20'x20'x8' Extension Mid

1	20x20 Mid Jumbotrac Top w/ 2 Ratchet Tensioners	Z22120CM2002
1	JT Center Crown	Z298F00020
2	JT Special "T"- W/Cap	Z298F00130
2	JT Baseplate	Z298F00180
1	JT Assembly Cable 20x	Z298F00200
2	Mid-Span Tensioner	Z298F00210
2	Jumbotrac JT3 7'8" Leg Beam	Z298JT30708
2	Jumbotrac JT3 10'6"	Z298JT31006
3	Jumbotrac JT1 19'4"	Z298JT11904
3	JT Brace 2'	Z298F00310
2	1"x42" Double Headed Stake	Z51100070
2	2" Inline Ratchet w/12' Web Guy	Z39900290
2	10' 6" - 2" Pipe	Z299P21006
1	Jumbotrac Slide Top Tee w/ Bolt	Z298F00173
2	Jumbotrac Slide Tee- Add Rafter	Z298F00174
4	Acadapin/Assembly Pin	Z299F00160

## 20'x15'x8' Extension Mid

1	20x15 Mid Jumbotrac Top w/ 2 Ratchet Tensioners	Z22120CM1502
1	JT Center Crown	Z298F00020
2	JT Special "T"- W/Cap	Z298F00130
2	JT Baseplate	Z298F00180
1	JT Assembly Cable 40x	Z298F00220
2	Mid-Span Tensioner	Z298F00210
2	Jumbotrac JT3 7'8" Leg Beam	Z298JT30708
2	Jumbotrac JT3 10'6"	Z298JT31006
3	Jumbotrac JT1 14'4"	Z298JT11404
3	JT Brace 2'	Z298F00310
2	1"x42" Double Headed Stake	Z51100070
2	2" Inline Ratchet w/12' Web Guy	Z39900290

## 20'x10'x8' Extension Mid

1	20x10 Mid Jumbotrac Top w/ 2 Ratchet Tensioners	Z22120CM1002
1	JT Center Crown	Z298F00020
2	JT Standard "T"- W/Cap	Z298F00110
2	JT Baseplate	Z298F00180
1	JT Assembly Cable 20x	Z298F00200
2	Mid-Span Tensioner	Z298F00210
2	Jumbotrac JT3 7'8" Leg Beam	Z298JT30708
2	Jumbotrac JT3 10'6"	Z298JT31006
3	Jumbotrac JT1 9'4"	Z298JT10904
3	JT Brace 2'	Z298F00310
2	1"x42" Double Headed Stake	Z51100070
2	1" Inline Ratchet w/10' Web Guy	Z298F00296

# Jumbotrac® 30x Kit Options

## 30'x30'x8' Hip Ends

1	30x30 2pc. Jumbotrac Top w/ 8 Ratchet Tensioners	Z22130CE3002
2	JT Hip Crown 8-Way	Z298F00010
4	JT Hip Corner	Z298F00040
2	JT Standard "T"- W/Cap	Z298F00110
2	JT Standard "T"- NO Cap	Z298F00100
4	JT Hip Intermediate	Z298F00160
8	JT Baseplate	Z298F00180
1	JT Assembly Cable 30X	Z298F00210
8	Mid-Span Tensioner	Z298F00210
8	Jumbotrac JT3 7'8" Leg Beam	Z298JT30708
2	Jumbotrac JT3 16'1"	Z298JT31601
8	Jumbotrac JT1 14'4"	Z298JT11404
2	Jumbotrac JT1 16'1"	Z298JT11601
4	Jumbotrac JT1 21'10"	Z298JT12110
9	JT Brace 2'	Z298F00310
8	1"x42" Double Headed Stake	Z51100070
8	2" Inline Ratcher w/12' Web Guy	Z39900290
1	Festival Fabric Tool	Z29700250

## 30'x20'x8' Gable End

2	30x Jumbotrac Gable End w/ 3 Ratchet Tensioners	Z22130GABLES02
1	30x20 Mid Jumbotrac Top w/ 2 Ratchet Tensioners	Z22130CM2002
2	JT Gable Crown	Z298F00030
2	JT Gable Corner Left	Z298F00050
2	JT Gable Corner Right	Z298F00060
2	JT Gable Tee (Universal)	Z298F00070
6	JT Baseplate	Z298F00180
4	JT Roof Cable 30x20- 25'9"	Z298F00270
2	Mid-Span Tensioner	Z298F00210
6	Jumbotrac JT3 7'8" Leg Beam	Z298JT30708
4	Jumbotrac JT3 16'1"	Z298JT31601
3	Jumbotrac JT1 19'4"	Z298JT11904
4	Jumbotrac JT1 14'4" Special Cut	Z298JT11404
6	1"x42" Double Headed Stake	Z51100070
6	2" Inline Ratcher w/12' Web Guy	Z39900290
2	Jumbotrac JT1 7'1"	Z298JT10701
4	JT Lower Cable 8'x20' Bay- 21'2"	Z298F00296
2	16'1" - 2" Pipe	Z299P21601
1	Jumbotrac Slide Top Tee w/ Bolt	Z298F00173
2	Jumbotrac Slide Tee- Add Rafter	Z298F00174
4	Acadapin/Assembly Pin	Z299F00160

## 30'x20'x8' Extension Mid

1	30x20 Mid Jumbotrac Top w/ 2 Ratchet Tensioners	Z22130CM2002
1	JT Center Crown	Z298F00020
2	JT Special "T"- W/Cap	Z298F00130
2	JT Baseplate	Z298F00180
1	JT Assembly Cable 30x	Z298F00210
2	Mid-Span Tensioner	Z298F00210
2	Jumbotrac JT3 7'8" Leg Beam	Z298JT30708
2	Jumbotrac JT3 16'1"	Z298JT31601
3	Jumbotrac JT1 19'4"	Z298JT11904
3	JT Brace 2'	Z298F00310
2	1"x42" Double Headed Stake	Z51100070
2	2" Inline Ratchet w/12' Web Guy	Z39900290
2	16'1" - 2" Pipe	Z299P21601
1	Jumbotrac Slide Top Tee w/ Bolt	Z298F00173
2	Jumbotrac Slide Tee- Add Rafter	Z298F00174
4	Acadapin/Assembly Pin	Z299F00160

## 30'x15'x8' Extension Mid

1	30x15 Mid Jumbotrac Top w/ 2 Ratchet Tensioners	Z22130CM1502
1	JT Center Crown	Z298F00020
2	JT Special "T"- W/Cap	Z298F00130
2	JT Baseplate	Z298F00180
1	JT Assembly Cable 30x	Z298F00210
2	Mid-Span Tensioner	Z298F00210
2	Jumbotrac JT3 7'8" Leg Beam	Z298JT30708
2	Jumbotrac JT3 16'1"	Z298JT31601
3	Jumbotrac JT1 14'4"	Z298JT11404
3	JT Brace 2'	Z298F00310
2	1"x42" Double Headed Stake	Z51100070
2	2" Inline Ratchet w/12' Web Guy	Z39900290

## 30'x10'x8' Extension Mid

1	30x10 Mid Jumbotrac Top w/ 2 Ratchet Tensioners	Z22130CM1002
1	JT Center Crown	Z298F00020
2	JT Special "T"- W/Cap	Z298F00130
2	JT Baseplate	Z298F00180
1	JT Assembly Cable 30x	Z298F00210
2	Mid-Span Tensioner	Z298F00210
2	Jumbotrac JT3 7'8" Leg Beam	Z298JT30708
2	Jumbotrac JT3 16'1"	Z298JT31601
3	Jumbotrac JT1 9'4"	Z298JT10904
3	JT Brace 2'	Z298F00310
2	1"x42" Double Headed Stake	Z51100070
2	2" Inline Ratchet w/12' Web Guy	Z39900290

# Jumbotrac® 40x Kit Options

## 40'x40'x8' Hip Ends

1	40x40 2pc. Jumbotrac Top w/ 8 Ratchet Tensioners	Z22140CE4002
2	JT Hip Crown 8-Way	Z298F00010
4	JT Hip Corner	Z298F00040
2	JT Special "T"- W/Cap	Z298F00130
2	JT Special "T"- No Cap	Z298F00120
4	JT Hip Intermediate	Z298F00160
8	JT Baseplate	Z298F00180
1	JT Assembly Cable 40X	Z298F00220
8	Mid-Span Tensioner	Z298F00210
8	Jumbotrac JT3 7'8" Leg Beam	Z298JT30708
2	Jumbotrac JT3 21'10"	Z298JT32110
16	Jumbotrac JT1 14'4"	Z298JT11404
8	Jumbotrac JT1 19'4"	Z298JT11904
2	Jumbotrac JT1 21'10"	Z298JT12110
9	JT Brace 2'	Z298F00310
8	1"x42" Double Headed Stake	Z51100070
8	2" Inline Ratcher w/12' Web Guy	Z39900290
1	Festival Fabric Tool	Z29700250

## 40'x20'x8' Gable End

2	40x Jumbotrac Gable End w/ 3 Ratchet Tensioners	Z22140GABLES02
1	40x20 Mid Jumbotrac Top w/ 2 Ratchet Tensioners	Z22140CM2002
2	JT Gable Crown	Z298F00030
2	JT Gable Corner Left	Z298F00050
2	JT Gable Corner Right	Z298F00060
2	JT Gable Tee (Universal)	Z298F00070
6	JT Baseplate	Z298F00180
4	JT Roof Cable 40x20- 29'9"	Z298F00280
2	Mid-Span Tensioner	Z298F00210
6	Jumbotrac JT3 7'8" Leg Beam	Z298JT30708
4	Jumbotrac JT3 21'10"	Z298JT32110
3	Jumbotrac JT1 19'4"	Z298JT11904
4	Jumbotrac JT1 19'4" Special Cut	Z298JT11904S
6	1"x42" Double Headed Stake	Z51100070
6	2" Inline Ratcher w/12' Web Guy	Z39900290
2	Jumbotrac JT1 9'10"	Z298JT10910
4	JT Lower Cable 8'x20' Bay- 21'2"	Z298F00296
2	21'10" - 2" Pipe	Z299P22110
1	Jumbotrac Slide Top Tee w/ Bolt	Z298F00173
2	Jumbotrac Slide Tee- Add Rafter	Z298F00174
4	Acadapin/Assembly Pin	Z299F00160

## 40'x20'x8' Extension Mid

1	40x20 Mid Jumbotrac Top w/ 2 Ratchet Tensioners	Z22140CM2002
1	JT Center Crown	Z298F00020
2	JT Special "T"- W/Cap	Z298F00130
2	JT Baseplate	Z298F00180
1	JT Assembly Cable 40x	Z298F00220
2	Mid-Span Tensioner	Z298F00210
2	Jumbotrac JT3 7'8" Leg Beam	Z298JT30708
2	Jumbotrac JT3 21'10"	Z298JT32110
3	Jumbotrac JT1 19'4"	Z298JT11904
3	JT Brace 2'	Z298F00310
2	1"x42" Double Headed Stake	Z51100070
2	2" Inline Ratchet w/12' Web Guy	Z39900290
2	21'10" - 2" Pipe	Z299P22110
1	Jumbotrac Slide Top Tee w/ Bolt	Z298F00173
2	Jumbotrac Slide Tee- Add Rafter	Z298F00174
4	Acadapin/Assembly Pin	Z299F00160

## 40'x15'x8' Extension Mid

1	40x15 Mid Jumbotrac Top w/ 2 Ratchet Tensioners	Z22140CM1502
1	JT Center Crown	Z298F00020
2	JT Special "T"- W/Cap	Z298F00130
2	JT Baseplate	Z298F00180
1	JT Assembly Cable 40x	Z298F00220
2	Mid-Span Tensioner	Z298F00210
2	Jumbotrac JT3 7'8" Leg Beam	Z298JT30708
2	Jumbotrac JT3 21'10"	Z298JT32110
3	Jumbotrac JT1 14'4"	Z298JT11404
3	JT Brace 2'	Z298F00310
2	1"x42" Double Headed Stake	Z51100070
2	2" Inline Ratchet w/12' Web Guy	Z39900290

## 40'x10'x8' Extension Mid

1	40x10 Mid Jumbotrac Top w/ 2 Ratchet Tensioners	Z22140CM1002
1	JT Center Crown	Z298F00020
2	JT Special "T"- W/Cap	Z298F00130
2	JT Baseplate	Z298F00180
1	JT Assembly Cable 40x	Z298F00220
2	Mid-Span Tensioner	Z298F00210
2	Jumbotrac JT3 7'8" Leg Beam	Z298JT30708
2	Jumbotrac JT3 21'10"	Z298JT32110
3	Jumbotrac JT1 9'4"	Z298JT10904
3	JT Brace 2'	Z298F00310
2	1"x42" Double Headed Stake	Z51100070
2	2" Inline Ratchet w/12' Web Guy	Z39900290

# Jumbotrac® 50x Kit Options

## 50'x50'x8' Hip Ends

1	50x50 2pc. Jumbotrac Top w/ 16 Ratchet Tensioners	Z22150CE5002
2	JT Hip Crown 8-Way	Z298F00010
4	JT Hip Corner	Z298F00040
2	JT Standard "T"- W/Cap	Z298F00110
10	JT Standard "T"- No Cap	Z298F00100
4	JT Hip Intermediate (50X)	Z298F00170
2	JT Center Int. (50X W/Cap)	Z298F00140
2	JT Center Int. (50X No Cap)	Z298F00150
16	JT Baseplate	Z298F00180
1	JT Assembly Cable 50X	Z298F00230
16	Mid-Span Tensioner	Z298F00210
16	Jumbotrac JT3 7'8" Leg Beam	Z298JT307008
2	Jumbotrac JT3 10'6"	Z298JT31006
2	Jumbotrac JT3 16'1"	Z298JT31601
16	Jumbotrac JT1 9'4"	Z298JT10904
2	Jumbotrac JT1 10'6"	Z298JT11006
12	Jumbotrac JT1 14'4"	Z298JT11404
10	Jumbotrac JT1 16'1"	Z298JT11601
4	Jumbotrac JT1 21'10"	Z298JT12110
17	JT Brace 2'	Z298F00310
16	1"x42" Double Headed Stake	Z51100070
16	2" Inline Ratcher w/12' Web Guy	Z39900290
1	Festival Fabric Tool	Z29700250

## 50'x15'x8' Gable End

2	50x Jumbotrac Gable End w/ 5 Ratchet Tensioners	Z22150GABLES02
1	50x15 Mid Jumbotrac Top w/ 2 Ratchet Tensioners	Z22150CM1502
2	JT Gable Crown	Z298F00030
2	JT Gable Corner Left	Z298F00050
2	JT Gable Corner Right	Z298F00060
6	JT Gable Tee (Universal)	Z298F00070
2	JT Gable Int. (50X) Left	Z298F00080
2	JT Gable Int. (50X) Right	Z298F00090
10	JT Baseplate	Z298F00180
4	JT Roof Cable 20x15- 18'5"	Z298F00250
2	Mid-Span Tensioner	Z298F00210
10	Jumbotrac JT3 7'8" Leg Beam	Z298JT30708
4	Jumbotrac JT3 10'6"	Z298JT31006
4	Jumbotrac JT3 16'1"	Z298JT31601
4	Jumbotrac JT1 9'4"	Z298JT10904
2	Jumbotrac JT1 12'2"	Z298JT11202
5	Jumbotrac JT1 14'4"	Z298JT11404
4	Jumbotrac JT1 14'4" Special Cut	Z298JT11404S
4	1"x42" Double Headed Stake	Z51100070
4	2" Inline Ratcher w/12' Web Guy	Z39900290
4	Jumbotrac JT1 7'1"	Z298JT10701
4	JT Lower Cable 8'x15' Bay- 16'7"	Z298F00294
4	JT Roof Cable 30x15- 22'2"	Z298F00260

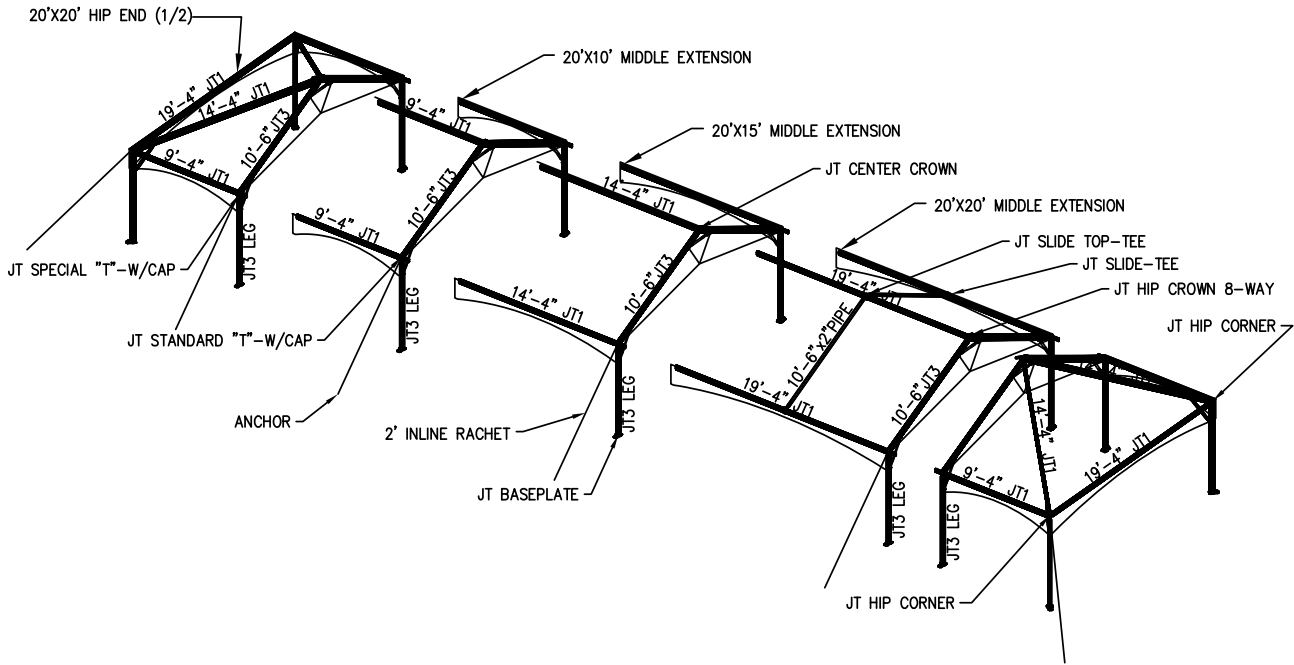
## 50'x15'x8' Extension Mid

1	50x15 Mid Jumbotrac Top w/ 2 Ratchet Tensioners	Z22150CM1502
1	JT Center Crown	Z298F00020
2	JT Standard "T"- W/Cap	Z298F00110
2	JT Center Int. (50X W/Cap)	Z298F00140
2	JT Baseplate	Z298F00180
1	JT Assembly Cable 50x	Z298F00230
2	Mid-Span Tensioner	Z298F00210
2	Jumbotrac JT3 7'8" Leg Beam	Z298JT30708
2	Jumbotrac JT3 10'6"	Z298JT31006
2	Jumbotrac JT3 16'1"	Z298JT31601
5	Jumbotrac JT1 14'4"	Z298JT11404
3	JT Brace 2'	Z298F00310
2	1"x42" Double Headed Stake	Z51100070
2	2" Inline Ratchet w/12' Web Guy	Z39900290

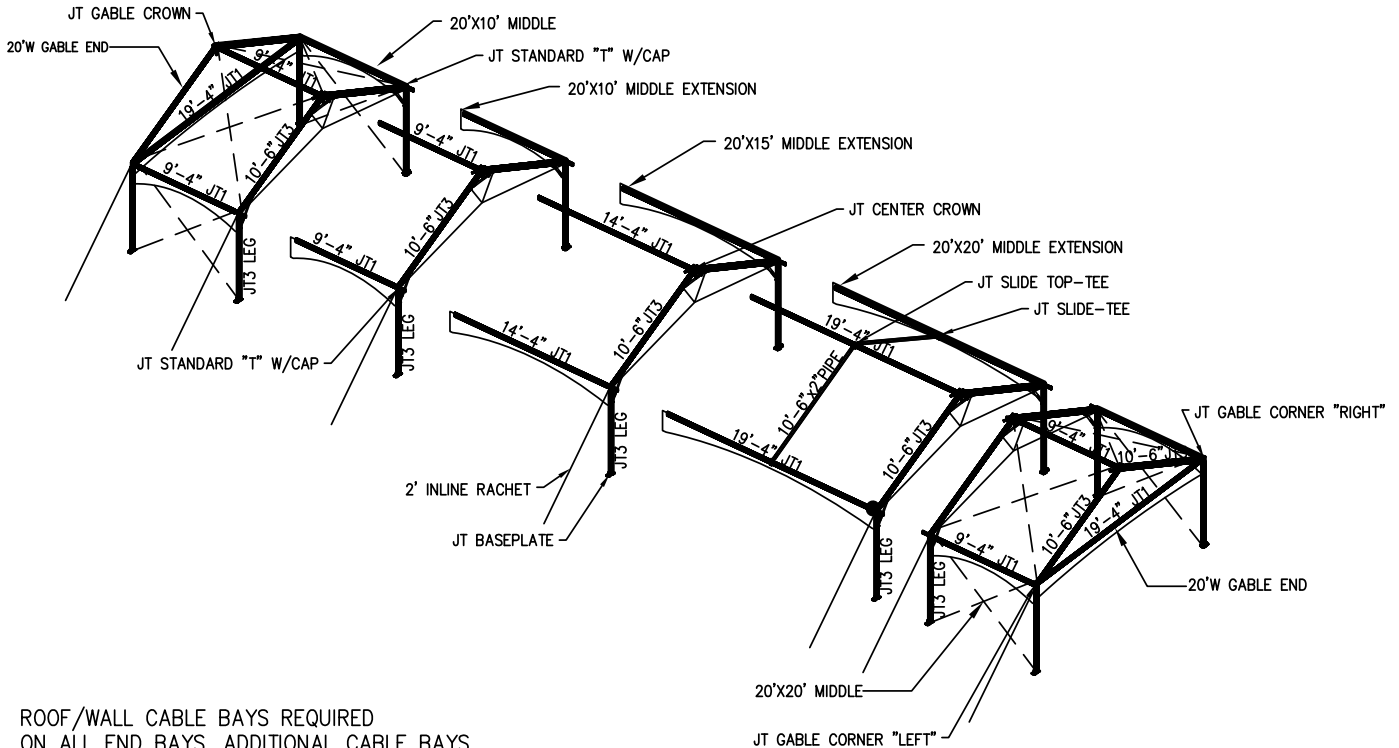
## 50'x10'x8' Extension Mid

1	50x10 Mid Jumbotrac Top w/ 2 Ratchet Tensioners	Z22150CM1002
1	JT Center Crown	Z298F00020
2	JT Standard "T"- W/Cap	Z298F00110
2	JT Center Int. (50X W/Cap)	Z298F00140
2	JT Baseplate	Z298F00180
1	JT Assembly Cable 50x	Z298F00230
2	Mid-Span Tensioner	Z298F00210
2	Jumbotrac JT3 7'8" Leg Beam	Z298JT30708
2	Jumbotrac JT3 10'6"	Z298JT31006
2	Jumbotrac JT3 16'1"	Z298JT31601
5	Jumbotrac JT1 9'4"	Z298JT10904
3	JT Brace 2'	Z298F00310
2	1"x42" Double Headed Stake	Z51100070
2	2" Inline Ratchet w/12' Web Guy	Z39900290

# Jumbotrac® 20x Hip Assembly Details



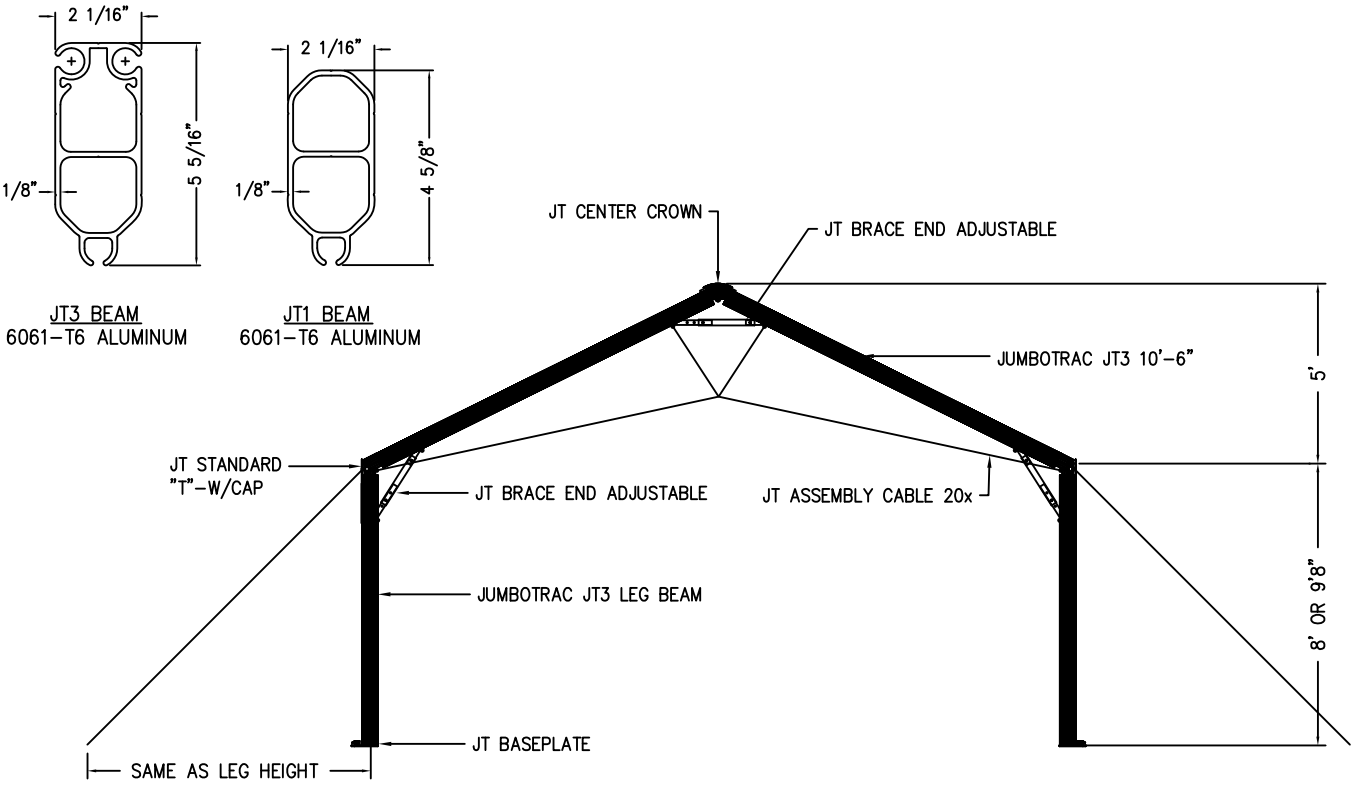
# Jumbotrac® 20x Gable Assembly Details



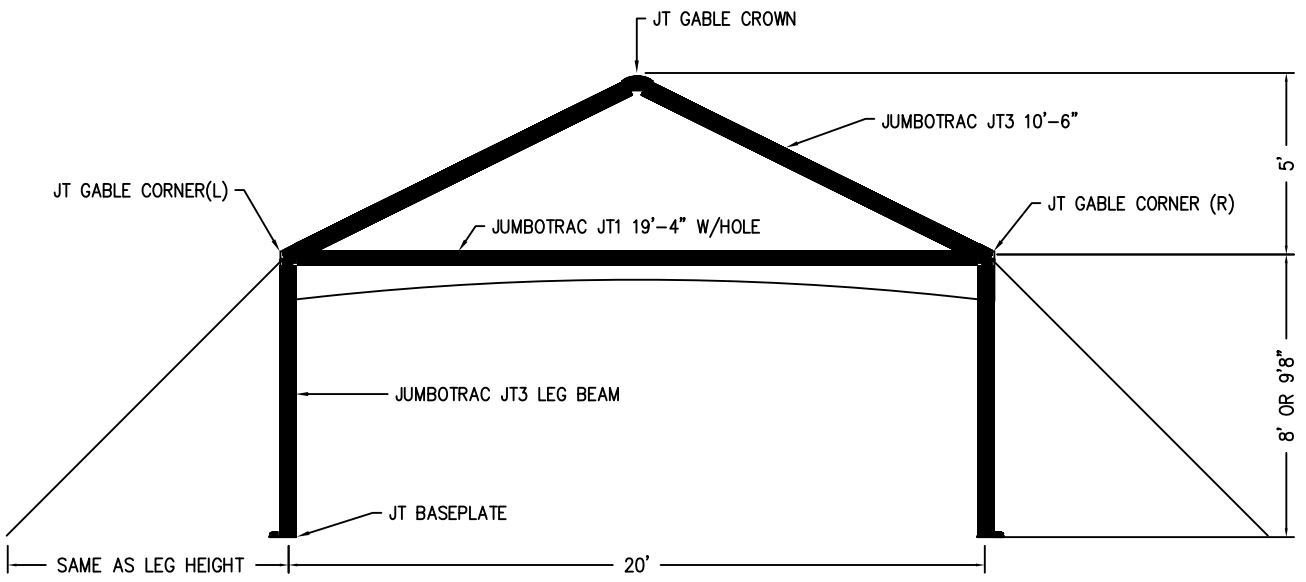
ROOF/WALL CABLE BAYS REQUIRED ON ALL END BAYS. ADDITIONAL CABLE BAYS SHALL ALSO BE ADDED AFTER 60' OF CONTINUOUS NON-CABLED BAYS.



# Jumbotrac® 20x Beam Details



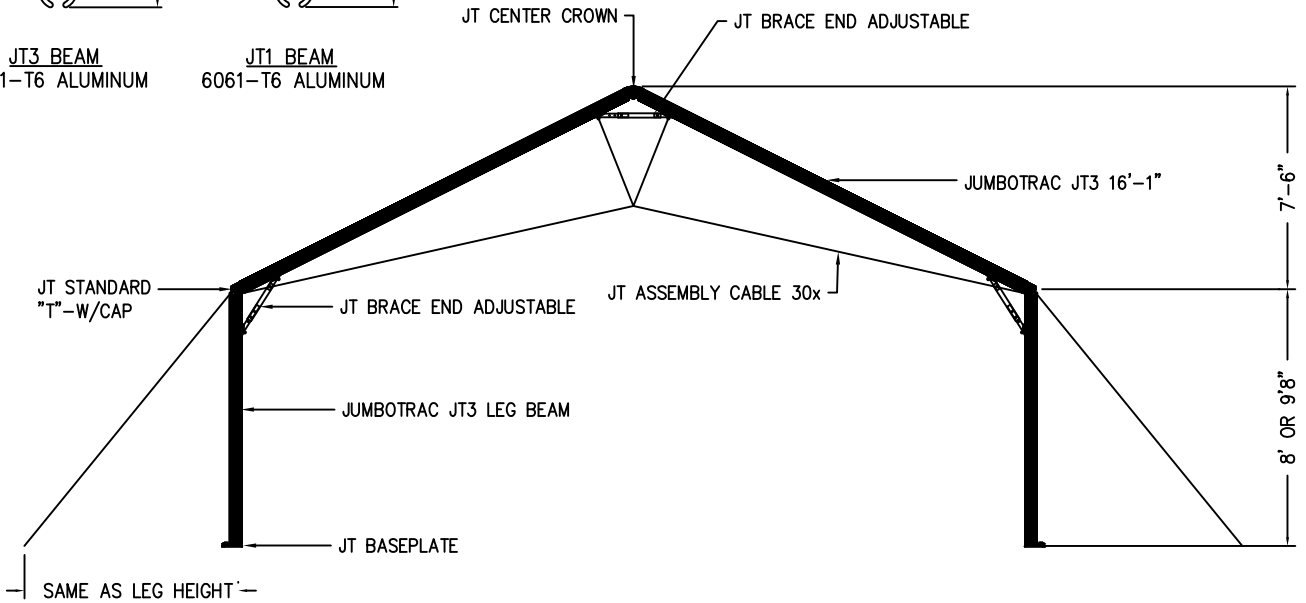
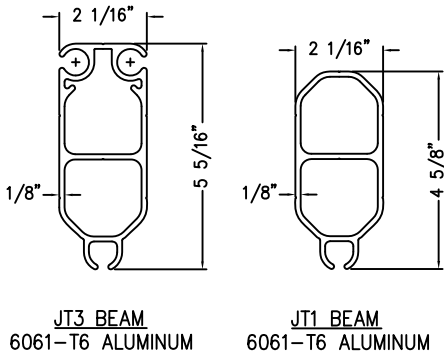
TYPICAL STANDARD CENTER BAY



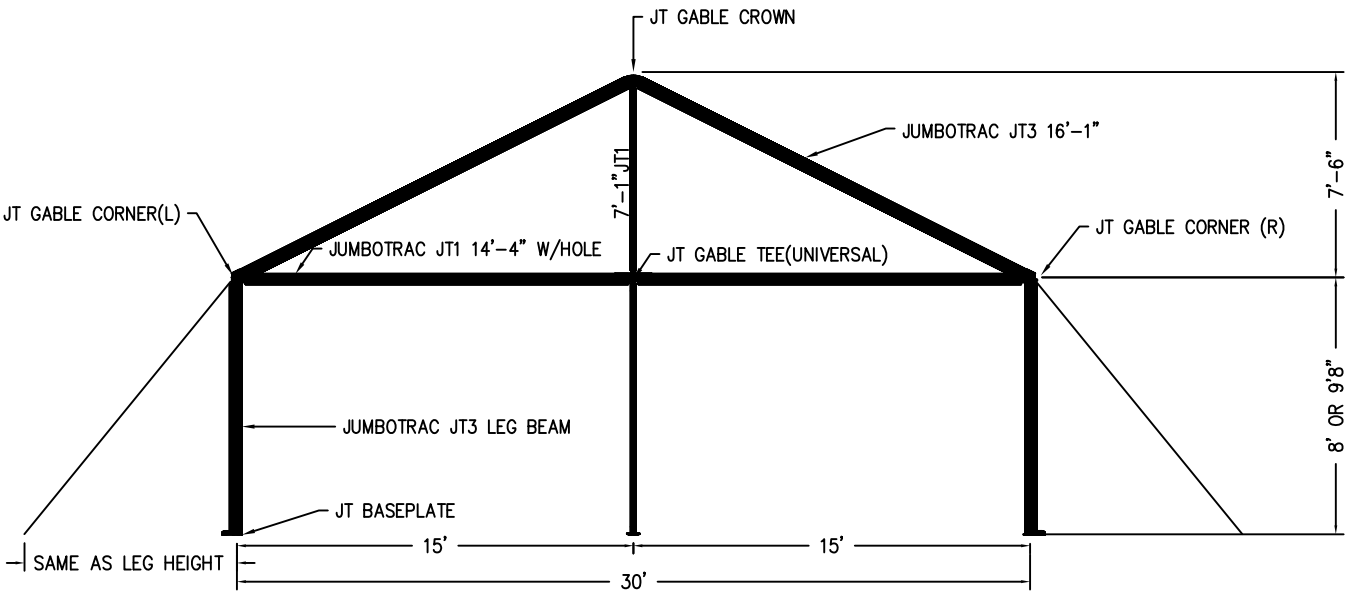
JUMBOTRAC GABLE END



# Jumbotrac® 30x Beam Details



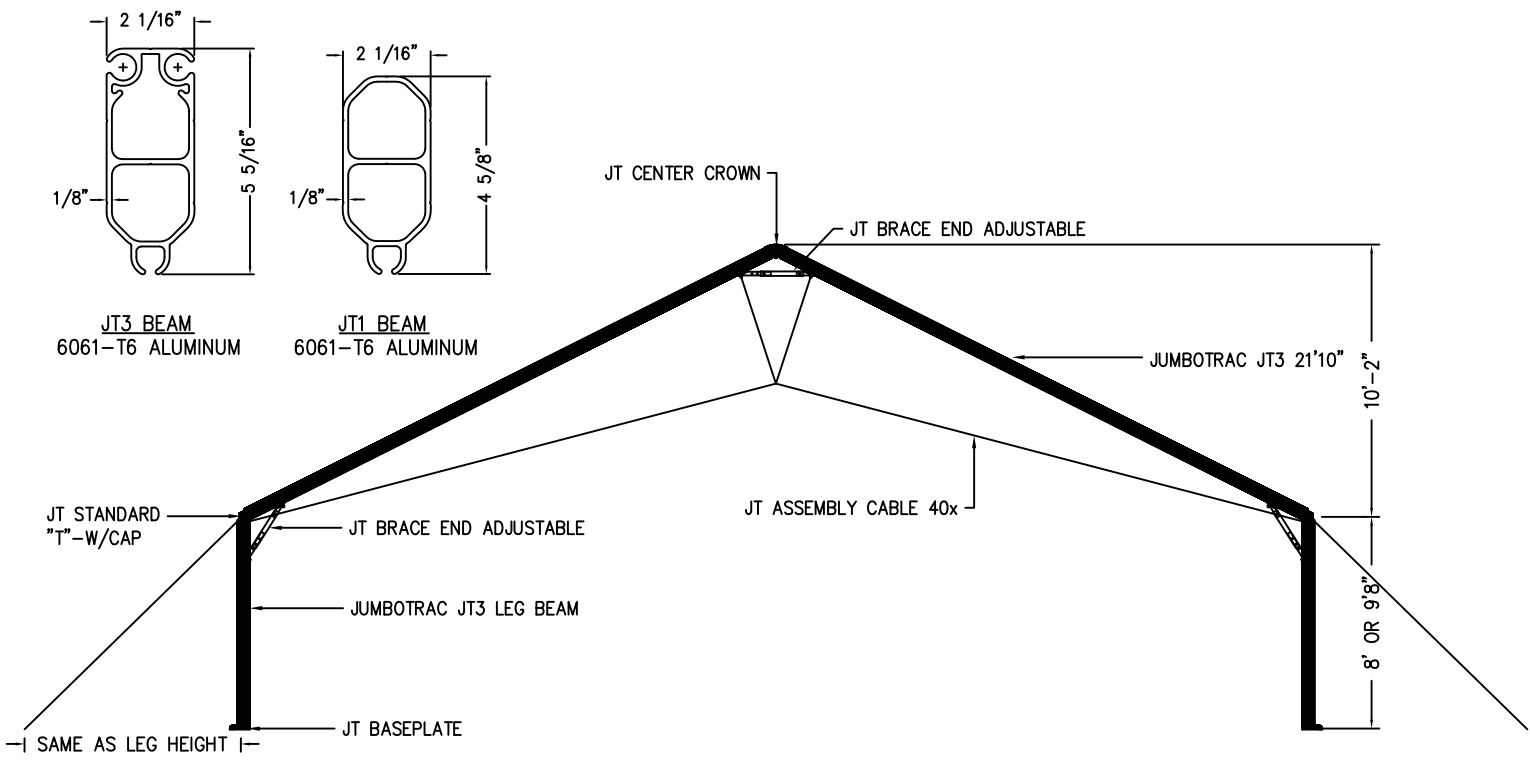
TYPICAL STANDARD CENTER BAY



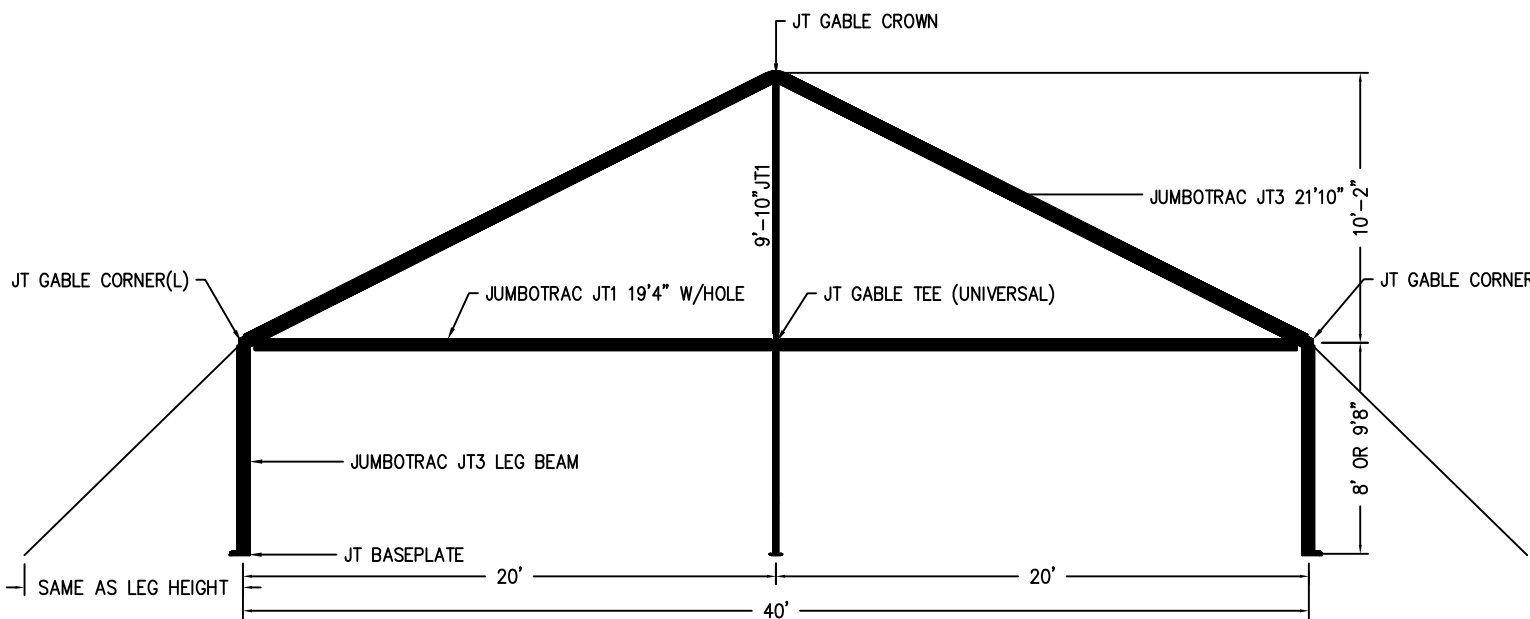
JUMBOTRAC GABLE END



# Jumbotrac® 40x Beam Details



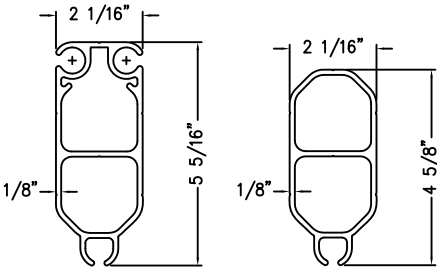
TYPICAL STANDARD CENTER BAY



JUMBOTRAC GABLE END

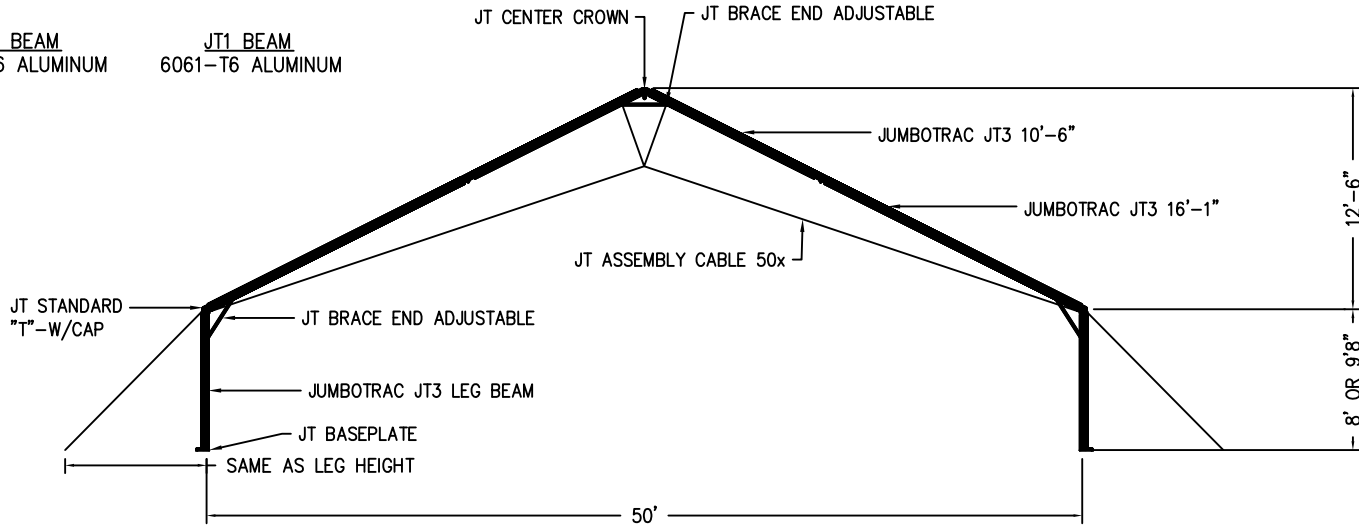


# Jumbotrac® 50x Beam Details

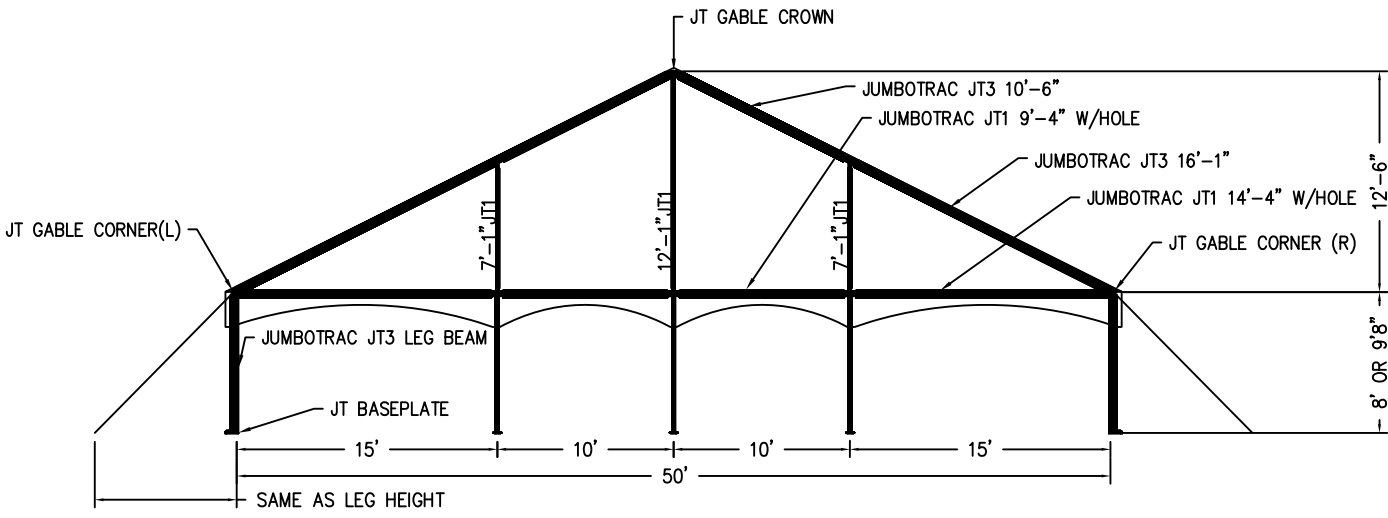


**JT3 BEAM**  
6061-T6 ALUMINUM

**JT1 BEAM**  
6061-T6 ALUMINUM



TYPICAL STANDARD CENTER BAY

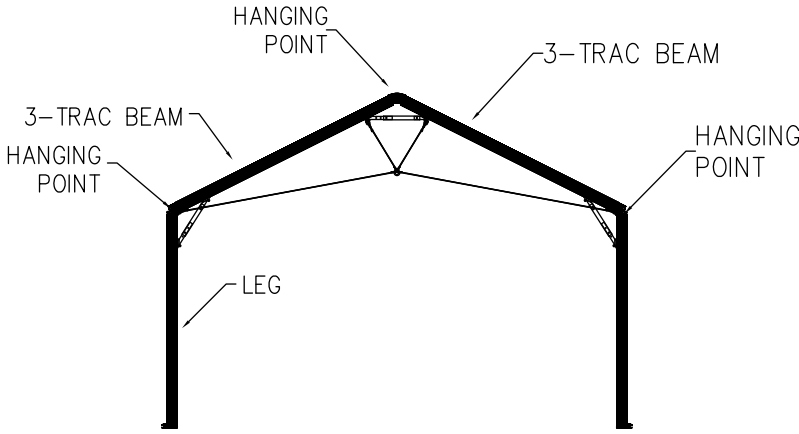


JUMBOTRAC GABLE END



# Jumbotrac® 20x Hanging Loads

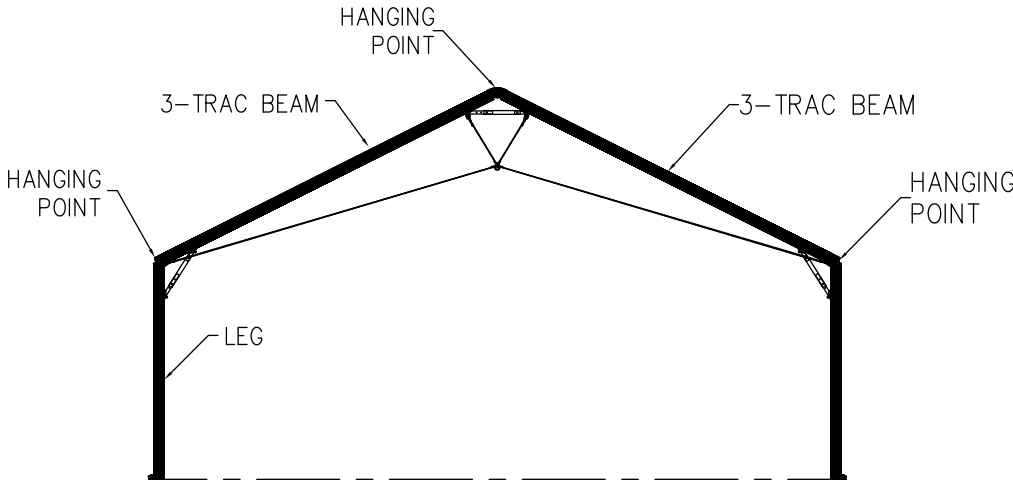
## JUMBOTRAC 20' HANGING POINTS—LOADS



MAXIMUM LOAD PER POINTS IS 50# NOT TO EXCEED 150# PER BEAM ARCH

# Jumbotrac® 30x Hanging Loads

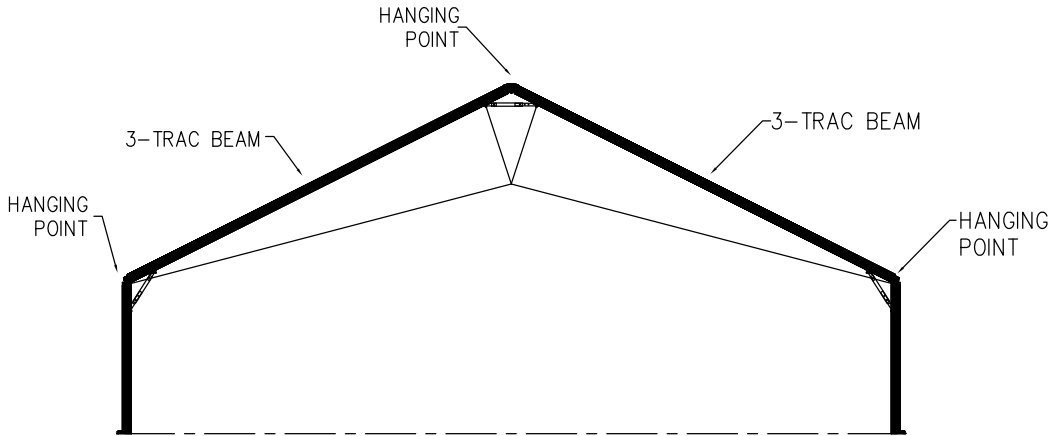
## JUMBOTRAC 30' HANGING POINTS—LOADS



MAXIMUM LOAD PER POINTS IS 50# NOT TO EXCEED 150# PER BEAM ARCH

# Jumbotrac® 40x Hanging Loads

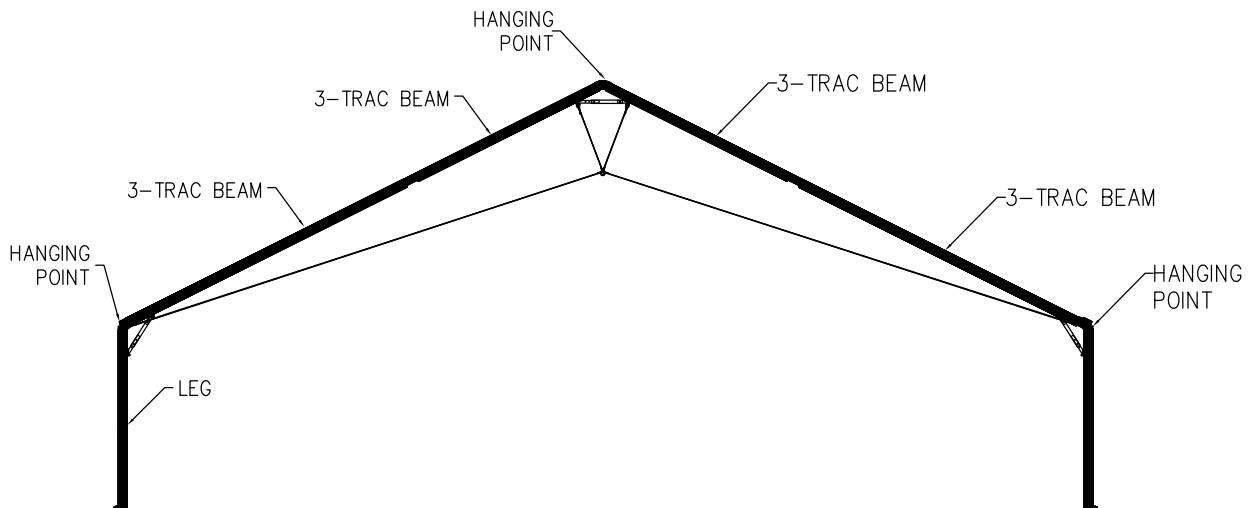
JUMBOTRAC 40'  
HANGING POINTS—LOADS



MAXIMUM LOAD PER POINTS IS 50# NOT TO EXCEED 150# PER BEAM ARCH

# Jumbotrac® 50x Hanging Loads

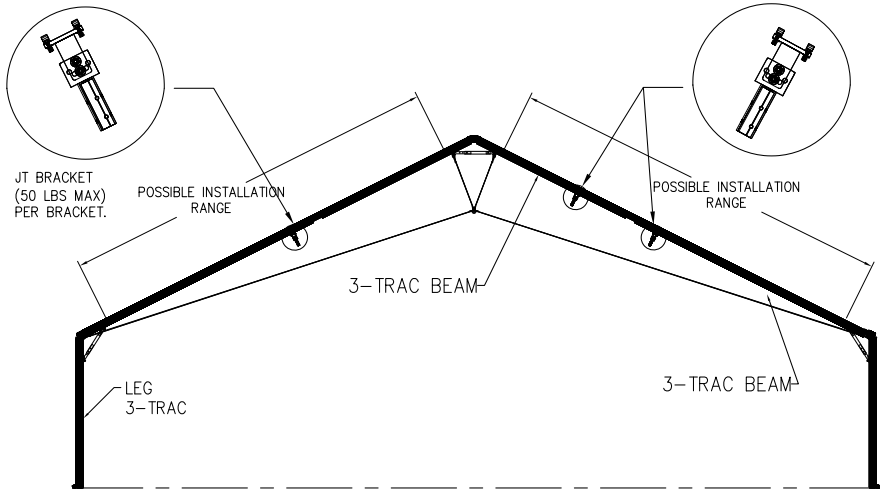
JUMBOTRAC 50'  
HANGING POINTS—LOADS



MAXIMUM LOAD PER POINTS IS 50# NOT TO EXCEED 150# PER BEAM ARCH

# Jumbotrac® Hanging Bracket 10x - 50x

JT HANGING BRACKET HANGING LOADS  
JUMBOTRAC FRAME TENT



MAXIMUM LOAD PER POINTS IS 50# NOT TO EXCEED 150# PER BEAM ARCH

\* SLIDE BRACKET INTO LOWER KEDER CHANNEL DURING THE FRAMING PROCESS BEFORE INSTALLING THE ASSEMBLY CABLE OR LEG BRACE. LOOSEN TENSION ON BOLTS TO SLIDE BRACKET TO DESIRED POSITION WITHIN THE INSTALLATION RANGE. ONCE IN PLACE TIGHTEN NUTS SECURELY.



# Jumbotrac® Parts Images



JT Hip Crown 8-Way



JT Center Crown



JT Gable Crown



JT Hex Crown W/Cap Non Exp



JT Hex Crown W/Cap Expandable



JT Hip Corner

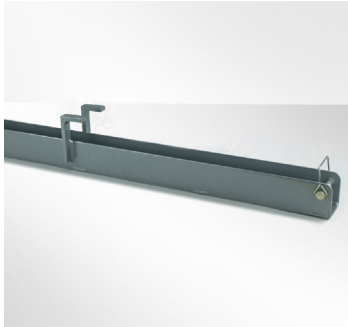


JT Gable Corner Left

JT Gable Corner Right



JT Gable Tee (Universal)



JT Gable Tee Reinforcement Bkt



JT Gable Int (50x) Left



JT Gable Int (50x) Right

JT Hex "T" (W/Cap)



JT Standard "T" (No Cap)

JT Hex "T" (No Cap)



JT Standard "T" (W/Cap)

JT Hex End "T" (W/Cap) Left



JT Special "T" (No Cap)

JT Hex End "T" (W/Cap) Right



JT Special "T" (W/Cap)

# Jumbotrac® Parts Images



JT Center Int (50x W/Cap)



JT Center Int (50x No Cap)



JT Hip Intermediate



JT Hip Intermediate (50x)



JT Slide Top Tee w/ Bolt



JT Slide Tee- Add Rafter



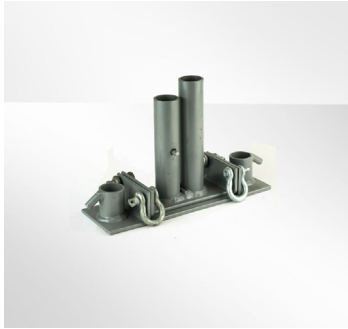
JT Baseplate



JT 6" Adjustable Baseplate



JT 2' Adjustable Baseplate



JT Baseplate Std Tilt-Up



JT Baseplate Gable Tilt-Up



JT Center Crown Tilt-Up



JT Gable Crown Tilt-Up



JT Gable Corner Left Tilt-Up



JT Gable Corner Right Tilt-Up



JT Standard "T" (W/cap) Tilt-Up



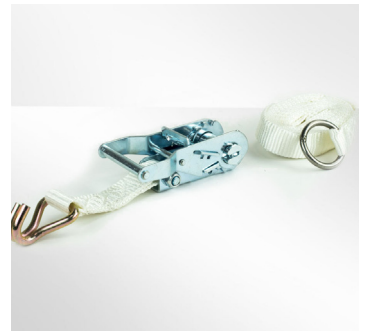
JT Assembly Cable



JT Roof Cable



JT Wall Cable



Festival Ratchet Tensioner



# Jumbotrac® Parts Images



JT Purlin Tool



JT Brace



JT Push Button Tool



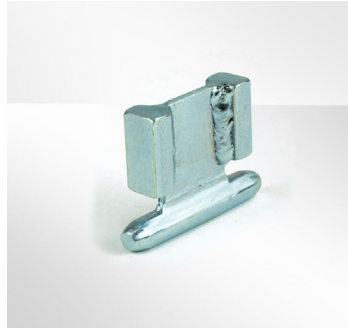
Push Button "V" 3/8"



JT Eye Bolt & Dowel Nut Hanger



Festival Tool



JT Keder Rail Repair Tool



JT Installer Toolbag Kit



JT Keder Feeder (2pc Set)



Handheld Keder Feeder



1/2" Polydac x 65' Pullrope (Set)



HH-66 Vinyl Glue (4oz)



Patch Tape B/O 3"



Liquid Vinyl Patch (4oz)



Keder Leader 11mm



1" Inline Ratchet



2" Inline Ratchet



1" x 42" Double Headed Stake



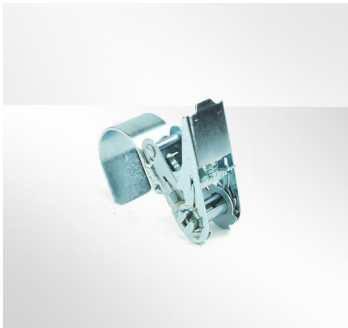
Tent Jacks



11mm Keder Leader Set



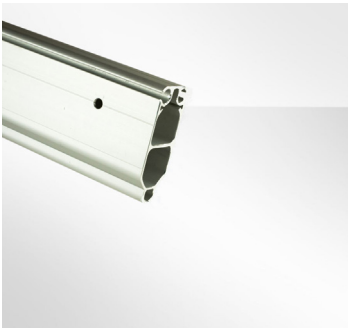
# Jumbotrac® Parts Images



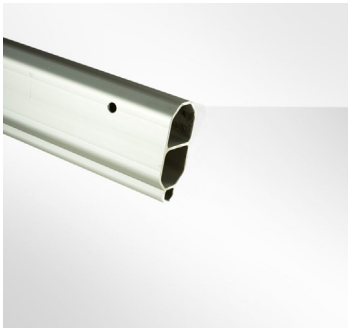
Midspan Tensioner



Tent Cleaning Solution



Jumbotrac JT3 Extrusion



Jumbotrac JT1 Extrusion

# Jumbotrac® Engineering Specifications

Design Criteria: 20'x, 30'x 40'x & 50'x Jumbotrac Systems  
 Code: ASCE/SEI 7-10, 2012 IFC, 2012 IBC  
 Wind Speed: 100MPH 3-Second Gust Exposure C  
 Mean Recurrence Interval (MRI): 7.5 Years

**Notes:**

External Guys to be installed at 45 degree from horizontal  
 Provide 1/4" cable cross bracing @ rafter/spreader @ each gable end per gable setup & every 100' as length (hip or gable) requires. Tent not to be located near abrupt changes in topography

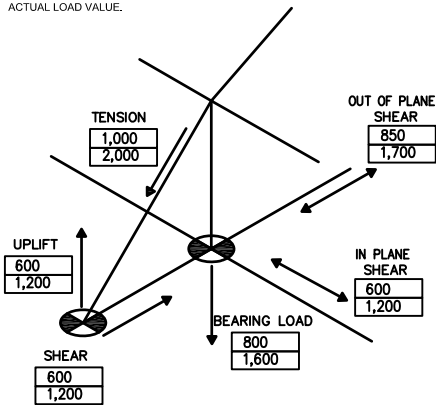
Maximum 50lb point load or 4lbs per foot at each rafter. Soil conditions will vary from site to site. The included anchoring package for this tent may need to be supplemented with additional or alternate anchoring to meet the loads below. The below chart lists the required resistance loads that must be supported by the anchoring system to meet the engineering loads specified under the code.

A Factor of Safety of 2.0 times the design load has been used for the pull out tension in lbs that the anchoring devices must resist in the direction of the load. Ensure that the anchors installed are adequate to resist pull out loads show on the diagram. Actual testing of some individual anchors to 75% of the anchor pull-out load is recommended.

## Jumbotrac® Load Summary- 20' Width

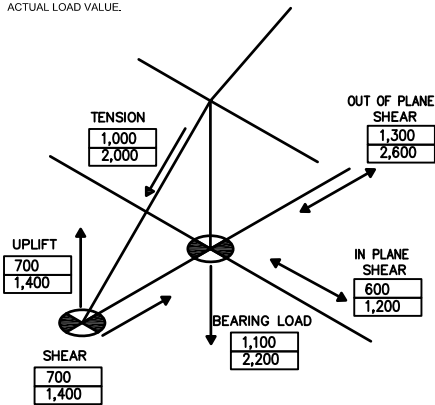
**SAMPLE** 20' WIDE-10' BAYS & 20' X 20' HIP END TENT  
 ACTUAL LOAD VALUE: TENSION 1,000, OUT OF PLANE SHEAR 850, IN PLANE SHEAR 600, BEARING LOAD 800, UPLIFT 600, SHEAR 600  
 MINIMUM DESIGN LOAD FOR ANCHORING SYSTEM\*: TENSION 2,000, OUT OF PLANE SHEAR 1,700, IN PLANE SHEAR 1,200, BEARING LOAD 1,600, UPLIFT 1,200, SHEAR 1,200

\* MINIMUM DESIGN LOAD FOR ANCHORING SYSTEM IS CALCULATED USING A FACTOR OF SAFETY = 2.0. SOME FIXED MECHANICAL ANCHORS HAVING ULTIMATE LOADS IN EXCESS OF THIS SPECIFIED LOAD CAN BE USED, BUT THOSE ANCHORS MUST ALSO HAVE ALLOWABLE/ WORKING LOADS GREATER THAN ACTUAL LOAD VALUE.



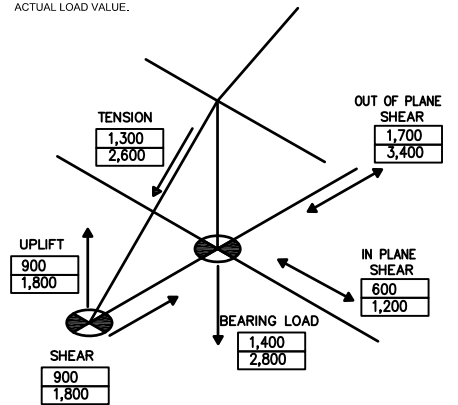
**SAMPLE** 20' WIDE-15' BAYS & 20' X 20' HIP END TENT  
 ACTUAL LOAD VALUE: TENSION 1,000, OUT OF PLANE SHEAR 1,300, IN PLANE SHEAR 600, BEARING LOAD 1,100, UPLIFT 700, SHEAR 700  
 MINIMUM DESIGN LOAD FOR ANCHORING SYSTEM\*: TENSION 2,000, OUT OF PLANE SHEAR 2,600, IN PLANE SHEAR 1,200, BEARING LOAD 2,200, UPLIFT 1,400, SHEAR 1,400

\* MINIMUM DESIGN LOAD FOR ANCHORING SYSTEM IS CALCULATED USING A FACTOR OF SAFETY = 2.0. SOME FIXED MECHANICAL ANCHORS HAVING ULTIMATE LOADS IN EXCESS OF THIS SPECIFIED LOAD CAN BE USED, BUT THOSE ANCHORS MUST ALSO HAVE ALLOWABLE/ WORKING LOADS GREATER THAN ACTUAL LOAD VALUE.



**SAMPLE** 20' WIDE-20' BAYS & 20' X 20' HIP END TENT  
 ACTUAL LOAD VALUE: TENSION 1,300, OUT OF PLANE SHEAR 1,700, IN PLANE SHEAR 600, BEARING LOAD 1,400, UPLIFT 900, SHEAR 900  
 MINIMUM DESIGN LOAD FOR ANCHORING SYSTEM\*: TENSION 2,600, OUT OF PLANE SHEAR 3,400, IN PLANE SHEAR 1,200, BEARING LOAD 2,800, UPLIFT 1,800, SHEAR 1,800

\* MINIMUM DESIGN LOAD FOR ANCHORING SYSTEM IS CALCULATED USING A FACTOR OF SAFETY = 2.0. SOME FIXED MECHANICAL ANCHORS HAVING ULTIMATE LOADS IN EXCESS OF THIS SPECIFIED LOAD CAN BE USED, BUT THOSE ANCHORS MUST ALSO HAVE ALLOWABLE/ WORKING LOADS GREATER THAN ACTUAL LOAD VALUE.

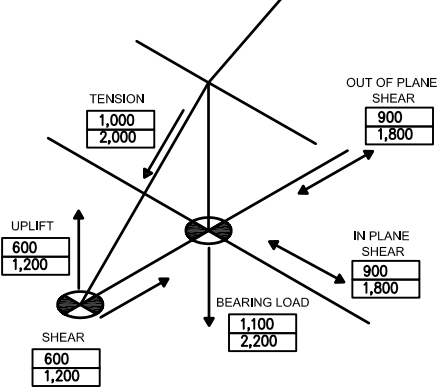


# Jumbotrac® Load Summary- 30' Width

**SAMPLE** 30' WIDE-10' BAYS

1,000	ACTUAL LOAD VALUE
2,000	MINIMUM DESIGN LOAD FOR ANCHORING SYSTEM*

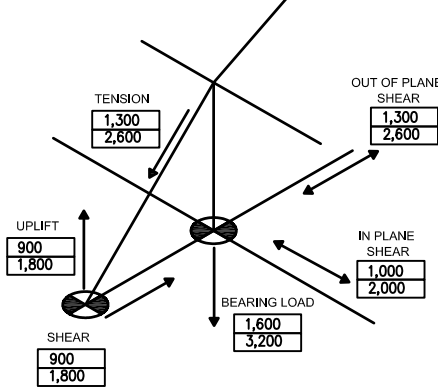
\* MINIMUM DESIGN LOAD FOR ANCHORING SYSTEM IS CALCULATED USING A FACTOR OF SAFETY = 2.0. SOME FIXED MECHANICAL ANCHORS HAVING ULTIMATE LOADS IN EXCESS OF THIS SPECIFIED LOAD CAN BE USED, BUT THOSE ANCHORS MUST ALSO HAVE ALLOWABLE/WORKING LOADS GREATER THAN ACTUAL LOAD VALUE.



**SAMPLE** 30' WIDE-15' BAYS & 30'X30' HIP END TENT

1,000	ACTUAL LOAD VALUE
2,000	MINIMUM DESIGN LOAD FOR ANCHORING SYSTEM*

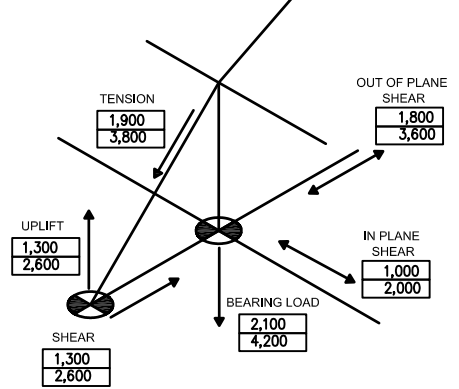
\* MINIMUM DESIGN LOAD FOR ANCHORING SYSTEM IS CALCULATED USING A FACTOR OF SAFETY = 2.0. SOME FIXED MECHANICAL ANCHORS HAVING ULTIMATE LOADS IN EXCESS OF THIS SPECIFIED LOAD CAN BE USED, BUT THOSE ANCHORS MUST ALSO HAVE ALLOWABLE/WORKING LOADS GREATER THAN ACTUAL LOAD VALUE.



**SAMPLE** 30' WIDE-20' BAYS

1,000	ACTUAL LOAD VALUE
2,000	MINIMUM DESIGN LOAD FOR ANCHORING SYSTEM*

\* MINIMUM DESIGN LOAD FOR ANCHORING SYSTEM IS CALCULATED USING A FACTOR OF SAFETY = 2.0. SOME FIXED MECHANICAL ANCHORS HAVING ULTIMATE LOADS IN EXCESS OF THIS SPECIFIED LOAD CAN BE USED, BUT THOSE ANCHORS MUST ALSO HAVE ALLOWABLE/WORKING LOADS GREATER THAN ACTUAL LOAD VALUE.

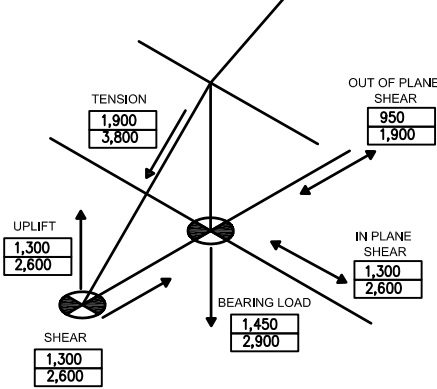


# Jumbotrac® Load Summary- 40' Width

**SAMPLE** 40' WIDE-10' BAYS

1,000	ACTUAL LOAD VALUE
2,000	MINIMUM DESIGN LOAD FOR ANCHORING SYSTEM*

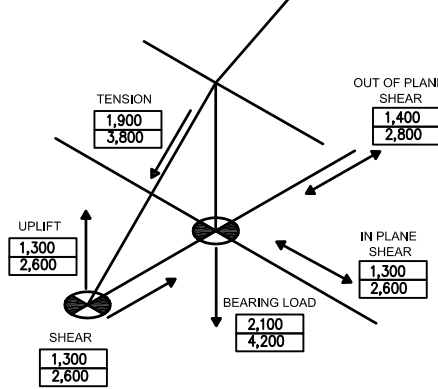
\* MINIMUM DESIGN LOAD FOR ANCHORING SYSTEM IS CALCULATED USING A FACTOR OF SAFETY = 2.0. SOME FIXED MECHANICAL ANCHORS HAVING ULTIMATE LOADS IN EXCESS OF THIS SPECIFIED LOAD CAN BE USED, BUT THOSE ANCHORS MUST ALSO HAVE ALLOWABLE/WORKING LOADS GREATER THAN ACTUAL LOAD VALUE.



**SAMPLE** 40' WIDE-15' BAYS

1,000	ACTUAL LOAD VALUE
2,000	MINIMUM DESIGN LOAD FOR ANCHORING SYSTEM*

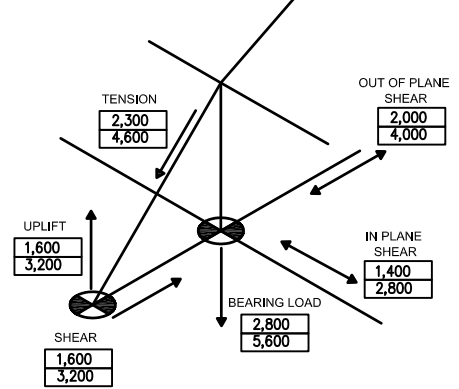
\* MINIMUM DESIGN LOAD FOR ANCHORING SYSTEM IS CALCULATED USING A FACTOR OF SAFETY = 2.0. SOME FIXED MECHANICAL ANCHORS HAVING ULTIMATE LOADS IN EXCESS OF THIS SPECIFIED LOAD CAN BE USED, BUT THOSE ANCHORS MUST ALSO HAVE ALLOWABLE/WORKING LOADS GREATER THAN ACTUAL LOAD VALUE.



**SAMPLE** 40' WIDE-20' BAYS & 40'X40' HIP END TENT

1,000	ACTUAL LOAD VALUE
2,000	MINIMUM DESIGN LOAD FOR ANCHORING SYSTEM*

\* MINIMUM DESIGN LOAD FOR ANCHORING SYSTEM IS CALCULATED USING A FACTOR OF SAFETY = 2.0. SOME FIXED MECHANICAL ANCHORS HAVING ULTIMATE LOADS IN EXCESS OF THIS SPECIFIED LOAD CAN BE USED, BUT THOSE ANCHORS MUST ALSO HAVE ALLOWABLE/WORKING LOADS GREATER THAN ACTUAL LOAD VALUE.

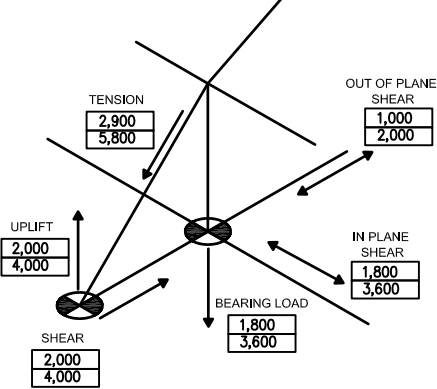


# Jumbotrac® Load Summary- 50' Width

**SAMPLE** 50' WIDE-10' BAYS

1,000	ACTUAL LOAD VALUE
2,000	MINIMUM DESIGN LOAD FOR ANCHORING SYSTEM*

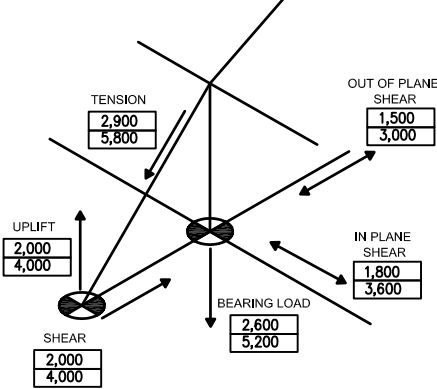
\* MINIMUM DESIGN LOAD FOR ANCHORING SYSTEM IS CALCULATED USING A FACTOR OF SAFETY = 2.0. SOME FIXED MECHANICAL ANCHORS HAVING ULTIMATE LOADS IN EXCESS OF THIS SPECIFIED LOAD CAN BE USED, BUT THOSE ANCHORS MUST ALSO HAVE ALLOWABLE/WORKING LOADS GREATER THAN ACTUAL LOAD VALUE.



**SAMPLE** 50' WIDE-15' BAYS & 50' X 50' HIP END TENT

1,000	ACTUAL LOAD VALUE
2,000	MINIMUM DESIGN LOAD FOR ANCHORING SYSTEM*

\* MINIMUM DESIGN LOAD FOR ANCHORING SYSTEM IS CALCULATED USING A FACTOR OF SAFETY = 2.0. SOME FIXED MECHANICAL ANCHORS HAVING ULTIMATE LOADS IN EXCESS OF THIS SPECIFIED LOAD CAN BE USED, BUT THOSE ANCHORS MUST ALSO HAVE ALLOWABLE/WORKING LOADS GREATER THAN ACTUAL LOAD VALUE.



# Jumbotrac® Components

Fittings/Components	Item Number
JT Hip Crown 8-Way	Z298F00010
JT Center Crown	Z298F00020
JT Gable Crown	Z298F00030
JT Hex Crown- W/Cap Not Expand	Z298F00031
JT Hex End Crown W/Cap For Exp	Z298F00032
JT Hip Corner	Z298F00040
JT Gable Corner Left	Z298F00050
JT Gable Corner Right	Z298F00060
JT Gable Tee (Universal)	Z298F00070
JT Gable Tee - No Riser Spcl G	Z298F00075
JT Gable Tee - Slide Riser Spc	Z298F00076
JT Gable Int (50X) Left	Z298F00080
JT Gable Int (50X) Right	Z298F00090
JT Hex "T" - W/Cap	Z298F000910
JT Hex "T" - No Cap	Z298F000911
JT Hex End "T" - W/Cap-Left	Z298F000912
JT Hex End "T" - W/Cap-Right	Z298F000913
JT Standard "T" - No Cap	Z298F00100
JT Standard "T" - W/Cap	Z298F00110
JT Special "T" - No Cap	Z298F00120
JT Special "T" - W/Cap	Z298F00130
JT Center Int (50X W/Cap)	Z298F00140
JT Center Int (50X NO/Cap)	Z298F00150
JT Hip Intermediate	Z298F00160
JT Hip Intermediate (50X)	Z298F00170
JT Baseplate	Z298F00180
JT 2' Adjustable Baseplate	Z298F00190
JT Assembly Cable 20X	Z298F00200
JT Assembly Cable 30X	Z298F00210
JT Assembly Cable 40X	Z298F00220
JT Assembly Cable 50X	Z298F00230
JT RoofCbl 20x10 GblBay 14'-8"	Z298F00235
JT RoofCbl 20X20 GblBay 22'-7"	Z298F00240
JT RoofCbl 20X15 GblBay 18'-5"	Z298F00250
JT RoofCbl 30x10 GblBay19'-3"	Z298F00255
JT RoofCbl 30x15 GblBay 22'-2"	Z298F00260
JT RoofCbl 30x20 GblBay 25'-9"	Z298F00270
JT RoofCbl 40x10 GblBay 24'-2"	Z298F00275
JT RoofCbl 40x20 GblBay 29'-9"	Z298F00280
JT RoofCbl 40x15 GblBay 26'-7"	Z298F00285
JT LowrCbl 10'Bay8'Leg 12'-5"	Z298F00291
JT LowrCbl 10'Bay10'Leg 13'-6"	Z298F00292
JT LowrCbl 15'Bay10' Leg 17'-5"	Z298F00293
JT LowrCbl 15'Bay 8'Leg 16'-7"	Z298F00294
JT LowrCbl 20'Bay10'Leg 21'-10"	Z298F00295
JT LowrCbl 20'Bay 8'Leg 21'-2"	Z298F00296
JT Ratchet Tensioner-1"	Z298F00300
JT Brace 2'	Z298F00310
JT Brace End Adjustable	Z298F00311
JT Brace End Fixed	Z298F00312
Push Button "V" 3/8"	Z298F00320
3/8" X 2-1/4" JT Clevis Pin	Z298F00325
JT Eye Bolt & Dowel Nut Hanger	Z298F00335
JT Keder Feeder (2pc Set)	Z298F00343
1/2" Polydac x 65' Pullrope (Set)	Z298F00345
JT Conversion Std "T" - W/Cap	Z298F00380
JT Conversion Sp "T" - W/Cap	Z298F00390
10' JT Wall Tension Bar W/(1)	Z298F00610
15' JT Wall Tension Bar W/(1)	Z298F00615
20' JT Wall Tension Bar W/(1)	Z298F00620
JT Wall Tension Bar Bracket	Z298F00630

Fittings/Components	Item Number
JT Center Crown Tilt-Up	Z298F00685
JT Gable Crown Tilt-Up	Z298F00690
JT Gable Corner Left Tilt-Up	Z298F00695
JT Gable Corner Right Tilt-Up	Z298F00700
JT Standard "T" - W/Cap Tilt-Up	Z298F00705
JT Baseplate Std Tilt-Up	Z298F00710
JT Baseplate 2' Adj. Tilt-Up	Z298F00711
JT Baseplate Gable Tilt-Up	Z298F00715
JT Int Bkt Set Tilt-Up (50x) w	Z298F00720
JT Int Gab Bkt Set Tilt-Up (50x)	Z298F00725
JT Purlin Tool	Z298F00730
Keder Repair Tool	Z298F00342
JumboTrac Hinged Purlin End	Z298F00735
JumboTrac Drop-In Purlin End	Z298F00740

Aluminum Beams	Item Number
JumboTrac JT1 7'1" 30x/50x Upright	Z298JT10701
JT1 30x/50x Tilt-Up Upright	Z298JT10708GU
JumboTrac JT1 9'4"	Z298JT10904
JT1 10' Tilt-Up Purlin	Z298JT10904P
JumboTrac JT1 9'4" Spcl Cut	Z298JT10904S
JumboTrac JT1 9'10" 40x Gable	Z298JT10910
JT1 40x Tilt-Up Gable Upright	Z298JT11002GU
JumboTrac JT1 10'6"	Z298JT11006
JumboTrac JT1 12'2" 50x Gable	Z298JT11202
JT1 50x(Center) Tilt-Up Gable	Z298JT11208GU
JumboTrac JT1 14'4"	Z298JT11404
JT1 15' Tilt-Up Gable Purlin	Z298JT11404G
JT1 15' Tilt-Up Purlin	Z298JT11404P
JumboTrac JT1 14'4" Special Cut	Z298JT11404S
JumboTrac JT1 16'1"	Z298JT11601
JumboTrac JT1 19'4"	Z298JT11904
JT1 20' Tilt-Up Gable Purlin	Z298JT11904G
JT1 20' Tilt-Up Purlin	Z298JT11904P
JumboTrac JT1 19'4" Special Cut	Z298JT11904S
JumboTrac JT1 21'10"	Z298JT12110
JumboTrac JT3 7'8" Leg Beam	Z298JT30708
JumboTrac JT3 9'4" Leg Beam	Z298JT30904
JumboTrac JT3 10'6"	Z298JT31006
JumboTrac JT3 16'1"	Z298JT31601
JumboTrac JT3 21'10"	Z298JT32110
JumboTrac Cap - Bent Crown	Z298JTCAP-BENT
JumboTrac Cap- 4" Straight	Z298JTCAP-STR4

Tent Jacks	Item Number
Std. Rolling Canopy Jack 10'-10"	Z51400010
Ext. Rolling Canopy Jack 13'-8"	Z51400020
Canopy Jack Strap & Hook - Black	Z51400030
Replacement Winch Only	Z51400065



If YOU can IMAGINE it... WE can BUILD it

[www.aztectents.com](http://www.aztectents.com)

**Aztec Tents**

2665 Columbia Street  
Torrance, CA 90503  
Toll Free (800) 228-3687  
Fax (310) 381-0722