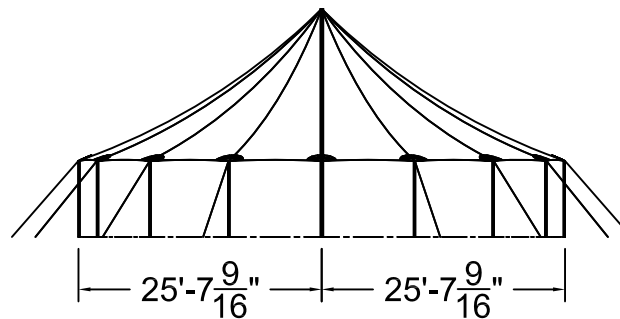
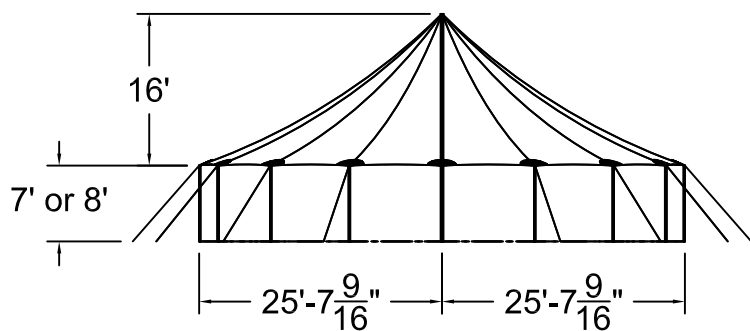


ISOMETRIC VIEW  
2011 SQ. FT

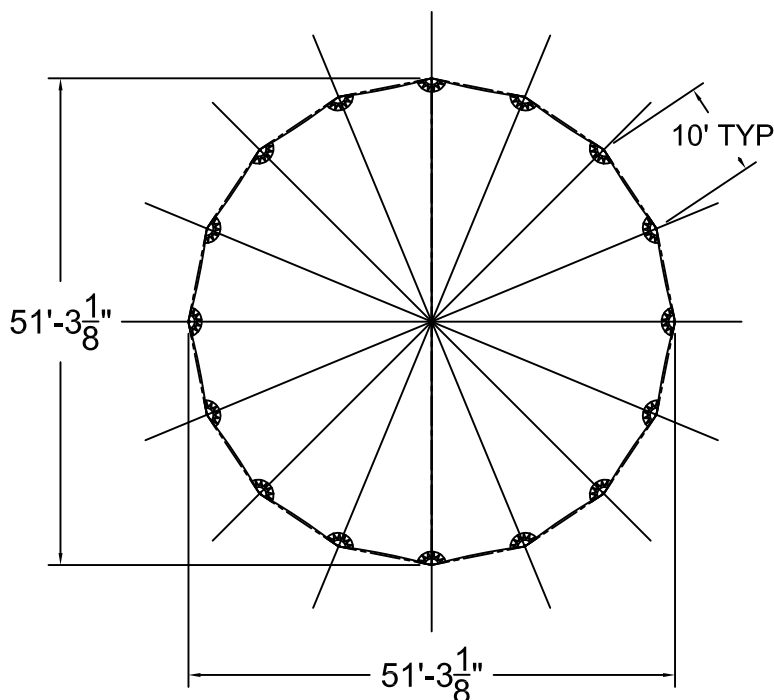


SIDE VIEW

51'W x 51'L TIDEWATER SAIL CLOTH POLE TENT



51'W TW FRONT END



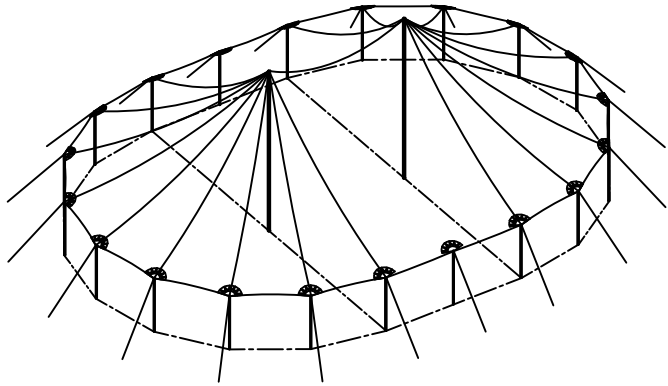
TOP VIEW

ALL DATA AND INFORMATION CONTAINED IN OR DISCLOSED BY THIS DOCUMENT IS CONFIDENTIAL AND PROPRIETARY INFORMATION OF AZTEC TENTS AND ALL RIGHTS THEREIN ARE EXPRESSLY RESERVED. BY ACCEPTING THIS MATERIAL THE RECIENT AGREES THAT THIS MATERIAL AND INFORMATION CONTAINED HEREIN IS HELD IN CONFIDENCE AND IN TRUST AND WILL NOT BE COPIED, REPRODUCED, WHOLE OR IN PART, OR ITS CONTENTS REVEALED IN ANY MANNER TO OTHERS, EXCEPT TO MEET THE SPECIFIC PURPOSE FOR WHICH IT WAS DELIVERED.

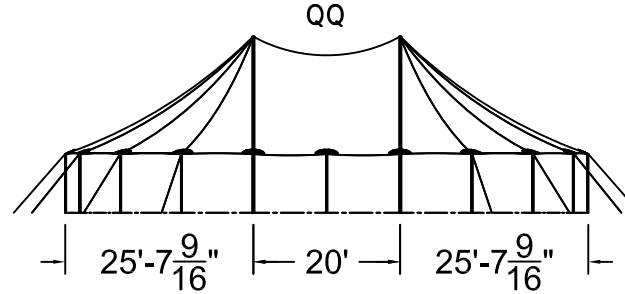
**AZTEC TENTS**  
DESIGN & PRODUCTION  
2685 COLUMBIA ST. TORRANCE, CA. 90503  
(800) 228-3687 - FAX (310) 381-0722

**TIDEWATER POLE TENT**  
51'W x 51'L  
**TIDEWATER SAIL CLOTH POLE TENT**  
PART NUMBER: ZXXXXXX

REVISION HISTORY			
REV.	DESCRIPTION	BY:	DATE:
<b>PROPRIETARY</b>			
ENGINEER:	N/A	DATE:	12/18/2024
PAGE:	1 OF 1	DRAWN:	M.CARDENAS

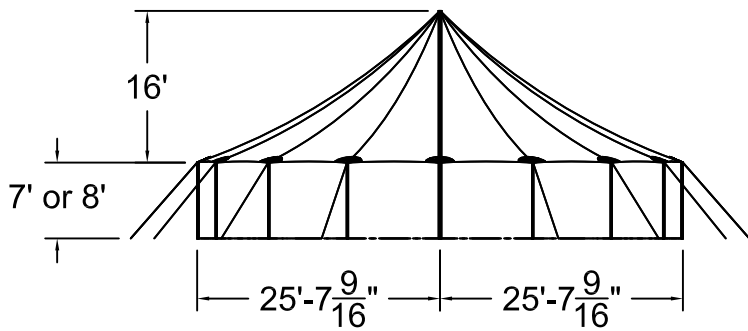


ISOMETRIC VIEW  
3036 SQ. FT

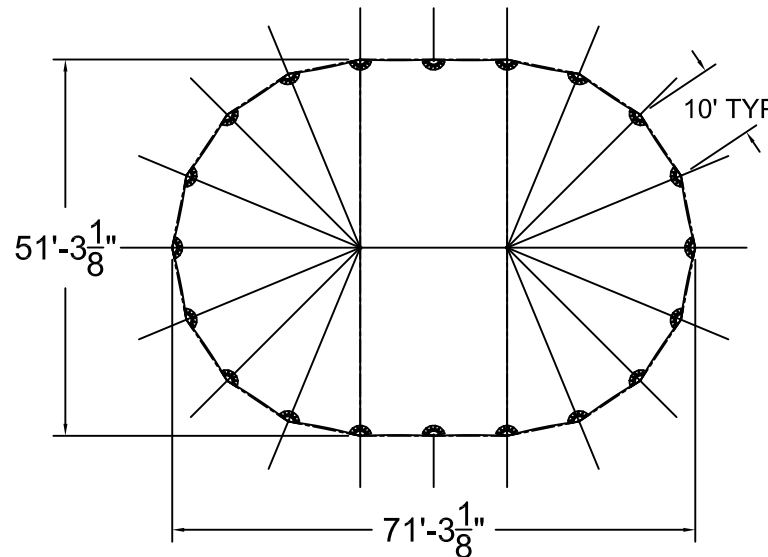


SIDE VIEW

51'W x 71'L TIDEWATER SAIL CLOTH POLE TENT



51'W TW FRONT END



TOP VIEW

ALL DATA AND INFORMATION CONTAINED IN OR DISCLOSED BY THIS DOCUMENT IS CONFIDENTIAL AND PROPRIETARY INFORMATION OF AZTEC TENTS AND ALL RIGHTS THEREIN ARE EXPRESSLY RESERVED. BY ACCEPTING THIS MATERIAL THE RECIENT AGREES THAT THIS MATERIAL AND INFORMATION CONTAINED THEREIN IS HELD IN CONFIDENCE AND IN TRUST AND WILL NOT BE COPIED, REPRODUCED, WHOLE OR IN PART, NOR ITS CONTENTS REVEALED IN ANY MANNER TO OTHERS, EXCEPT TO MEET THE SPECIFIC PURPOSE FOR WHICH IT WAS DELIVERED.

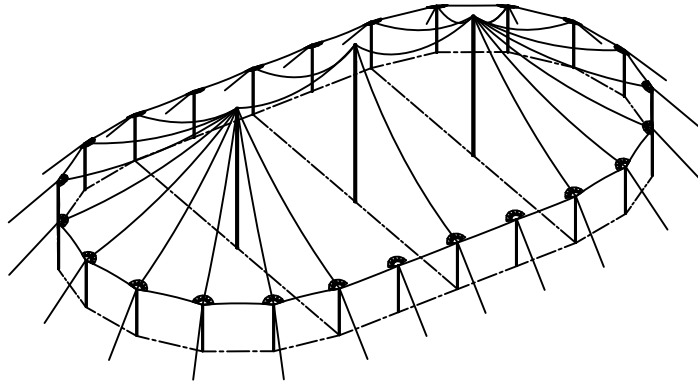
**AZTEC TENTS**  
DESIGN & PRODUCTION  
2685 COLUMBIA ST. TORRANCE, CA. 90503  
(800) 228-3687 - FAX (310) 381-0722

**TIDEWATER POLE TENT**  
51'W x 71'L - 20' BAY  
**TIDEWATER SAIL CLOTH POLE TENT**  
PART NUMBER: ZXXXXXX

REVISION HISTORY			
REV.	DESCRIPTION	BY:	DATE:

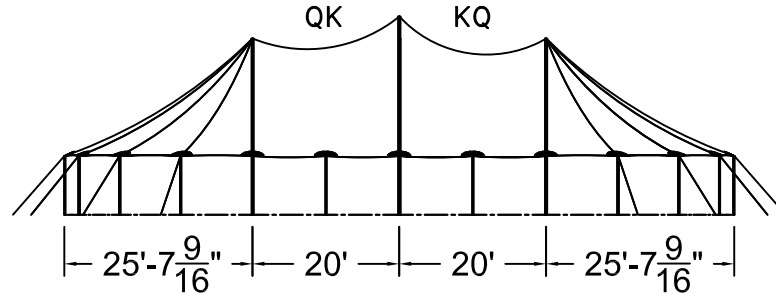
**PROPRIETARY**

ENGINEER: N/A	DATE: 12/18/2024
PAGE: 1 OF 1	DRAWN: M.CARDENAS



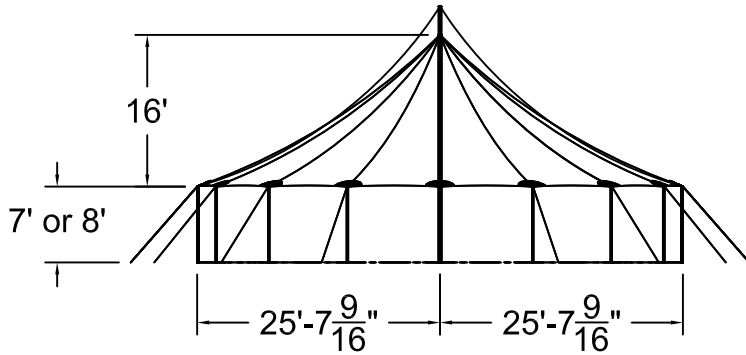
ISOMETRIC VIEW

4061 SQ. FT

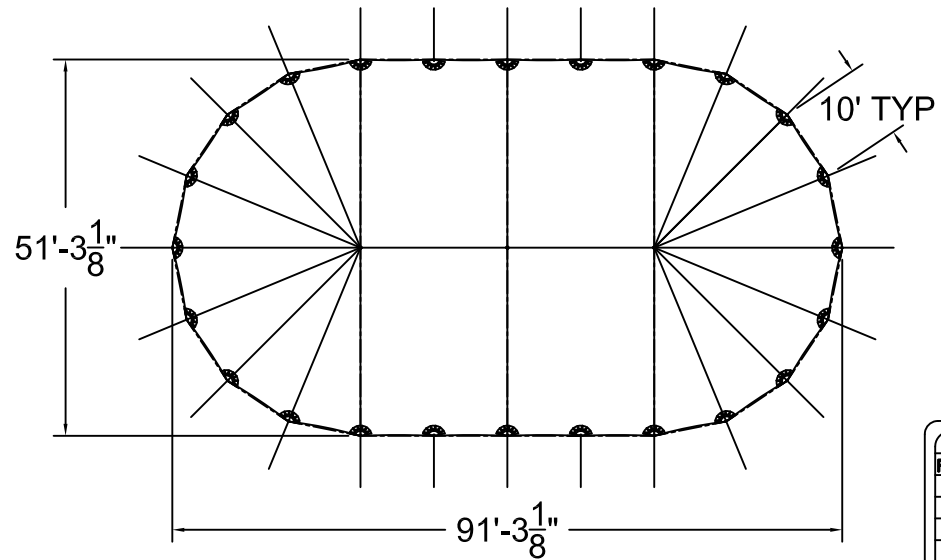


SIDE VIEW

51'W x 91'L TIDEWATER SAIL CLOTH POLE TENT



51'W TW FRONT END



TOP VIEW

ALL DATA AND INFORMATION CONTAINED IN OR DISCLOSED BY THIS DOCUMENT IS CONFIDENTIAL AND PROPRIETARY INFORMATION OF AZTEC TENTS AND ALL RIGHTS THEREIN ARE EXPRESSLY RESERVED. BY ACCEPTING THIS MATERIAL THE RECIPIENT AGREES THAT THIS MATERIAL AND INFORMATION CONTAINED HEREIN IS HELD IN CONFIDENCE AND IN TRUST, AND WILL NOT BE COPIED, REPRODUCED, WHOLE OR IN PART, NOR ITS CONTENTS REVEALED IN ANY MANNER TO OTHERS, EXCEPT TO MEET THE SPECIFIC PURPOSE FOR WHICH IT WAS DELIVERED.

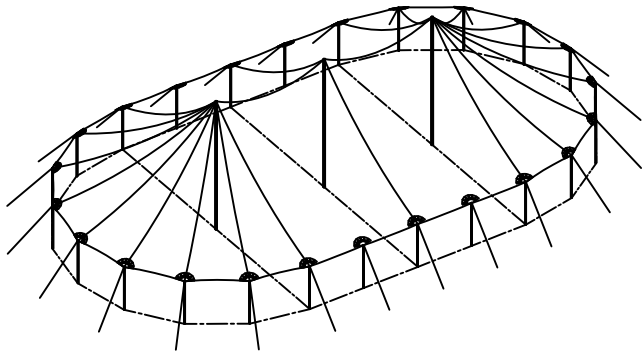
**AZTEC TENTS**  
 DESIGN & PRODUCTION  
 2685 COLUMBIA ST. TORRANCE, CA. 90503  
 (800) 228-3687 - FAX (310) 381-0722

**TIDEWATER POLE TENT**  
 51'W x 91'L - 20' BAYS  
**TIDEWATER SAIL CLOTH POLE TENT**  
 PART NUMBER: ZXXXXXX

REVISION HISTORY			
REV.	DESCRIPTION	BY:	DATE:

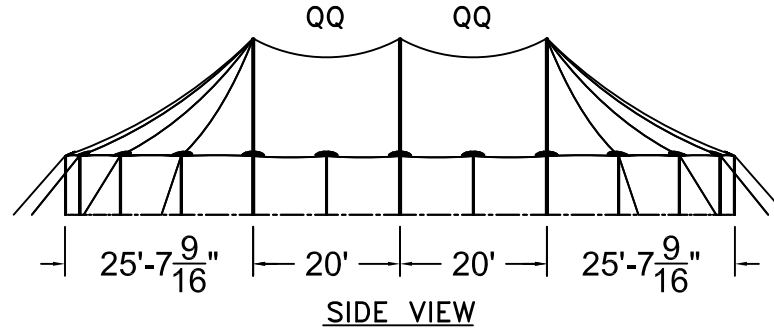
**PROPRIETARY**

ENGINEER: N/A	DATE: 12/18/2024
PAGE: 1 OF 1	DRAWN: M.CARDENAS

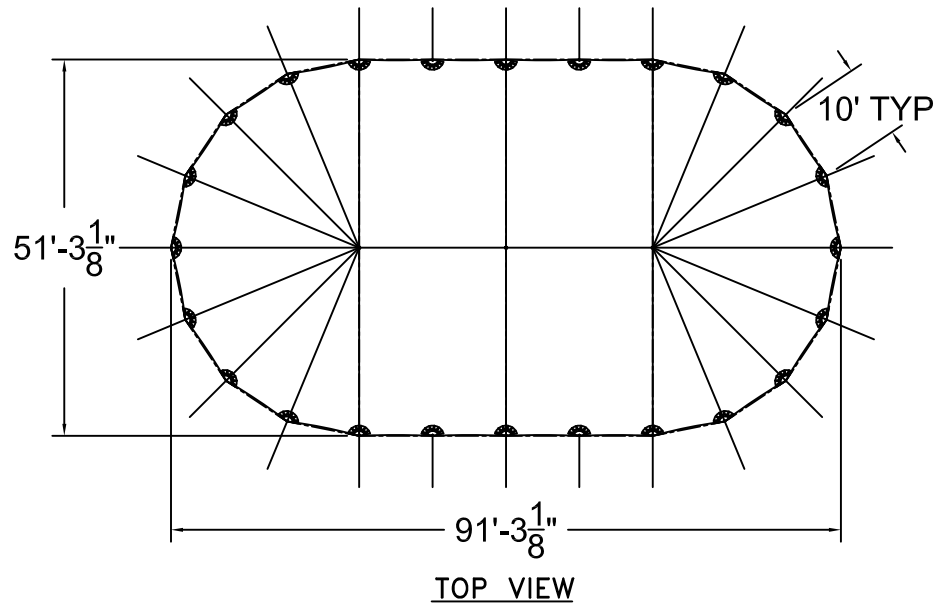
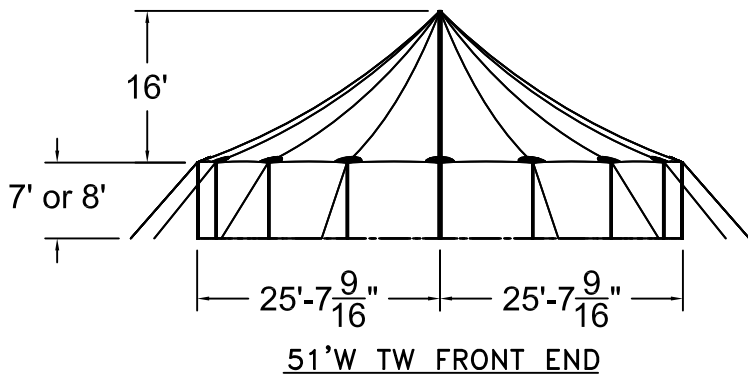


ISOMETRIC VIEW

4061 SQ. FT



51'W x 91'L TIDEWATER SAIL CLOTH POLE TENT



ALL DATA AND INFORMATION CONTAINED IN OR DISCLOSED BY THIS DOCUMENT IS CONFIDENTIAL AND PROPRIETARY INFORMATION OF AZTEC TENTS AND ALL RIGHTS THEREIN ARE EXPRESSLY RESERVED. BY ACCEPTING THIS MATERIAL THE RECIENT AGREES THAT THIS MATERIAL AND INFORMATION CONTAINED HEREIN IS HELD IN CONFIDENCE AND IN TRUST AND WILL NOT BE COPIED, REPRODUCED, WHOLE OR IN PART, OR ITS CONTENTS REVEALED IN ANY MANNER TO OTHERS, EXCEPT TO MEET THE SPECIFIC PURPOSE FOR WHICH IT WAS DELIVERED.

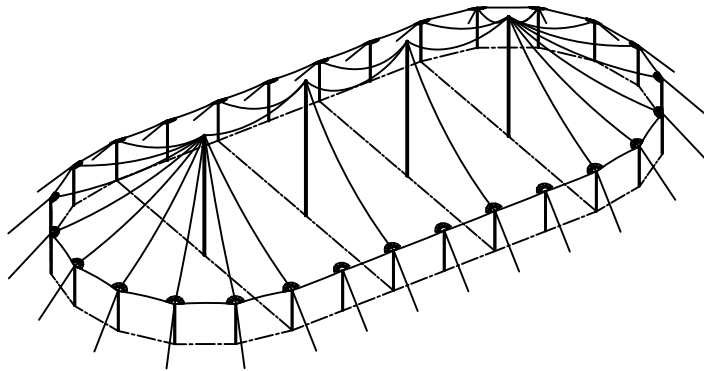
**AZTEC TENTS**  
 DESIGN & PRODUCTION  
 2685 COLUMBIA ST. TORRANCE, CA. 90503  
 (800) 228-3687 - FAX (310) 381-0722

**TIDEWATER POLE TENT**  
 51'W x 91'L - 20' BAYS  
**TIDEWATER SAIL CLOTH POLE TENT**  
 PART NUMBER: ZXXXXXX

REVISION HISTORY			
REV.	DESCRIPTION	BY:	DATE:

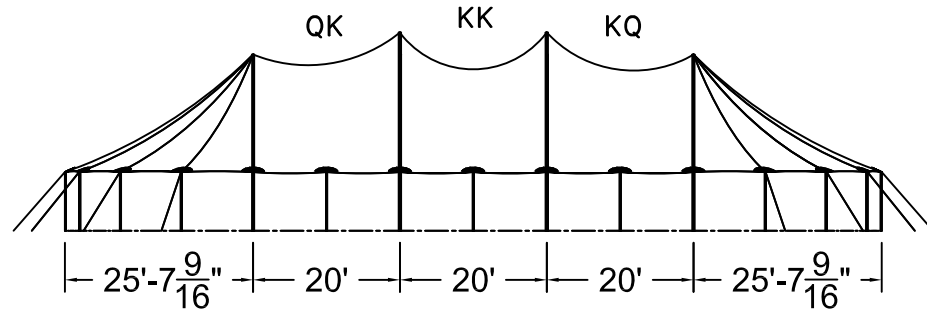
**PROPRIETARY**

ENGINEER: N/A	DATE: 12/18/2024
PAGE: 1 OF 1	DRAWN: M.CARDENAS



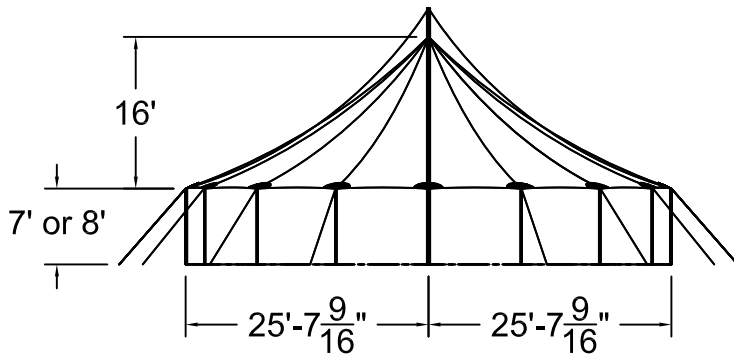
ISOMETRIC VIEW

4061 SQ. FT

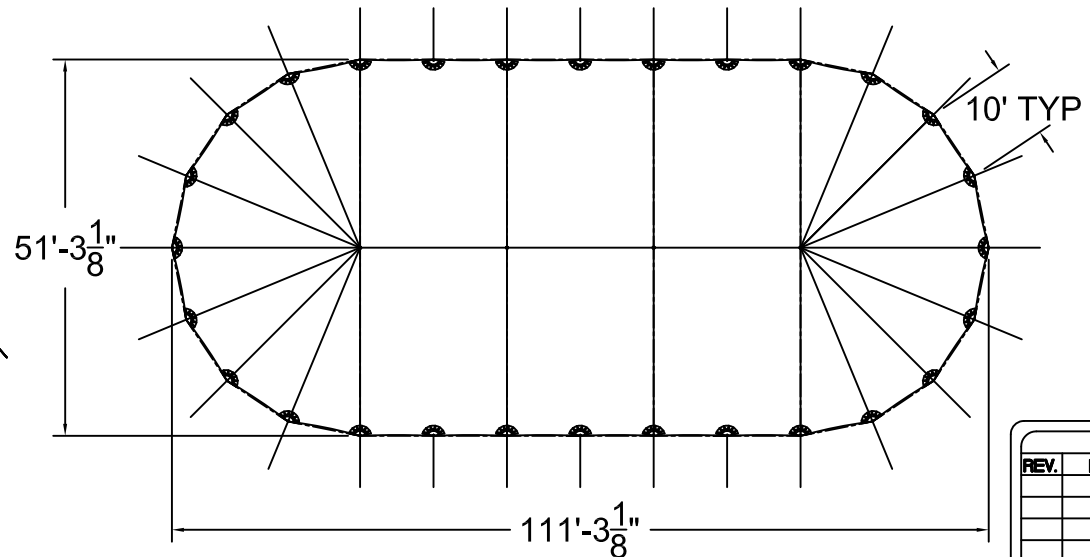


SIDE VIEW

51'W x 111'L TIDEWATER SAIL CLOTH POLE TENT



51'W TW FRONT END



TOP VIEW

ALL DATA AND INFORMATION CONTAINED IN OR DISCLOSED BY THIS DOCUMENT IS CONFIDENTIAL AND PROPRIETARY INFORMATION OF AZTEC TENTS AND ALL RIGHTS THEREIN ARE EXPRESSLY RESERVED. BY ACCEPTING THIS MATERIAL THE RECIENT AGREES THAT THIS MATERIAL AND INFORMATION CONTAINED HEREIN IS HELD IN CONFIDENCE AND IN TRUST, AND WILL NOT BE COPIED, REPRODUCED, WHOLE OR IN PART, NOR ITS CONTENTS REVEALED IN ANY MANNER TO OTHERS, EXCEPT TO MEET THE SPECIFIC PURPOSE FOR WHICH IT WAS DELIVERED.

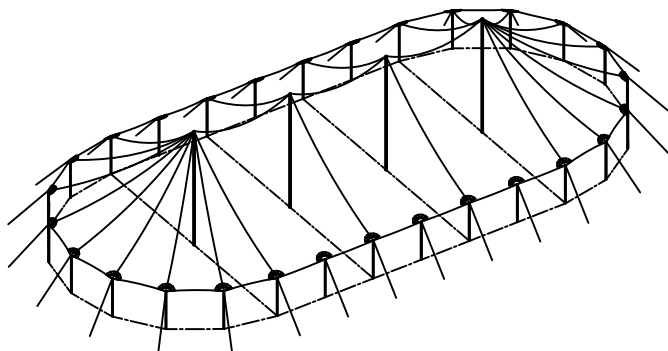
**AZTEC TENTS**  
 DESIGN & PRODUCTION  
 2685 COLUMBIA ST. TORRANCE, CA. 90503  
 (800) 228-3687 - FAX (310) 381-0722

**TIDEWATER POLE TENT**  
 51'W x 111'L - 20' BAYS  
**TIDEWATER SAIL CLOTH POLE TENT**  
 PART NUMBER: ZXXXXXX

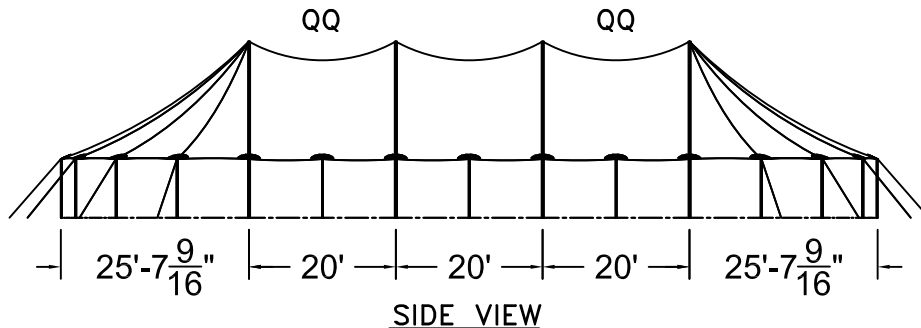
REVISION HISTORY			
REV.	DESCRIPTION	BY:	DATE:

**PROPRIETARY**

ENGINEER: N/A	DATE: 12/18/2024
PAGE: 1 OF 1	DRAWN: M.CARDENAS

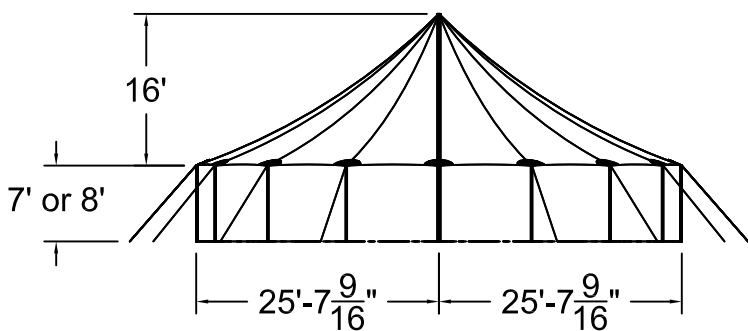


ISOMETRIC VIEW  
4061 SQ. FT

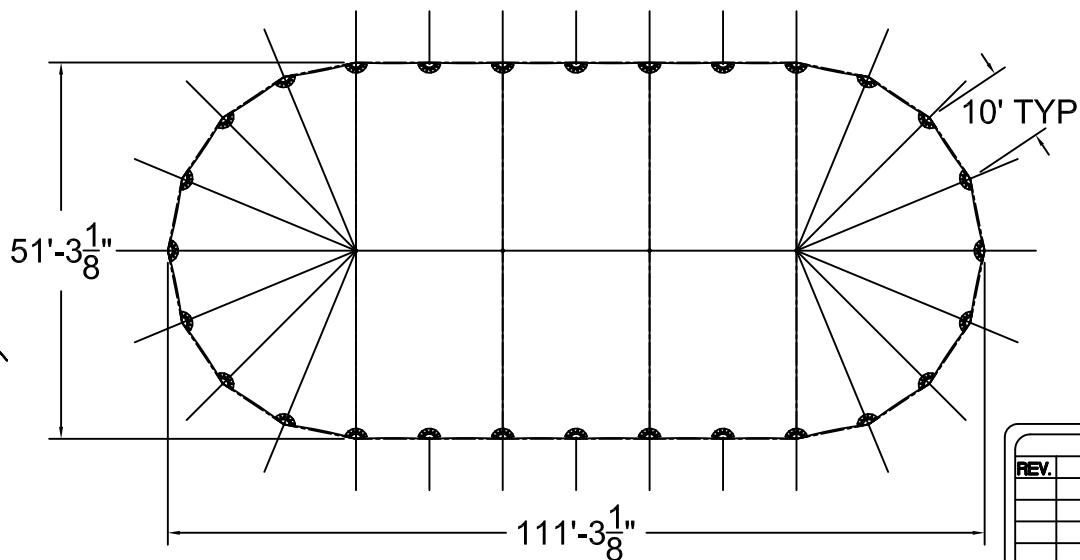


SIDE VIEW

51'W x 111'L TIDEWATER SAIL CLOTH POLE TENT



51'W TW FRONT END



TOP VIEW

ALL DATA AND INFORMATION CONTAINED IN OR DISCLOSED BY THIS DOCUMENT IS CONFIDENTIAL AND PROPRIETARY INFORMATION OF AZTEC TENTS AND ALL RIGHTS THEREIN ARE EXPRESSLY RESERVED. BY ACCEPTING THIS MATERIAL THE RECIENT AGREES THAT THIS MATERIAL AND INFORMATION CONTAINED HEREIN IS HELD IN CONFIDENCE AND IN TRUST AND WILL NOT BE COPIED, REPRODUCED, WHOLE OR IN PART, NOR ITS CONTENTS REVEALED IN ANY MANNER TO OTHERS, EXCEPT TO MEET THE SPECIFIC PURPOSE FOR WHICH IT WAS DELIVERED.

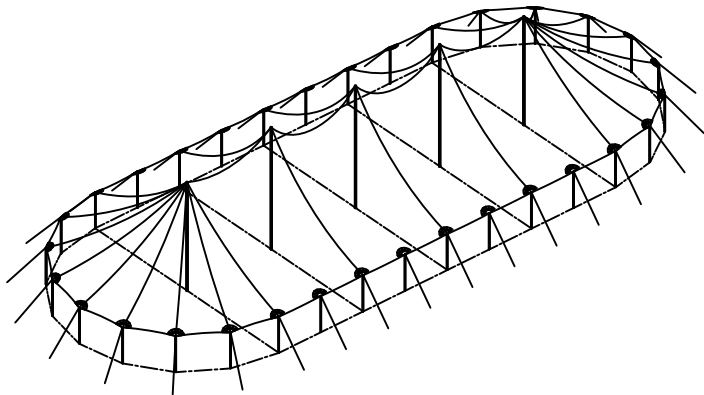
**AZTEC TENTS**  
DESIGN & PRODUCTION  
2685 COLUMBIA ST. TORRANCE, CA. 90503  
(800) 228-3687 - FAX (310) 381-0722

**TIDEWATER POLE TENT**  
51'W x 111'L - 20' BAYS  
**TIDEWATER SAIL CLOTH POLE TENT**  
PART NUMBER: ZXXXXXX

REVISION HISTORY			
REV.	DESCRIPTION	BY:	DATE:

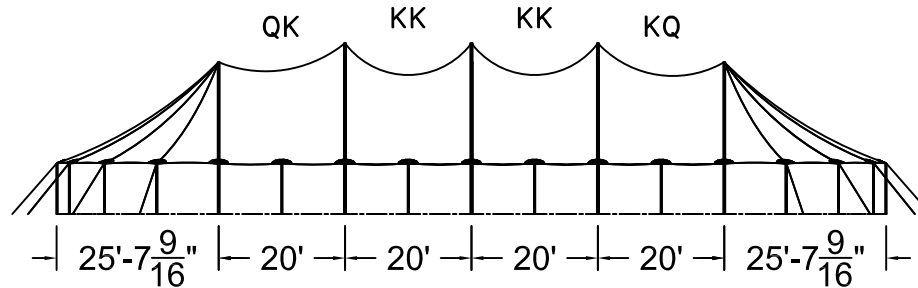
**PROPRIETARY**

ENGINEER: N/A	DATE: 12/18/2024
PAGE: 1 OF 1	DRAWN: M.CARDENAS



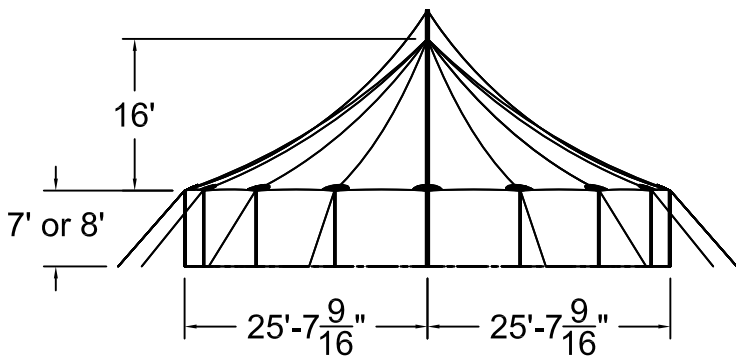
ISOMETRIC VIEW

6111 SQ. FT

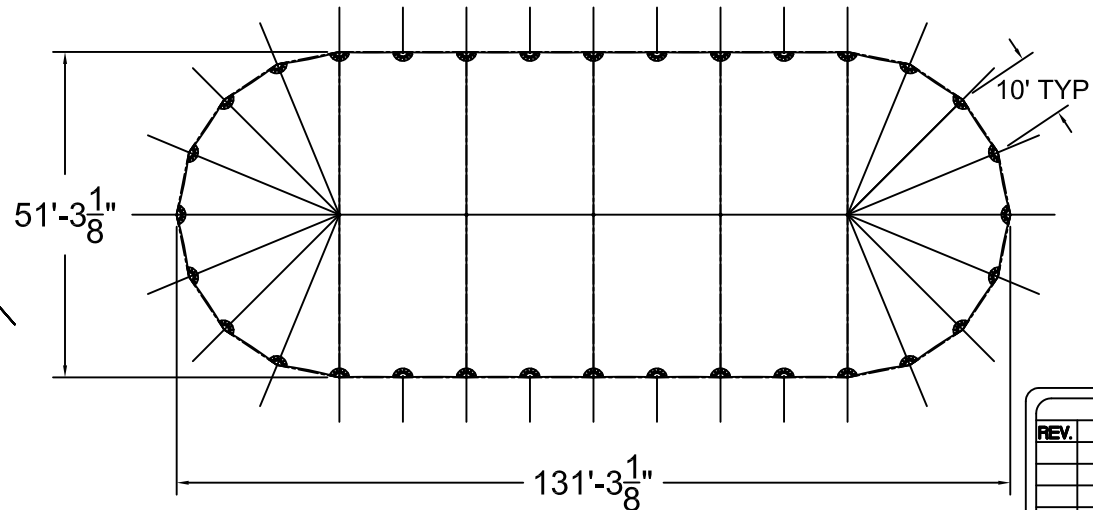


SIDE VIEW

51'W x 131'L TIDEWATER SAIL CLOTH POLE TENT



51'W TW FRONT END



TOP VIEW

ALL DATA AND INFORMATION CONTAINED IN OR DISCLOSED BY THIS DOCUMENT IS CONFIDENTIAL AND PROPRIETARY INFORMATION OF AZTEC TENTS AND ALL RIGHTS THEREIN ARE EXPRESSLY RESERVED. BY ACCEPTING THIS MATERIAL THE RECIENT AGREES THAT THIS MATERIAL AND INFORMATION CONTAINED HEREIN IS HELD IN CONFIDENCE AND IN TRUST, AND WILL NOT BE COPIED, REPRODUCED, WHOLE OR IN PART, NOR ITS CONTENTS REVEALED IN ANY MANNER TO OTHERS, EXCEPT TO MEET THE SPECIFIC PURPOSE FOR WHICH IT WAS DELIVERED.

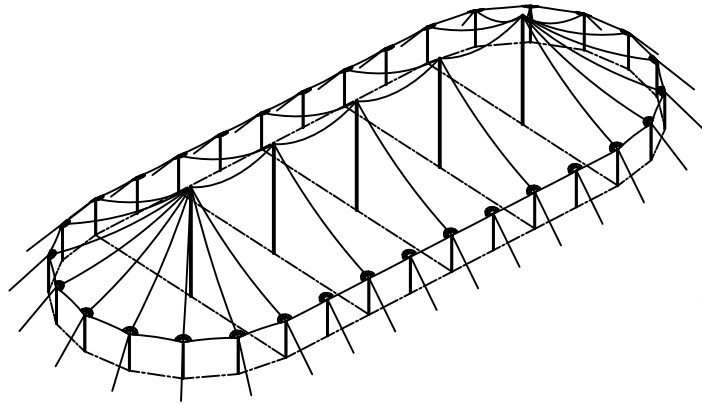
**AZTEC TENTS**  
 DESIGN & PRODUCTION  
 2685 COLUMBIA ST. TORRANCE, CA. 90503  
 (800) 228-3687 - FAX (310) 381-0722

**TIDEWATER POLE TENT**  
 51'W x 111'L - 20' BAYS  
**TIDEWATER SAIL CLOTH POLE TENT**  
 PART NUMBER: ZXXXXXX

REVISION HISTORY			
REV.	DESCRIPTION	BY:	DATE:

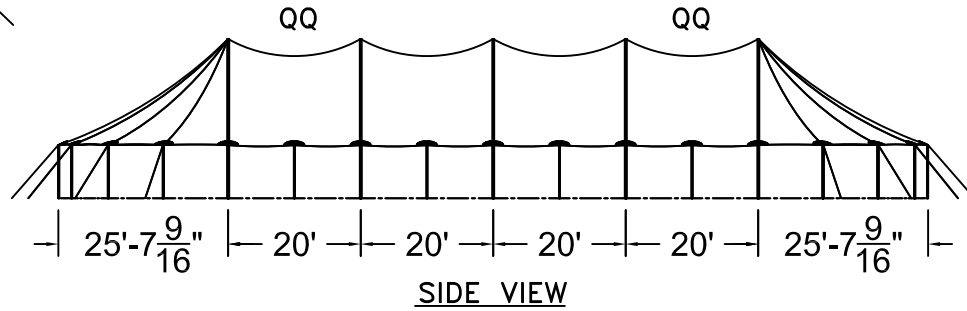
**PROPRIETARY**

ENGINEER: N/A	DATE: 12/18/2024
PAGE: 1 OF 1	DRAWN: M.CARDENAS



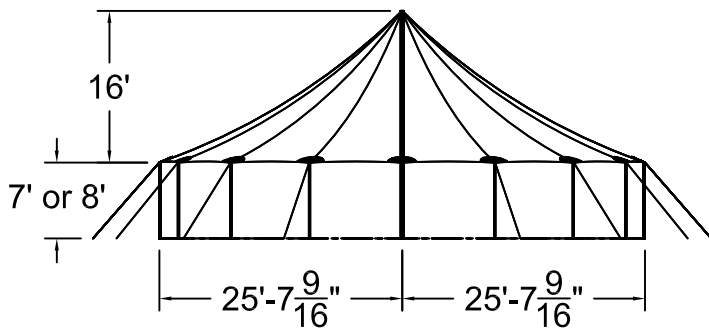
ISOMETRIC VIEW

6111 SQ. FT

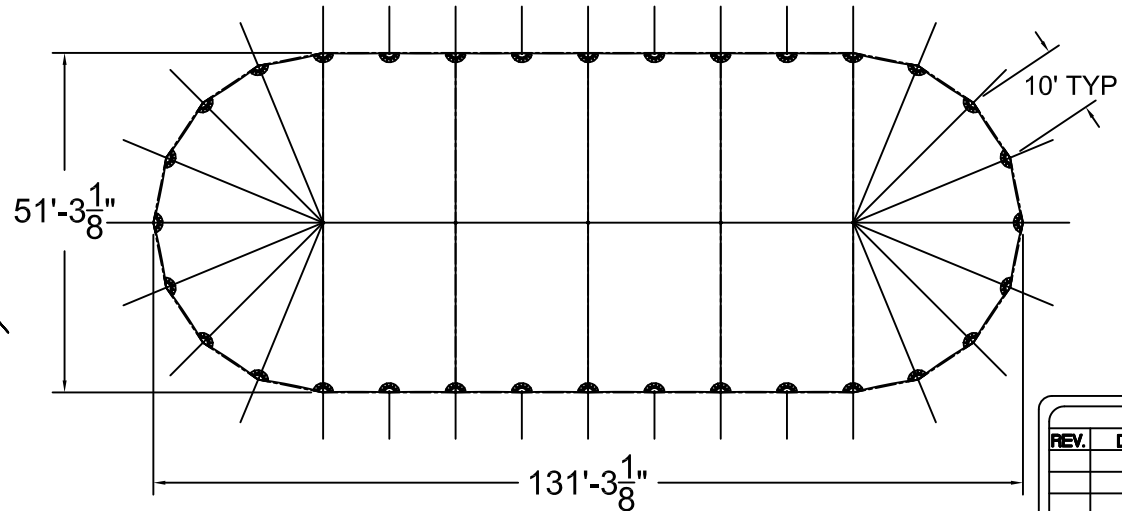


SIDE VIEW

51'W x 131'L TIDEWATER SAIL CLOTH POLE TENT



51'W TW FRONT END



TOP VIEW

ALL DATA AND INFORMATION CONTAINED IN OR DISCLOSED BY THIS DOCUMENT IS CONFIDENTIAL AND PROPRIETARY INFORMATION OF AZTEC TENTS AND ALL RIGHTS THEREIN ARE EXPRESSLY RESERVED. BY ACCEPTING THIS MATERIAL THE RECIPIENT AGREES THAT THIS MATERIAL AND INFORMATION CONTAINED HEREIN IS HELD IN CONFIDENCE AND IN TRUST, AND WILL NOT BE COPIED, REPRODUCED, WHOLE OR IN PART, NOR ITS CONTENTS REVEALED IN ANY MANNER TO OTHERS, EXCEPT TO MEET THE SPECIFIC PURPOSE FOR WHICH IT WAS DELIVERED.

**AZTEC TENTS**  
 DESIGN & PRODUCTION  
 2685 COLUMBIA ST. TORRANCE, CA. 90503  
 (800) 228-3687 - FAX (310) 381-0722

**TIDEWATER POLE TENT**  
 51'W x 131'L - 20' BAYS  
 TIDEWATER SAIL CLOTH POLE TENT  
 PART NUMBER: ZXXXXXX

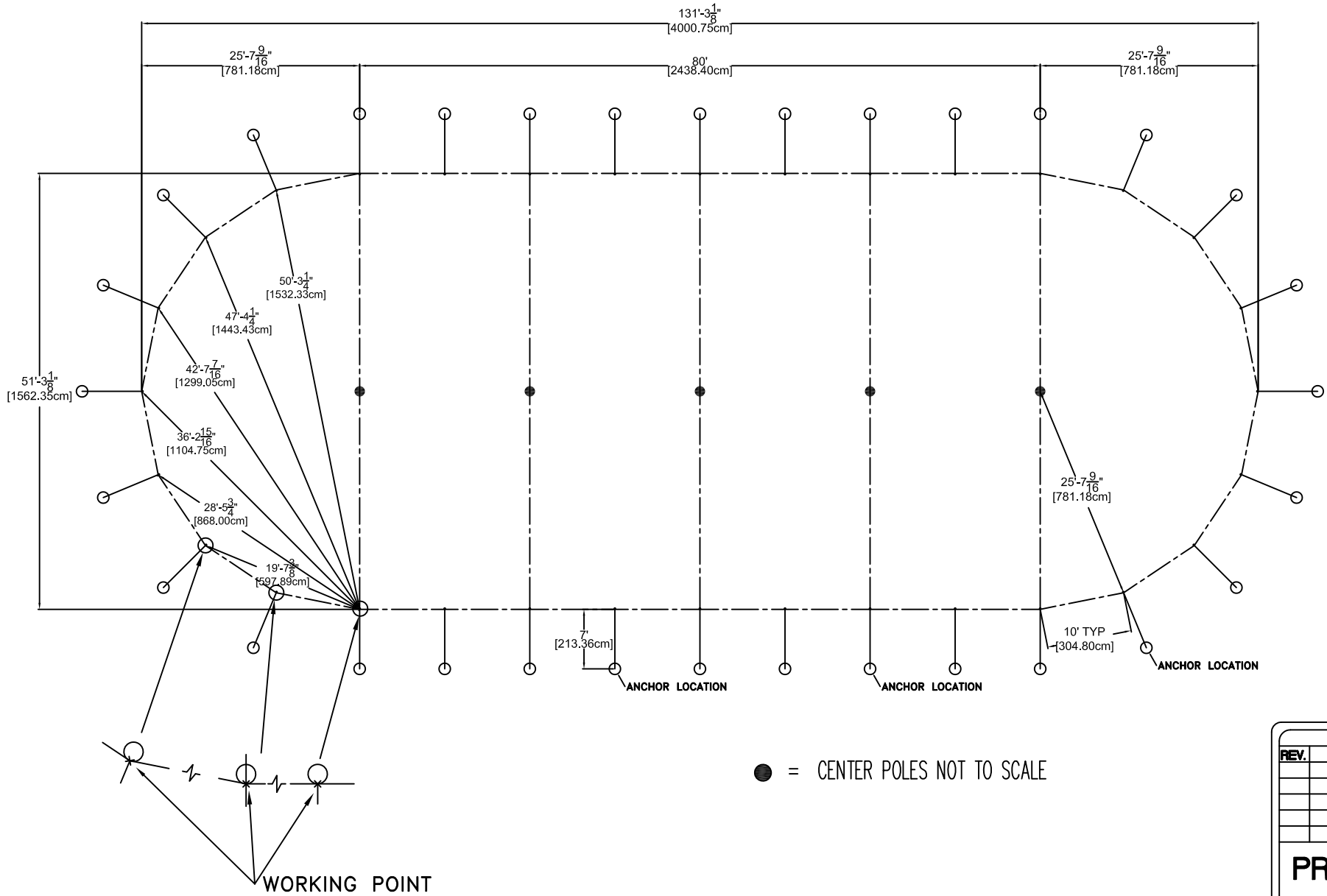
REVISION HISTORY			
REV.	DESCRIPTION	BY:	DATE:

**PROPRIETARY**

ENGINEER: N/A	DATE: 12/18/2024
PAGE: 1 OF 1	DRAWN: M.CARDENAS



# 51x TIDEWATER SQUARING DIAGRAM



● = CENTER POLES NOT TO SCALE

ALL DATA AND INFORMATION CONTAINED IN OR DISCLOSED BY THIS DOCUMENT IS CONFIDENTIAL AND PROPRIETARY INFORMATION OF AZTEC TENTS AND ALL RIGHTS THEREIN ARE EXPRESSLY RESERVED. BY ACCEPTING THIS MATERIAL THE RECIENT AGREES THAT THIS MATERIAL AND INFORMATION CONTAINED THEREIN IS HELD IN CONFIDENCE AND IN TRUST AND WILL NOT BE COPIED, REPRODUCED, WHOLE OR IN PART, NOR ITS CONTENTS REVEALED IN ANY MANNER TO OTHERS, EXCEPT TO MEET THE SPECIFIC PURPOSE FOR WHICH IT WAS DELIVERED.

**AZTEC TENTS**  
 DESIGN & PRODUCTION  
 2685 COLUMBIA ST. TORRANCE, CA. 90503  
 (800) 228-3687 - FAX (310) 381-0722

**TIDEWATER POLE TENT**  
 51x TIDEWATER SQUARING DIAGRAM  
 PART NUMBER: ZXXXXXX

**REVISION HISTORY**

REV.	DESCRIPTION	BY:	DATE:

**PROPRIETARY**

ENGINEER: N/A DATE: 01/06/2024  
 PAGE: 1 OF 1 DRAWN: M.CARDENAS