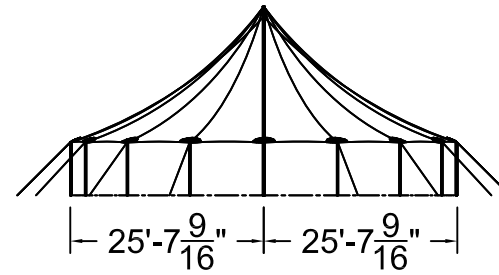
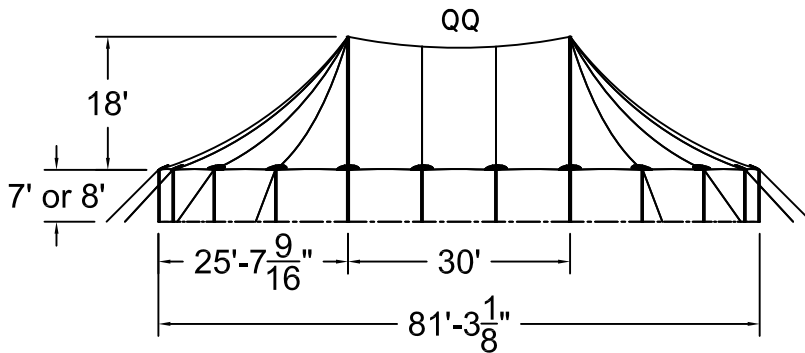


ISOMETRIC VIEW  
3549 SQ. FT

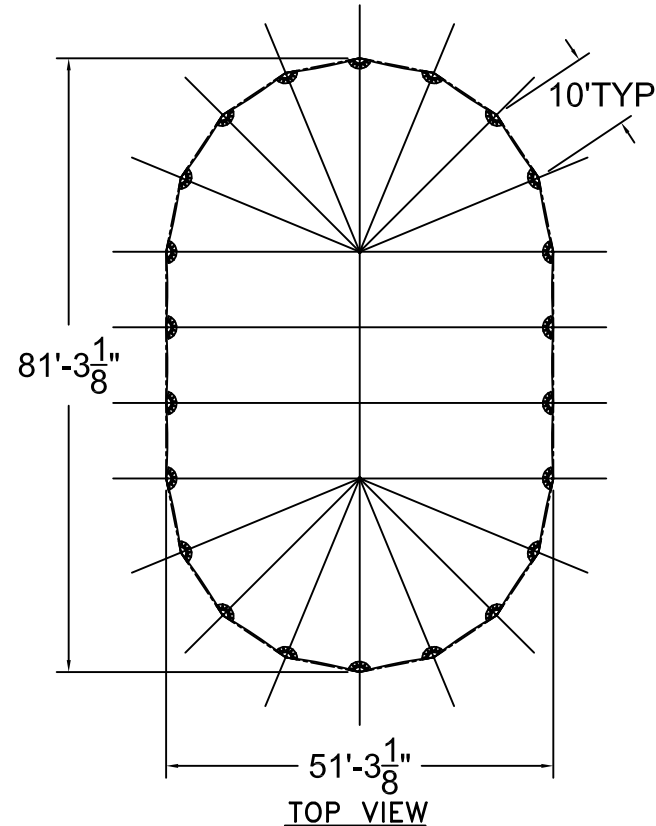


SIDE VIEW

81'W x 51'L TIDEWATER SAIL CLOTH POLE TENT



59'W TW FRONT END



TOP VIEW

ALL DATA AND INFORMATION CONTAINED IN OR DISCLOSED BY THIS DOCUMENT IS CONFIDENTIAL AND PROPRIETARY INFORMATION OF AZTEC TENTS AND ALL RIGHTS THEREIN ARE EXPRESSLY RESERVED. BY ACCEPTING THIS MATERIAL THE RECIENT AGREES THAT THIS MATERIAL AND INFORMATION CONTAINED HEREIN IS HELD IN CONFIDENCE AND IN TRUST AND WILL NOT BE COPIED, REPRODUCED, WHOLE OR IN PART, NOR ITS CONTENTS REVEALED IN ANY MANNER TO OTHERS, EXCEPT TO MEET THE SPECIFIC PURPOSE FOR WHICH IT WAS DELIVERED.

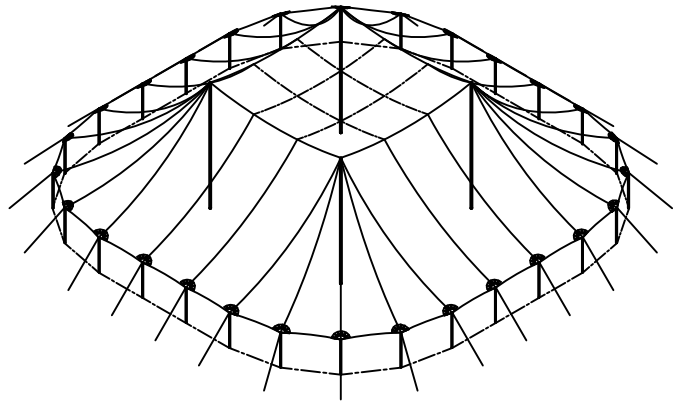
**AZTEC TENTS**  
DESIGN & PRODUCTION  
2685 COLUMBIA ST. TORRANCE, CA. 90503  
(800) 228-3687 - FAX (310) 381-0722

**TIDEWATER POLE TENT**  
81'W x 51'L  
**TIDEWATER SAIL CLOTH POLE TENT**  
PART NUMBER: ZXXXXXX

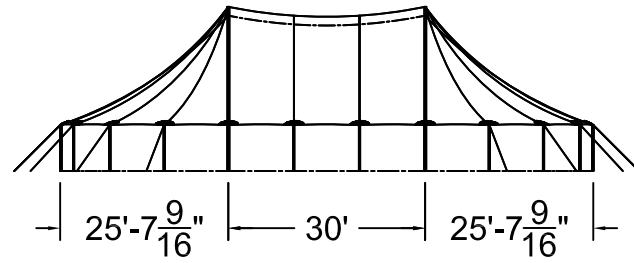
REVISION HISTORY			
REV.	DESCRIPTION	BY:	DATE:

**PROPRIETARY**

ENGINEER: N/A	DATE: 02/04/2024
PAGE: 1 OF 1	DRAWN: M.CARDENAS

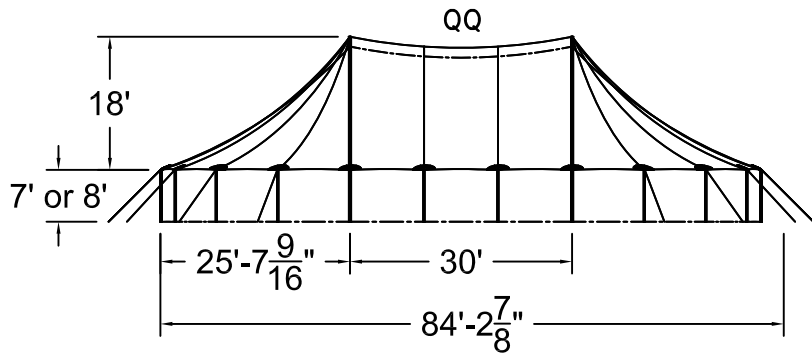


ISOMETRIC VIEW  
5986 SQ. FT

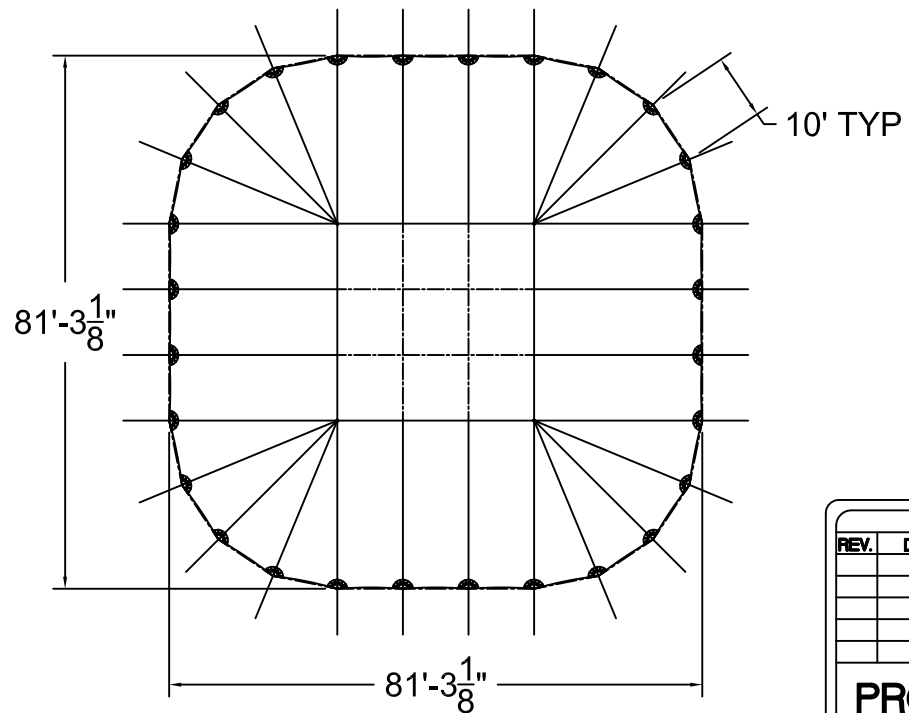


SIDE VIEW

81'W x 81'L TIDEWATER SAIL CLOTH POLE TENT



59'W TW FRONT END



TOP VIEW

ALL DATA AND INFORMATION CONTAINED IN OR DISCLOSED BY THIS DOCUMENT IS CONFIDENTIAL AND PROPRIETARY INFORMATION OF AZTEC TENTS AND ALL RIGHTS THEREIN ARE EXPRESSLY RESERVED. BY ACCEPTING THIS MATERIAL THE RECIPIENT AGREES THAT THIS MATERIAL AND INFORMATION CONTAINED THEREIN IS HELD IN CONFIDENCE AND IN TRUST AND WILL NOT BE COPIED, REPRODUCED, WHOLE OR IN PART, NOR ITS CONTENTS REVEALED IN ANY MANNER TO OTHERS, EXCEPT TO MEET THE SPECIFIC PURPOSE FOR WHICH IT WAS DELIVERED.

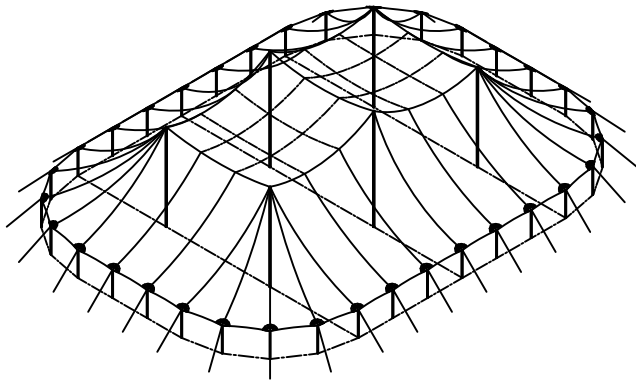
**AZTEC TENTS**  
DESIGN & PRODUCTION  
2685 COLUMBIA ST. TORRANCE, CA. 90503  
(800) 228-3687 - FAX (310) 381-0722

**TIDEWATER POLE TENT**  
81'W x 81'L  
**TIDEWATER SAIL CLOTH POLE TENT**  
PART NUMBER: ZXXXXXX

REVISION HISTORY			
REV.	DESCRIPTION	BY:	DATE:

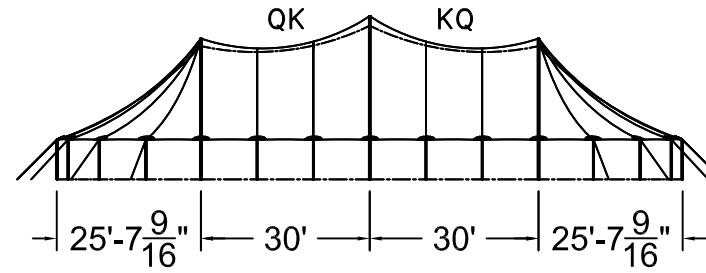
**PROPRIETARY**

ENGINEER:	N/A	DATE:	02/04/2024
PAGE:	1 OF 1	DRAWN:	M.CARDENAS



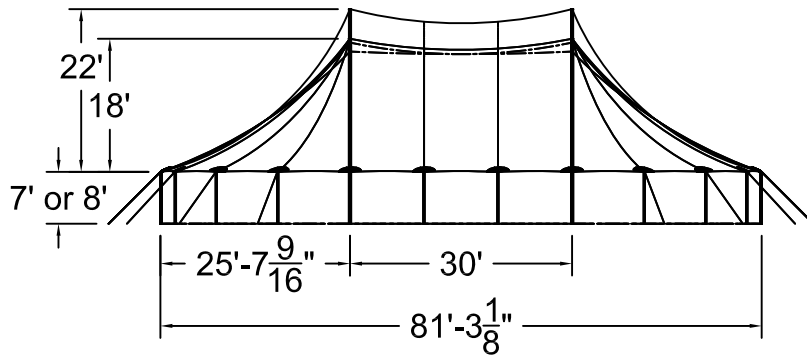
ISOMETRIC VIEW

8424 SQ. FT

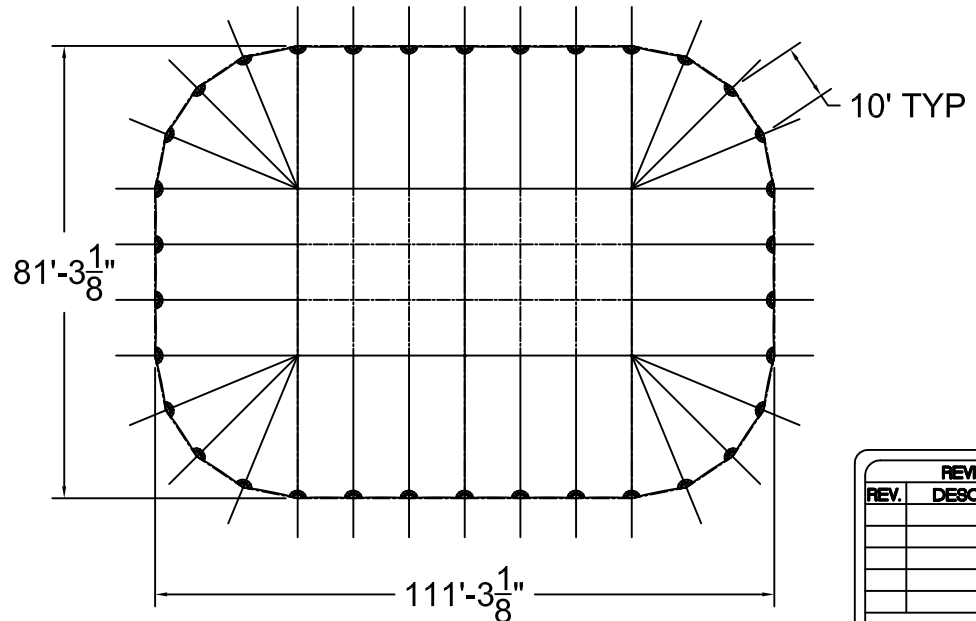


SIDE VIEW

81'W x 111'L TIDEWATER SAIL CLOTH POLE TENT



59'W TW FRONT END



TOP VIEW

ALL DATA AND INFORMATION CONTAINED IN OR DISCLOSED BY THIS DOCUMENT IS CONFIDENTIAL AND PROPRIETARY INFORMATION OF AZTEC TENTS AND ALL RIGHTS THEREIN ARE EXPRESSLY RESERVED. BY ACCEPTING THIS MATERIAL THE RECIENT AGREES THAT THIS MATERIAL AND INFORMATION CONTAINED HEREIN IS HELD IN CONFIDENCE AND IN TRUST, AND WILL NOT BE COPIED, REPRODUCED, WHOLE OR IN PART, NOR ITS CONTENTS REVEALED IN ANY MANNER TO OTHERS, EXCEPT TO MEET THE SPECIFIC PURPOSE FOR WHICH IT WAS DELIVERED.

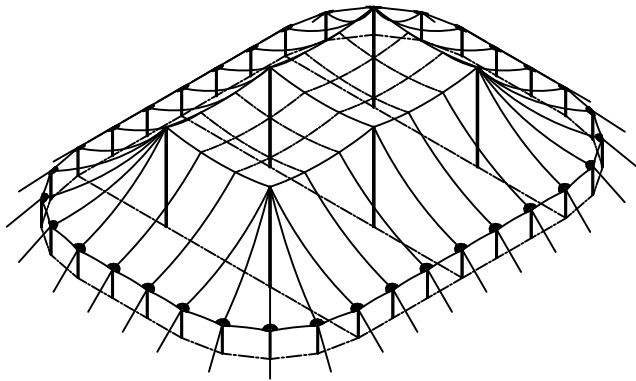
**AZTEC TENTS**  
 DESIGN & PRODUCTION  
 2685 COLUMBIA ST. TORRANCE, CA. 90503  
 (800) 228-3687 - FAX (310) 381-0722

**TIDEWATER POLE TENT**  
 81'W x 111'L x 30' BAYS  
**TIDEWATER SAIL CLOTH POLE TENT**  
 PART NUMBER: ZXXXXXX

REVISION HISTORY			
REV.	DESCRIPTION	BY:	DATE:

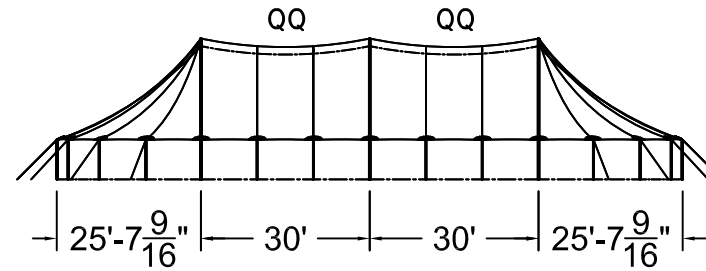
**PROPRIETARY**

ENGINEER: N/A	DATE: 02/04/2024
PAGE: 1 OF 1	DRAWN: M.CARDENAS



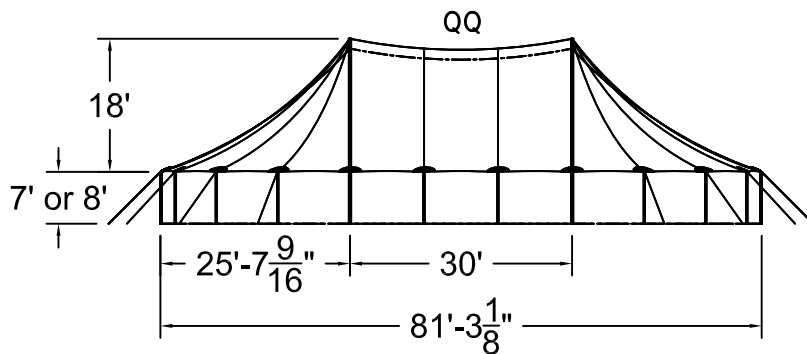
ISOMETRIC VIEW

8424 SQ. FT

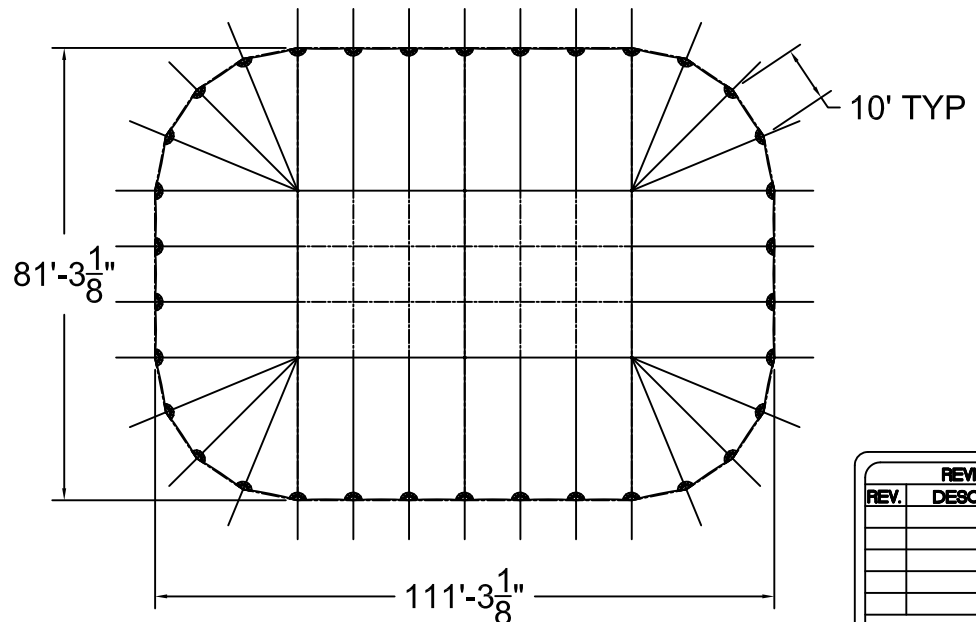


SIDE VIEW

81'W x 111'L TIDEWATER SAIL CLOTH POLE TENT



59'W TW FRONT END



TOP VIEW

ALL DATA AND INFORMATION CONTAINED IN OR DISCLOSED BY THIS DOCUMENT IS CONFIDENTIAL AND PROPRIETARY INFORMATION OF AZTEC TENTS AND ALL RIGHTS THEREIN ARE EXPRESSLY RESERVED. BY ACCEPTING THIS MATERIAL THE RECIENT AGREES THAT THIS MATERIAL AND INFORMATION CONTAINED HEREIN IS HELD IN CONFIDENCE AND IN TRUST AND WILL NOT BE COPIED, REPRODUCED, WHOLE OR IN PART, NOR ITS CONTENTS REVEALED IN ANY MANNER TO OTHERS, EXCEPT TO MEET THE SPECIFIC PURPOSE FOR WHICH IT WAS DELIVERED.

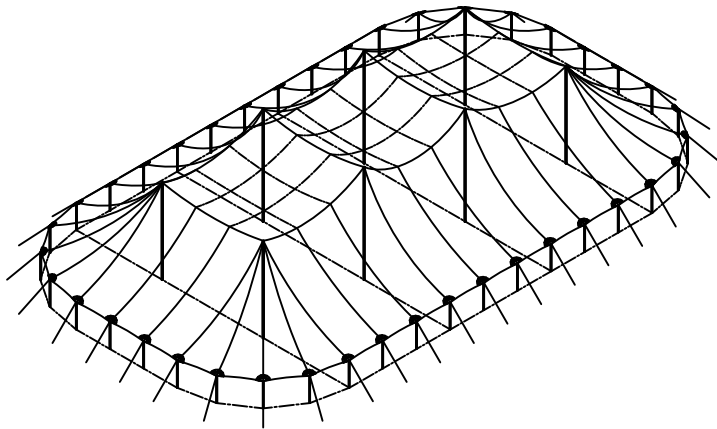
**AZTEC TENTS**  
 DESIGN & PRODUCTION  
 2685 COLUMBIA ST. TORRANCE, CA. 90503  
 (800) 228-3687 - FAX (310) 381-0722

**TIDEWATER POLE TENT**  
 81'W x 111'L x 30' BAYS  
**TIDEWATER SAIL CLOTH POLE TENT**  
 PART NUMBER: ZXXXXXX

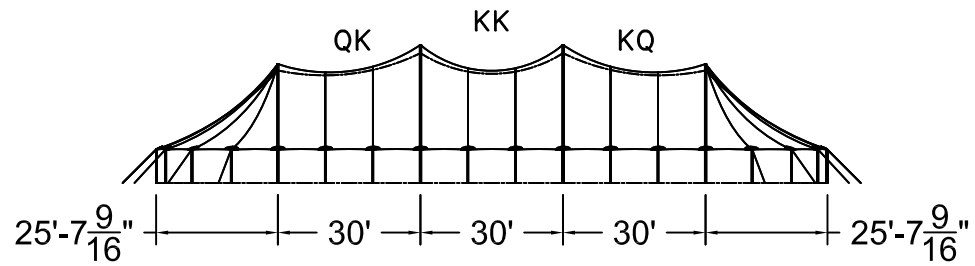
REVISION HISTORY			
REV.	DESCRIPTION	BY:	DATE:

**PROPRIETARY**

ENGINEER: N/A	DATE: 02/04/2024
PAGE: 1 OF 1	DRAWN: M.CARDENAS

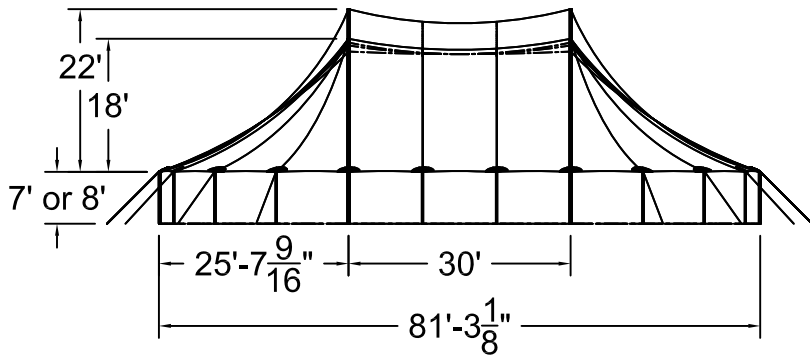


ISOMETRIC VIEW  
10862 SQ. FT

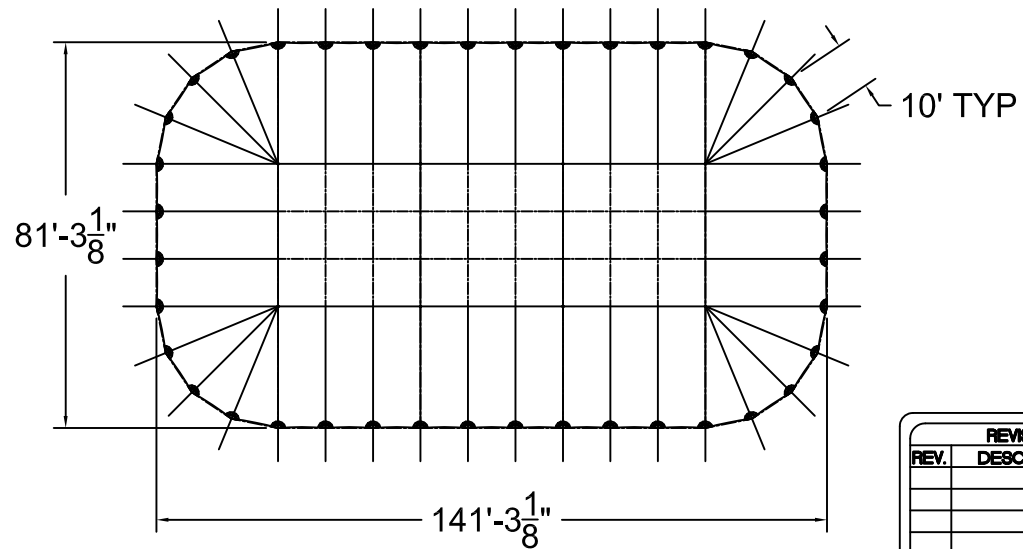


SIDE VIEW

81'W x 141'L TIDEWATER SAIL CLOTH POLE TENT



59'W TW FRONT END



TOP VIEW

ALL DATA AND INFORMATION CONTAINED IN OR DISCLOSED BY THIS DOCUMENT IS CONFIDENTIAL AND PROPRIETARY INFORMATION OF AZTEC TENTS AND ALL RIGHTS THEREIN ARE EXPRESSLY RESERVED. BY ACCEPTING THIS MATERIAL THE RECIENT AGREES THAT THIS MATERIAL AND INFORMATION CONTAINED HEREIN IS HELD IN CONFIDENCE AND IN TRUST AND WILL NOT BE COPIED, REPRODUCED, WHOLE OR IN PART, OR ITS CONTENTS REVEALED IN ANY MANNER TO OTHERS, EXCEPT TO MEET THE SPECIFIC PURPOSE FOR WHICH IT WAS DELIVERED.

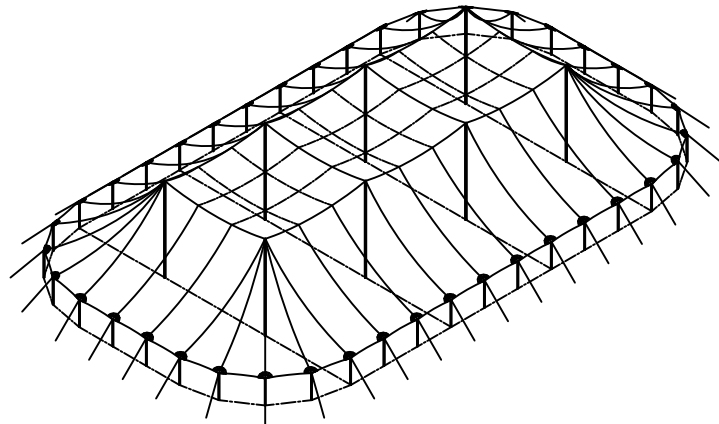
**AZTEC TENTS**  
DESIGN & PRODUCTION  
2685 COLUMBIA ST. TORRANCE, CA. 90503  
(800) 228-3687 - FAX (310) 381-0722

**TIDEWATER POLE TENT**  
81'W x 141'L x 30' BAYS  
**TIDEWATER SAIL CLOTH POLE TENT**  
PART NUMBER: ZXXXXXX

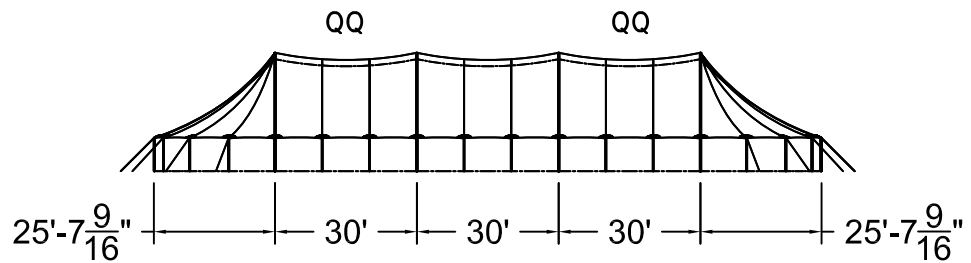
REVISION HISTORY			
REV.	DESCRIPTION	BY:	DATE:

**PROPRIETARY**

ENGINEER: N/A	DATE: 02/04/2024
PAGE: 1 OF 1	DRAWN: M.CARDENAS

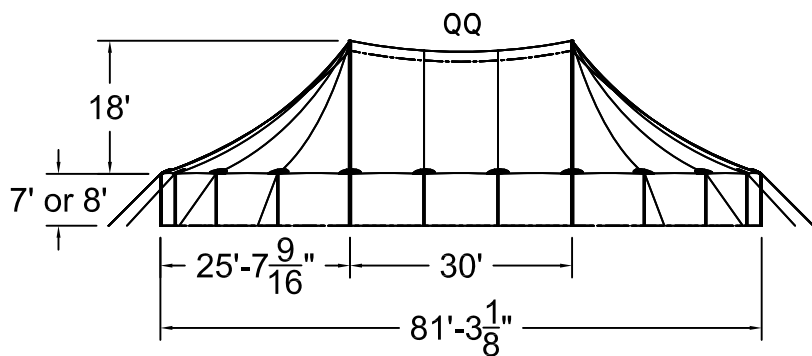


**ISOMETRIC VIEW**  
10862 SQ. FT

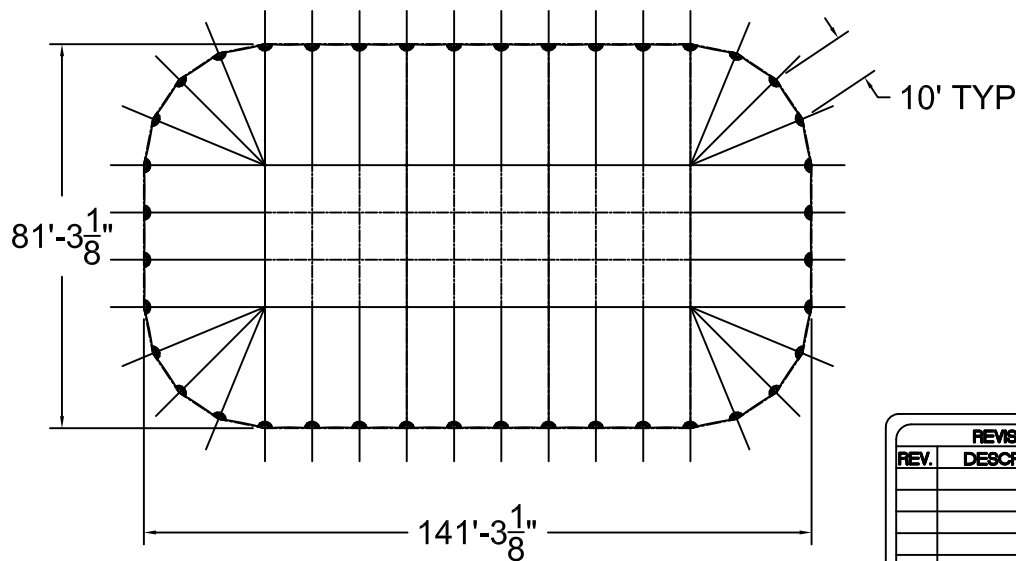


**SIDE VIEW**

**81'W x 141'L TIDEWATER SAIL CLOTH POLE TENT**



**81'W TW FRONT END**



**TOP VIEW**

ALL DATA AND INFORMATION CONTAINED IN OR DISCLOSED BY THIS DOCUMENT IS CONFIDENTIAL AND PROPRIETARY INFORMATION OF AZTEC TENTS AND ALL RIGHTS THEREIN ARE EXPRESSLY RESERVED. BY ACCEPTING THIS MATERIAL THE RECIENT AGREES THAT THIS MATERIAL AND INFORMATION CONTAINED HEREIN IS HELD IN CONFIDENCE AND IN TRUST AND WILL NOT BE COPIED, REPRODUCED, WHOLE OR IN PART, OR ITS CONTENTS REVEALED IN ANY MANNER TO OTHERS, EXCEPT TO MEET THE SPECIFIC PURPOSE FOR WHICH IT WAS DELIVERED.

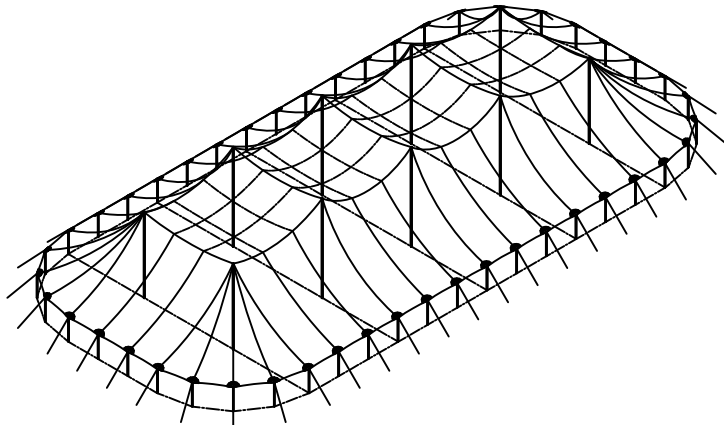
**AZTEC TENTS**  
DESIGN & PRODUCTION  
2685 COLUMBIA ST. TORRANCE, CA. 90503  
(800) 228-3687 - FAX (310) 381-0722

**TIDEWATER POLE TENT**  
81'W x 141'L x 30' BAYS  
**TIDEWATER SAIL CLOTH POLE TENT**  
PART NUMBER: ZXXXXXX

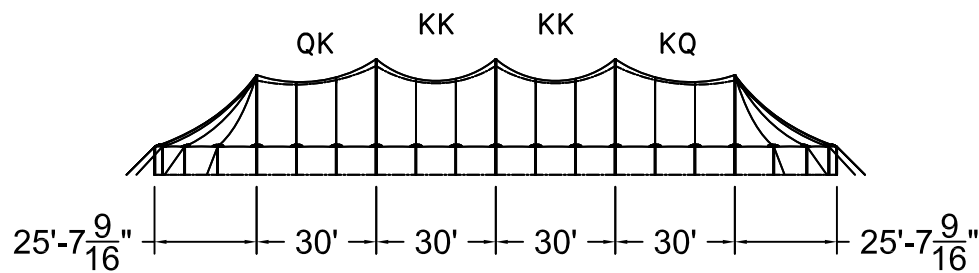
REVISION HISTORY			
REV.	DESCRIPTION	BY:	DATE:

**PROPRIETARY**

ENGINEER: N/A	DATE: 02/04/2024
PAGE: 1 OF 1	DRAWN: M.CARDENAS

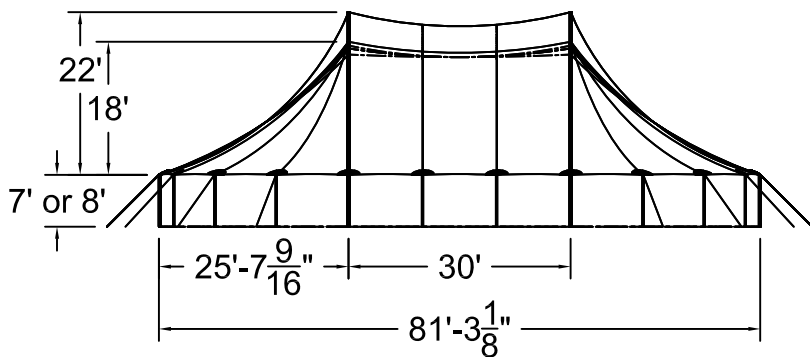


ISOMETRIC VIEW  
13300 SQ. FT

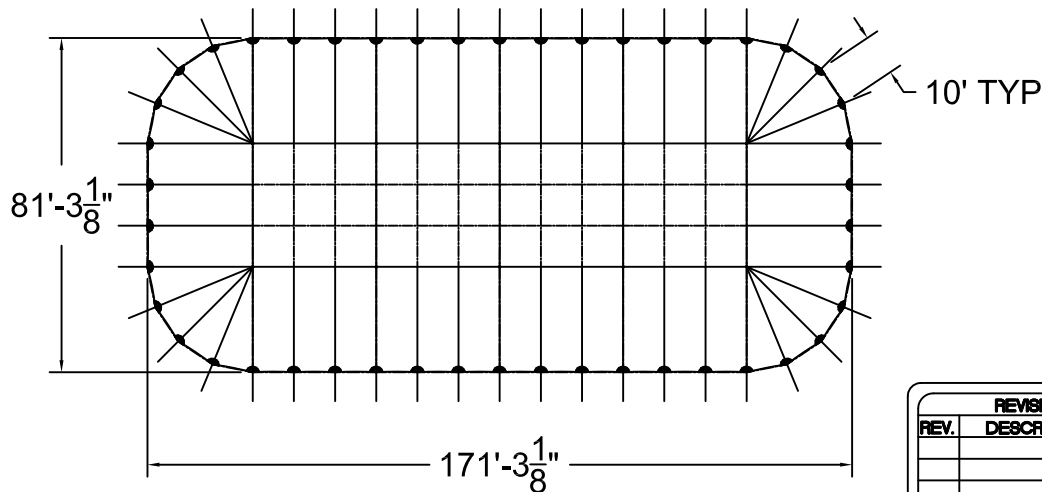


SIDE VIEW

81'W x 171'L TIDEWATER SAIL CLOTH POLE TENT



59'W TW FRONT END



TOP VIEW

ALL DATA AND INFORMATION CONTAINED IN OR DISCLOSED BY THIS DOCUMENT IS CONFIDENTIAL AND PROPRIETARY INFORMATION OF AZTEC TENTS AND ALL RIGHTS THEREIN ARE EXPRESSLY RESERVED. BY ACCEPTING THIS MATERIAL THE RECIENT AGREES THAT THIS MATERIAL AND INFORMATION CONTAINED THEREIN IS HELD IN CONFIDENCE AND IN TRUST AND WILL NOT BE COPIED, REPRODUCED, WHOLE OR IN PART, NOR ITS CONTENTS REVEALED IN ANY MANNER TO OTHERS, EXCEPT TO MEET THE SPECIFIC PURPOSE FOR WHICH IT WAS DELIVERED.

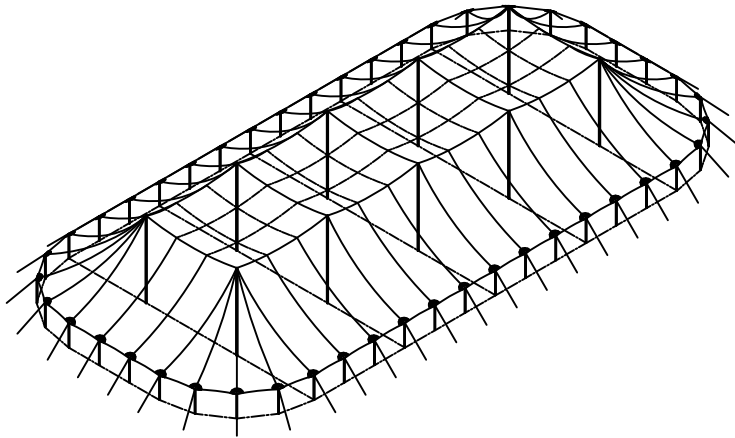
**AZTEC TENTS**  
DESIGN & PRODUCTION  
2685 COLUMBIA ST. TORRANCE, CA. 90503  
(800) 228-3687 - FAX (310) 381-0722

**TIDEWATER POLE TENT**  
81'W x 171'L x 30' BAYS  
**TIDEWATER SAIL CLOTH POLE TENT**  
PART NUMBER: ZXXXXXX

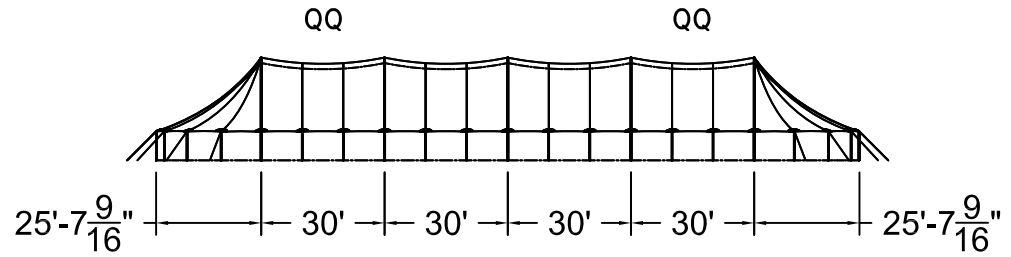
REVISION HISTORY			
REV.	DESCRIPTION	BY:	DATE:

**PROPRIETARY**

ENGINEER: N/A	DATE: 02/04/2024
PAGE: 1 OF 1	DRAWN: M.CARDENAS

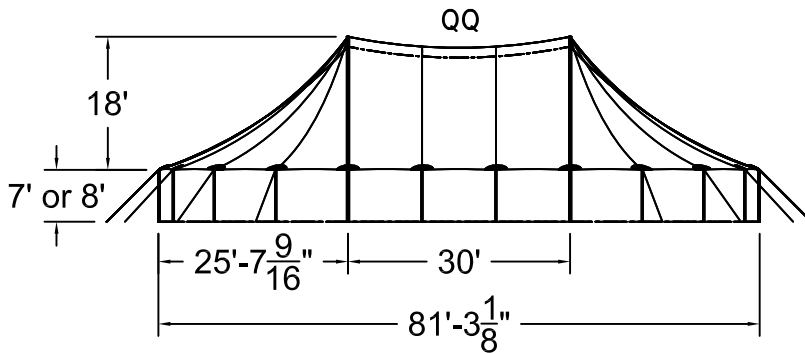


ISOMETRIC VIEW  
13300 SQ. FT

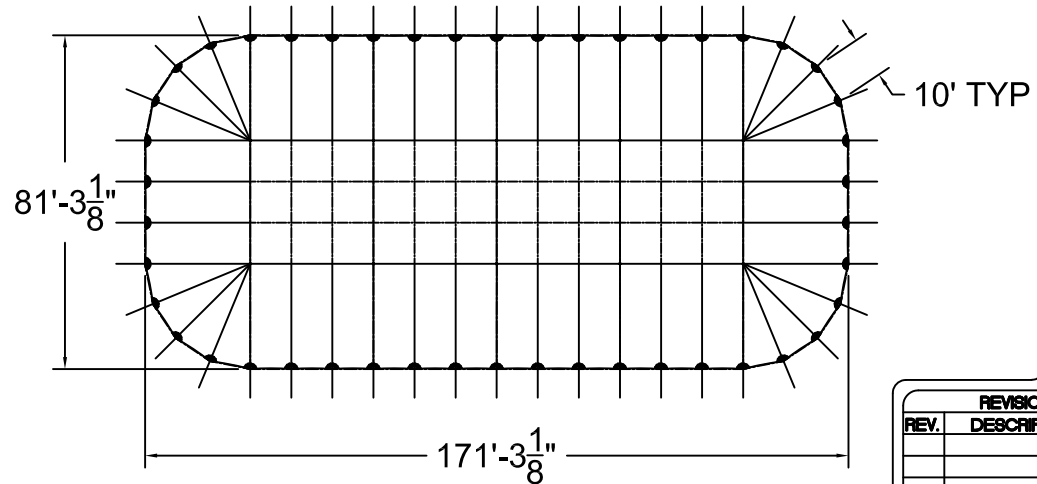


SIDE VIEW

81'W x 171'L TIDEWATER SAIL CLOTH POLE TENT



81'W TW FRONT END



TOP VIEW

ALL DATA AND INFORMATION CONTAINED IN OR DISCLOSED BY THIS DOCUMENT IS CONFIDENTIAL AND PROPRIETARY INFORMATION OF AZTEC TENTS AND ALL RIGHTS THEREIN ARE EXPRESSLY RESERVED. BY ACCEPTING THIS MATERIAL THE RECIENT AGREES THAT THIS MATERIAL AND INFORMATION CONTAINED HEREIN IS HELD IN CONFIDENCE AND IN TRUST AND WILL NOT BE COPIED, REPRODUCED, WHOLE OR IN PART, OR ITS CONTENTS REVEALED IN ANY MANNER TO OTHERS, EXCEPT TO MEET THE SPECIFIC PURPOSE FOR WHICH IT WAS DELIVERED.

**AZTEC TENTS**  
DESIGN & PRODUCTION  
2685 COLUMBIA ST. TORRANCE, CA. 90503  
(800) 228-3687 - FAX (310) 381-0722

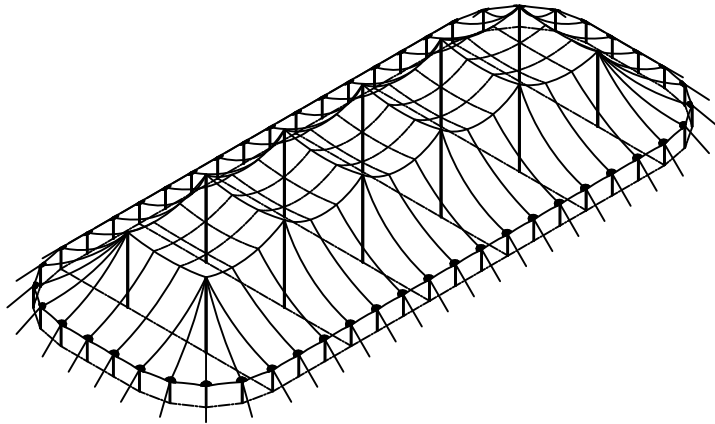
**TIDEWATER POLE TENT**  
81'W x 171'L x 30' BAYS  
**TIDEWATER SAIL CLOTH POLE TENT**  
PART NUMBER: ZXXXXXX

REVISION HISTORY			
REV.	DESCRIPTION	BY:	DATE:

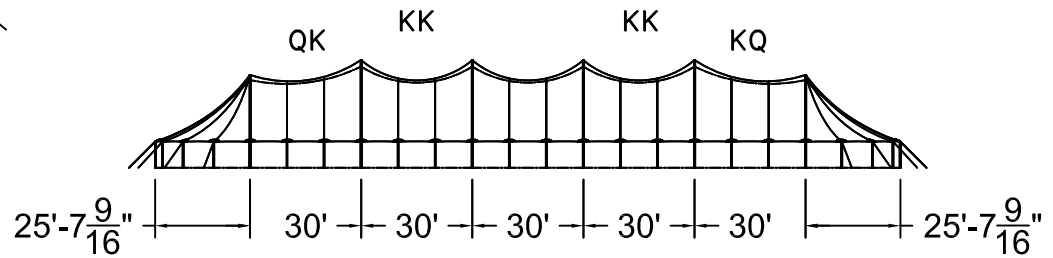
**PROPRIETARY**

ENGINEER: N/A	DATE: 02/04/2024
PAGE: 1 OF 1	DRAWN: M.CARDENAS



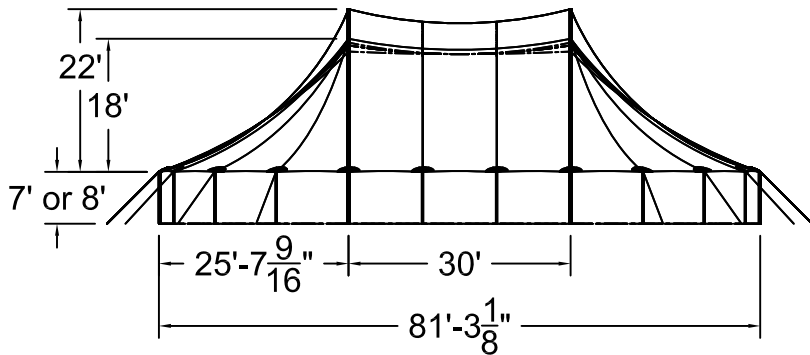


ISOMETRIC VIEW  
15738 SQ. FT

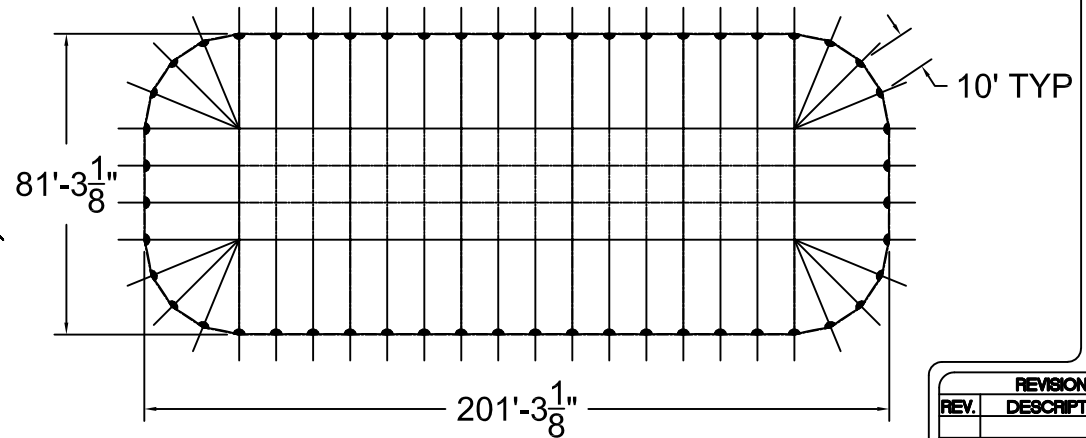


SIDE VIEW

81'W x 201'L TIDEWATER SAIL CLOTH POLE TENT



59'W TW FRONT END



TOP VIEW

ALL DATA AND INFORMATION CONTAINED IN OR DISCLOSED BY THIS DOCUMENT IS CONFIDENTIAL AND PROPRIETARY INFORMATION OF AZTEC TENTS AND ALL RIGHTS THEREIN ARE EXPRESSLY RESERVED. BY ACCEPTING THIS MATERIAL THE RECIPIENT AGREES THAT THIS MATERIAL AND INFORMATION CONTAINED HEREIN IS HELD IN CONFIDENCE AND IN TRUST AND WILL NOT BE COPIED, REPRODUCED, WHOLE OR IN PART, NOR ITS CONTENTS REVEALED IN ANY MANNER TO OTHERS, EXCEPT TO MEET THE SPECIFIC PURPOSE FOR WHICH IT WAS DELIVERED.

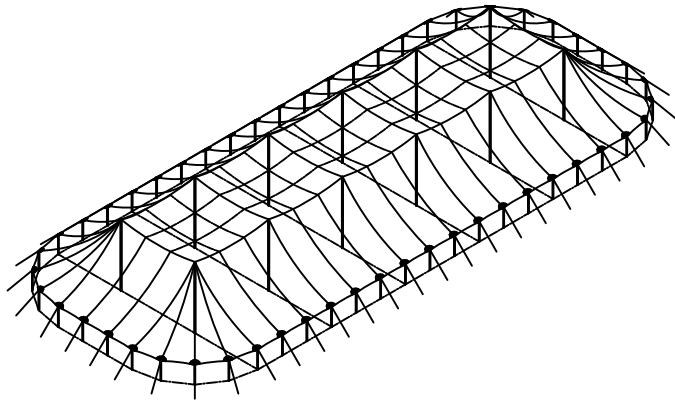
**AZTEC TENTS**  
DESIGN & PRODUCTION  
2685 COLUMBIA ST. TORRANCE, CA. 90503  
(800) 228-3687 - FAX (310) 381-0722

**TIDEWATER POLE TENT**  
81'W x 201'L x 30' BAYS  
**TIDEWATER SAIL CLOTH POLE TENT**  
PART NUMBER: ZXXXXXX

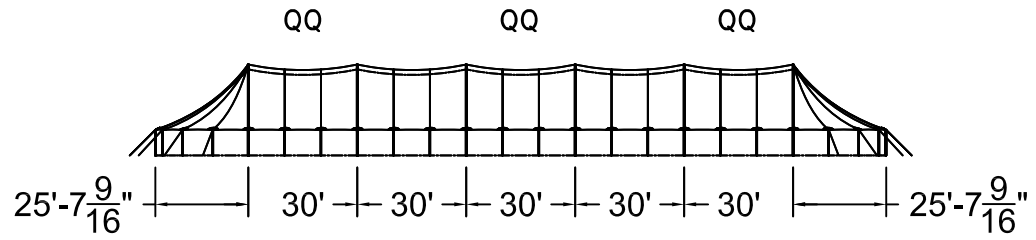
REVISION HISTORY			
REV.	DESCRIPTION	BY:	DATE:

**PROPRIETARY**

ENGINEER: N/A	DATE: 02/04/2024
PAGE: 1 OF 1	DRAWN: M.CARDENAS

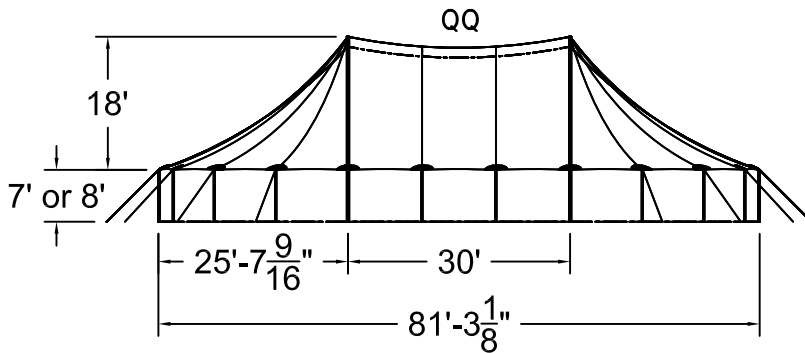


ISOMETRIC VIEW  
15738 SQ. FT

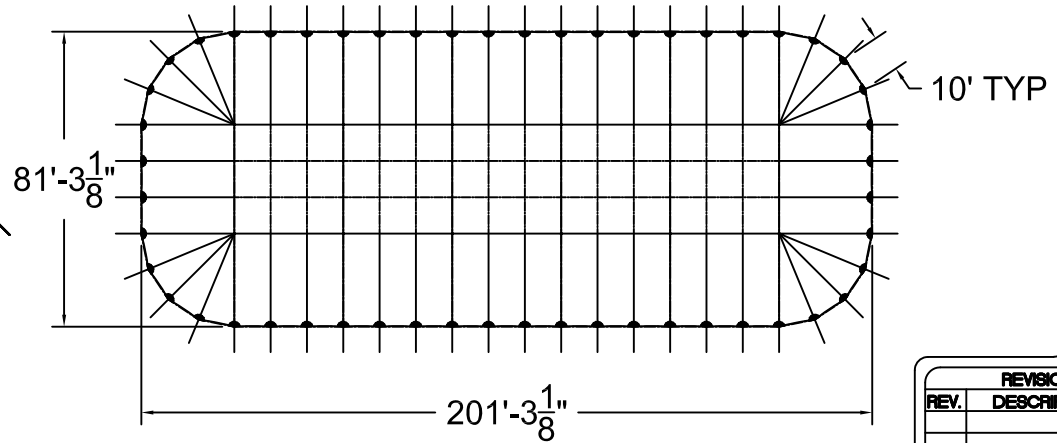


SIDE VIEW

81'W x 201'L TIDEWATER SAIL CLOTH POLE TENT



81'W TW FRONT END



TOP VIEW

ALL DATA AND INFORMATION CONTAINED IN OR DISCLOSED BY THIS DOCUMENT IS CONFIDENTIAL AND PROPRIETARY INFORMATION OF AZTEC TENTS AND ALL RIGHTS THEREIN ARE EXPRESSLY RESERVED. BY ACCEPTING THIS MATERIAL THE RECIENT AGREES THAT THIS MATERIAL AND INFORMATION CONTAINED HEREIN IS HELD IN CONFIDENCE AND IN TRUST AND WILL NOT BE COPIED, REPRODUCED, WHOLE OR IN PART, OR ITS CONTENTS REVEALED IN ANY MANNER TO OTHERS, EXCEPT TO MEET THE SPECIFIC PURPOSE FOR WHICH IT WAS DELIVERED.

**AZTEC TENTS**  
DESIGN & PRODUCTION  
2685 COLUMBIA ST. TORRANCE, CA. 90503  
(800) 228-3687 - FAX (310) 381-0722

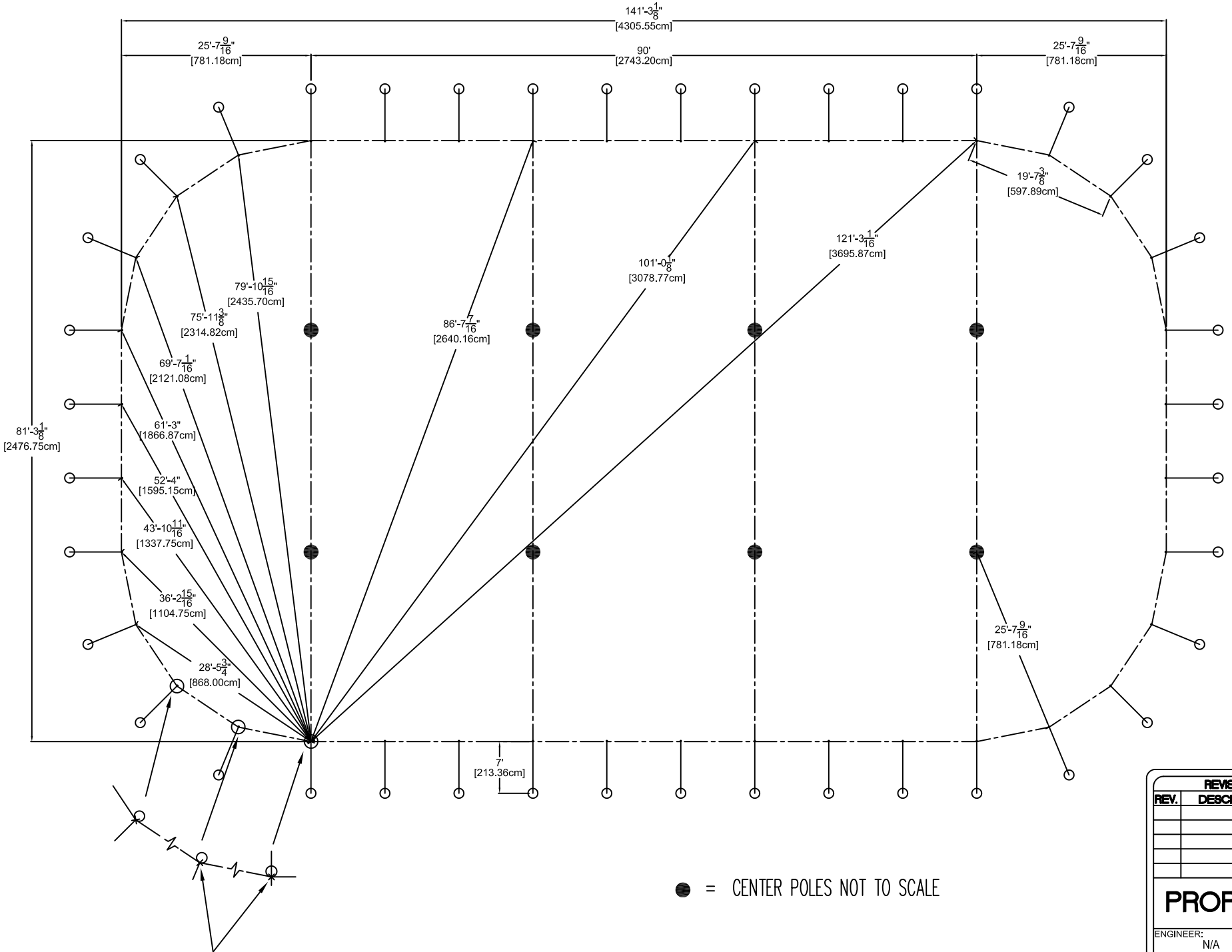
**TIDEWATER POLE TENT**  
81'W x 201'L x 30' BAYS  
**TIDEWATER SAIL CLOTH POLE TENT**  
PART NUMBER: ZXXXXXX

REVISION HISTORY			
REV.	DESCRIPTION	BY:	DATE:

**PROPRIETARY**

ENGINEER: N/A	DATE: 02/04/2024
PAGE: 1 OF 1	DRAWN: M.CARDENAS

# 81x TIDEWATER SQUARING DIAGRAM



ALL DATA AND INFORMATION CONTAINED IN OR DISCLOSED BY THIS DOCUMENT IS CONFIDENTIAL AND PROPRIETARY INFORMATION OF AZTEC TENTS AND ALL RIGHTS THEREIN ARE EXPRESSLY RESERVED. BY ACCEPTING THIS MATERIAL THE RECIENT AGREES THAT THIS MATERIAL AND INFORMATION CONTAINED HEREIN IS HELD IN CONFIDENCE AND IN TRUST AND WILL NOT BE COPIED, REPRODUCED, WHOLE OR IN PART, NOR ITS CONTENTS REVEALED IN ANY MANNER TO OTHERS, EXCEPT TO MEET THE SPECIFIC PURPOSE FOR WHICH IT WAS DELIVERED.

**AZTEC TENTS**  
 DESIGN & PRODUCTION  
 2685 COLUMBIA ST. TORRANCE, CA. 90503  
 (800) 228-3687 - FAX (310) 381-0722

**TIDEWATER POLE TENT**  
**81x TIDEWATER SQUARING DIAGRAM**  
 PART NUMBER: ZXXXXXX

REVISION HISTORY			
REV.	DESCRIPTION	BY:	DATE:

**PROPRIETARY**

ENGINEER: N/A      DATE: 02/04/2025  
 PAGE: 1 OF 1      DRAWN: M.CARDENAS