

INSTALL INSTRUCTIONS



If YOU can IMAGINE it... WE can BUILD it

TIDEWATER SAILCLOTH TENTS

WARNING!

The safe installation and use of commercial tenting products can vary from site to site and during varying climactic conditions. Careful consideration should be paid to any installation during windy conditions and shall be monitored throughout the duration of the installation. Periodic maintenance and monitoring of the installation by the installer is required. Techniques other than those specified in this document may be required during these types of conditions.

Users and installers shall indemnify and hold harmless Aztec Tent for any claim resulting from the improper installation and/or maintenance of this unit.

Soil conditions also vary from site to site. The included anchoring package for this tent may need to be supplemented with alternate anchoring during windy conditions and in areas with questionable soil holding power. Full product engineering may be available.

NOTICE

This tent product is not intended to be used as a shelter from severe weather. Aztec assumes no liability for such use. An evacuation plan for the area covered within this tented space is imperative and shall be thoroughly posted for all users and potential occupants of the tent. Severe weather including electrical storm systems, moderate to severe wind, heavy rains, snow, or any condition that raises any doubt to the structural integrity of the tent are immediate signs that an evacuation is necessary. Severe bodily injury and/or death can occur.

The installation of electrical, plumbing, lighting, appliances and/or HVAC equipment are not covered within this manual. Users/Installers shall follow local code requirements for the installation of these items using certified personnel. Aztec Tents shall be indemnified and held harmless from any such use or injury resulting from its use.

IMPORTANT SAFETY INFORMATION

Proper personnel safety equipment should be worn at all times during the installation of any tenting products.

Hard Hat

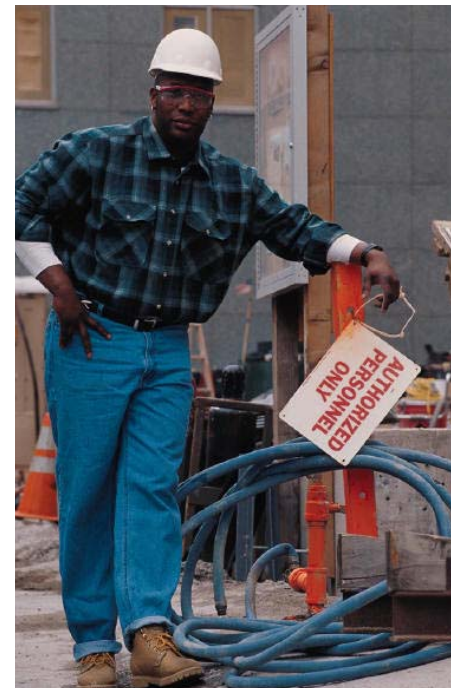
Safety Glasses

Work Gloves

Long Pants

Steel Toe Boots

OSHA Approved Harness and restraint system (for off ground activities)



Thank you for your recent purchase from Aztec Tents. The following procedures will help you through your installation. If you ever run into problems with the installation of your Aztec Tent , please call one of our sales/service professionals. A complete listing of sales, service, and operational support is always available on our website at www.aztectents.com.

Contents

Fabric Care & Warnings	4
Installation Instructions	6-7
20'x Standard Diagrams	8-10
32'x Standard Diagrams	11-14
44'x Standard Diagrams	15-19
20'x Squaring Layout	20
32'x Squaring Layout	21
44'x Squaring Layout	22
Parts List	23

Items Required for Installation

100' Tape Measure (1ea)

300' Tape Measure (1ea)

Marking Paint or Marking chalk (Depending on surface)

Drop Cloth/Ground Cloth

Sledge Hammer

Questions? Call us.

Aztec Tents

2665 Columbia Street
Torrance, CA 90503 USA
Direct (310) 347-3010
Toll Free (800) 228-3687
Fax (310) 381-0722

Fabric Care & Warnings

The sailcloth fabric developed for the Tidewater system requires specific attention during installation, cleaning, and storage to maintain its maximum life span. Unlike conventional tent fabrics, the sailcloth used in the Tidewater system is significantly lighter in weight and significantly more translucent than other tent fabrics. Please follow the following care and maintenance guidelines provided for this product.

GROUND CLOTHS: The usage of ground covering material under the tent during installation and dismantle will protect the tent fabric from soiling and from minor surface abrasions. A ground cloth can also help keep the tent top dry if the ground surface (i.e. dirt, grass, etc.) is wet during the installation or dismantle.

MILDEW TREATMENT: The Tidewater sailcloth fabric is pretreated with mildew inhibitors that help prevent the growth and spreading of mildew and fungus. Although treated, proper care should be given to prevent potential growth. If you see mildew wipe it away immediately with a clean towel and diluted soap solution. Never fold your fabric for storage if the fabric is even slightly wet. Mold/Mildew spores in the air and on the ground will come in contact with the fabric while installed. To grow, all the mildew needs is moisture and some source of food (often found in dirt that might be on the tent). Your best bet is to keep your fabric clean and dry to prevent mildew growth.

FABRIC CLEANING: The best way to clean the Tidewater Sailcloth Fabric is with a soft towel immersed in a diluted solution of warm water and our tent cleaning solution. A diluted and mixed solution of a tablespoon of traditional dish soap with a gallon of warm water will also work well. The process of hand cleaning the fabric will allow you to apply only enough diluted solution to get the fabric clean. This will help limit the amount of water placed on the fabric to expedite drying time. Full immersion of the fabric in water is not recommended. The use of commercial front loading or top loading washing machines is not recommended and will void the warranty of the fabric. These machines cause an excessive amount of stress to the fabric and can force water into the fabric causing increased occurrences of mildew growth and shorten the life of the fabric. As with any cleaning, the fabric should be hung to dry completely before folding and storage. Cleaners that include chlorine, bleach, and/or any petroleum based solvents will degrade the fabric, discolor the fabric and shorten its life span.

FABRIC DRYING: The best way to dry the Tidewater Sailcloth Fabric is to hang-dry in a low humidity environment. Circulating air around the surface of the hanging fabric with the use of fans will also speed the drying process and improve drying time in more humid environments. The use of commercial drying equipment and any drying using heat will void the warranty of the fabric. **DO NOT STORE YOUR FABRIC WET.** Fabric folded and stored wet will mildew.

TENSIONING: The 1" ratchet tensioning system provided with the Tidewater tent system is the recommended method to pull the fabric tight. This tensioning will allow you to properly pull the tent to its intended dimension while minimizing any potential for installers to inadvertently over-tension the fabric.

SQUARING: The proper tensioning of the Tidewater system is highly dependent on accurate and proper placement of the anchoring system in relation to the tent. It is critical to accurately mark each anchor location, each leg base position, and each centerpole base location in order to avoid over stressing the fabric, poles, and anchoring system.

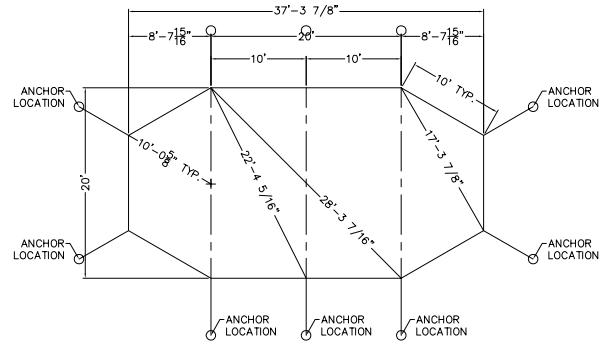
ANCHORING: The safe installation and use of commercial tenting products can vary from site to site and during varying climactic conditions. Careful consideration should be paid to any installation during windy conditions and shall be monitored throughout the duration of the installation. Periodic maintenance and monitoring of the installation by the installer is required. Techniques other than those specified in this document may be required during these types of conditions. Soil conditions also vary from site to site. The included anchoring package for this tent may need to be supplemented with alternate anchoring during windy conditions and in areas with questionable soil holding power.

STORAGE RECOMMENDATIONS: The fabric for the Tidewater system shall be stored DRY in a cool, dry place in the protective vinyl storage bags included with your purchase. Other types of bags are acceptable as long as they can protect the fabric from the environmental elements of the storage area. Poles, anchors, and anchoring tie-downs should also be stored DRY in a cool, dry place to minimize exposure to the elements and to keep clean and in proper working condition.

Installation-

Step 1:

Layout and mark the terminating points for the legs, center-poles, and anchoring. Anchoring points shall be placed at a distance equal to twelve (12") inches less than the leg height and in line of pull that falls directly in line with the corresponding center pole and corresponding leg.



Step 2:

Lay out a ground cloth over the area to be covered by the tent. Unfold the tent top fabric over the ground cloth with the reinforcement side facing down. Stretch out the fabric and pull the perimeter termination plates to the leg points you have marked in step 1. Install the flag poles and flags at the peak of the tent.



Step 3:

Place the stake through the ring end of the In-Line ratchet and drive the stake completely into the ground.



Step 4:

Insert the sidepoles into the perimeter plate fitting/reinforcement around the perimeter of the tent top. Erect side poles and leave just short of vertical. Apply just enough tension to keep the pole in position.



Step 5:

Assemble and erect the center pole(s).

From underneath the tent insert the tip (pin) of the centerpole through the ring at the peak and push the fabric toward the sky until the centerpole is vertical and the bottom of the pole is positioned on the mark made in Step 1.



Image Provided by Chase Canopy Co.

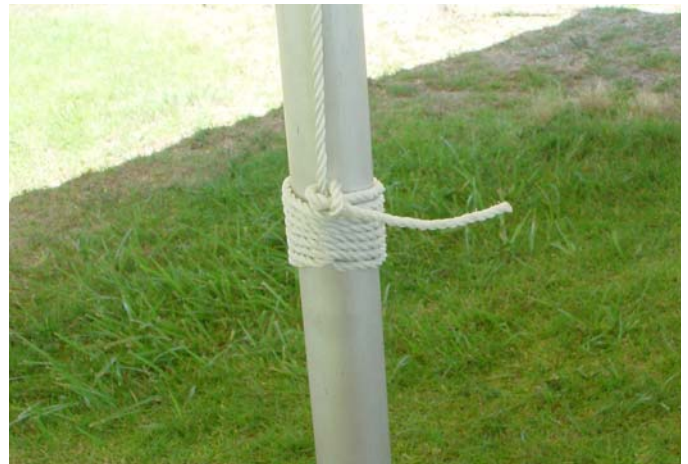
Step 6:

Straighten the sidepoles around the tent so that they are vertical and plum. Use the 1" In-Line Ratchet tensioners to pull the tent top tight. Be careful to not over tension one side of the tent as it will pull the opposite side out of vertical alignment.



Step 7:

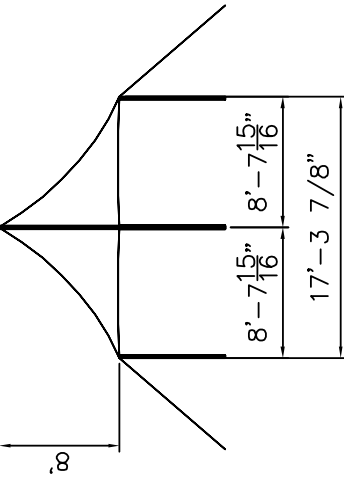
Tie off the jumper ropes. Connected to each reinforcement fitting at the leg pole position and peak positions is a 1/4" Polypropylene rope that should be tied to the poles to prevent the top from lifting off the poles during windy conditions.



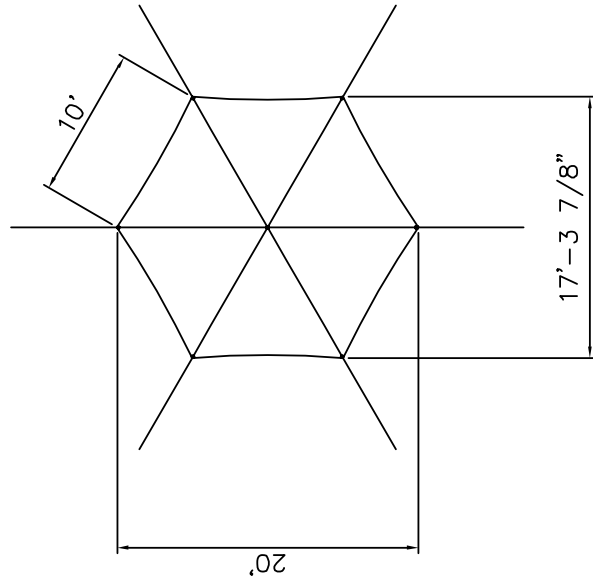
Step 8:

Install any sidewall needed by clipping the top hooks of the wall to the rope-line just under the eave of the tent.

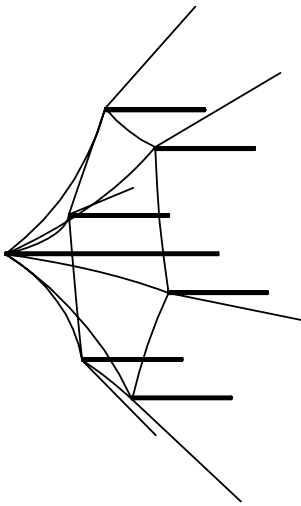




SIDE VIEW



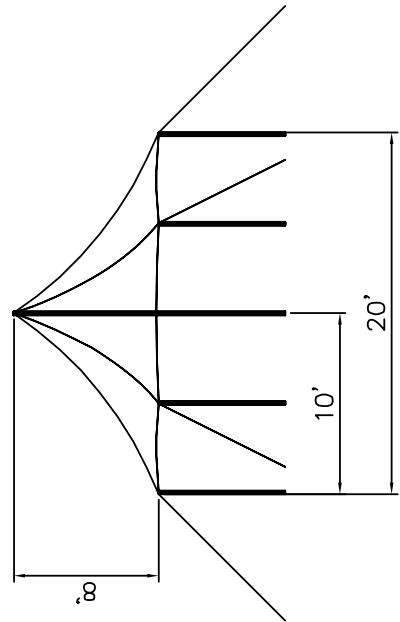
PLAN VIEW



ISOMETRIC VIEW

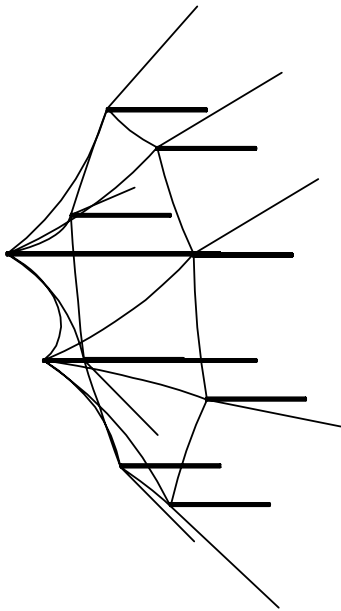
**TIDEWATER SAIL CLOTH TENT
20' x 17' 1pc.**

- (1) 20'x 17' 1PC. TOP (260sqft.)
- (1) 2.5" O.D. ALUM. 2PC. CENTER POLE (15')
- (6) 2.5" O.D. ALUM. 1pc/ 3x3 WOOD SIDE POLE (7'L)
- (6) 1" INLINE RATCHETS - GUY OUT
- (6) 24" STAKE WITH HOOK



END VIEW

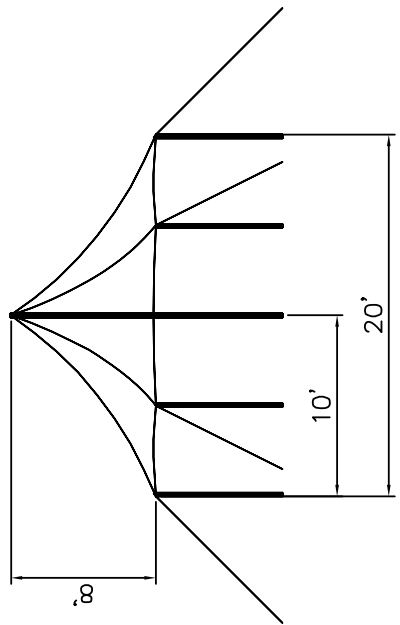
ALL DATA AND INFORMATION CONTAINED IN OR DISCLOSED BY THIS DOCUMENT IS CONFIDENTIAL AND PROPRIETARY INFORMATION OF AZTEC TENTS AND ALL RIGHTS THEREIN ARE EXPRESSLY RESERVED. BY ACCEPTING THIS MATERIAL THE RECIPIENT AGREES THAT THIS MATERIAL AND INFORMATION CONTAINED THEREIN IS HELD IN CONFIDENCE AND IN TRUST AND WILL NOT BE COPIED, REPRODUCED WHOLE OR IN PART, FOR ITS CONTENTS REVEALED IN ANY MANNER TO OTHERS, EXCEPT TO MEET THE SPECIFIC PURPOSE FOR WHICH IT WAS DELIVERED.		AZTEC 2665 COLUMBIA ST. TORRANCE, CA. 90503 (800) 228-3687 - FAX (310) 381-0722		ENGINEER CM DRAWN TTR	CHECKED - DATE 10-15-2008	TIDEWATER SAIL TENT\20x\20x17 042409 1215
STANDARD		PART DESCRIPTION TIDEWATER SAIL CLOTH TENT / STANDARD 20' W x 17' L TIDEWATER SAIL CLOTH TENT		CODE -	SIZE -	DRAWING NUMBER AZ20x17 - TIDEWATER
REV 3						



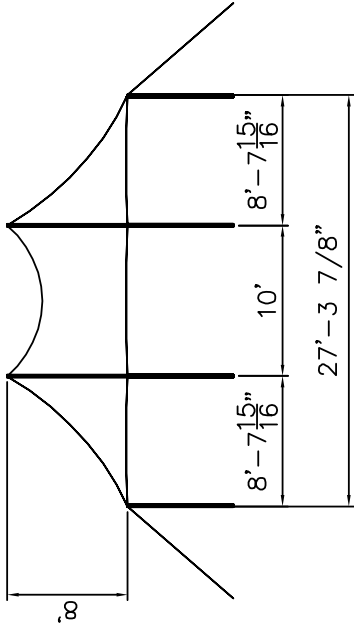
ISOMETRIC VIEW

TIDEWATER SAIL CLOTH TENT
20' x 27' 1pc.

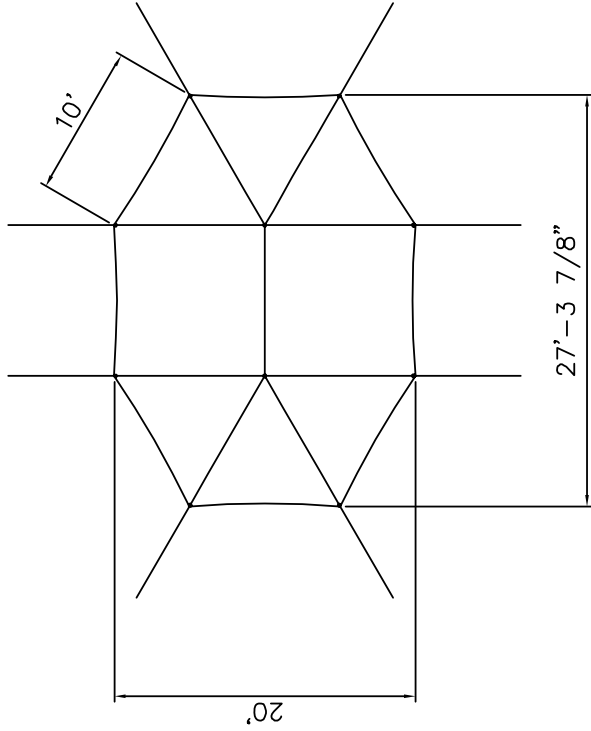
- (1) 20' x 27' 1PC. TOP (460sqft.)
- (2) 2.5" O.D. ALUM. 2PC. CENTER POLE (15')
- (8) 2.5" O.D. ALUM. 1pc/ 3x3 WOOD SIDE POLE (7L)
- (8) 1" INLINE RATCHETS - GUY OUT
- (8) 24" STAKE WITH HOOK



END VIEW



SIDE VIEW



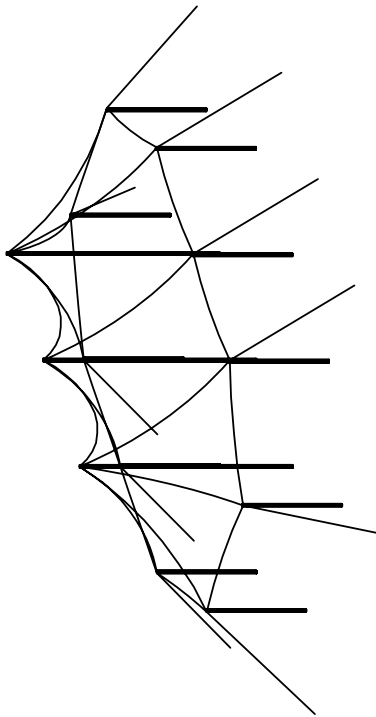
PLAN VIEW

ALL DATA AND INFORMATION CONTAINED IN OR DISCLOSED BY THIS DOCUMENT IS CONFIDENTIAL AND PROPRIETARY INFORMATION OF AZTEC TENTS AND ALL RIGHTS THEREIN ARE EXPRESSLY RESERVED. BY ACCEPTING THIS MATERIAL THE RECIPIENT AGREES THAT HIS MATERIAL AND INFORMATION CONTAINED HEREIN IS HELD IN CONFIDENCE AND IN TRUST, AND WILL NOT BE COPIED, REPRODUCED WHOLE OR IN PART, NOR ITS CONTENTS REVEALED IN ANY MANNER TO OTHERS, EXCEPT TO MEET THE SPECIFIC PURPOSE FOR WHICH IT WAS DELIVERED.

ENGINEER	CM
DRAWN	TTR
CHECKED	-
DATE	10-15-2008

AZTEC
 2665 COLUMBIA ST. TORRANCE, CA. 90503
 (800) 228-3687 - FAX (310) 381-0722

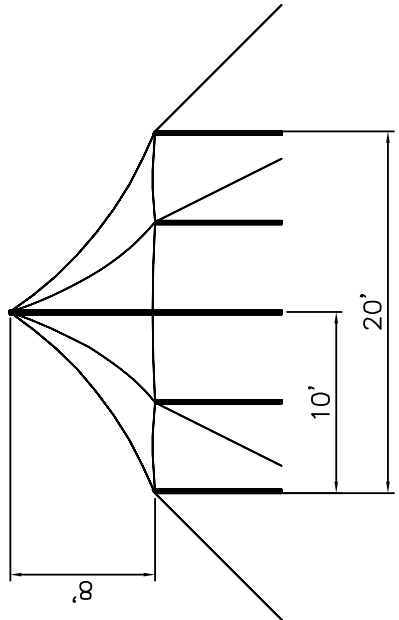
TIDEWATER SAIL CLOTH TENT / STANDARD	
20' W x 27' L TIDEWATER SAIL CLOTH TENT	
PART DESCRIPTION	CODE
SIZE	DRAWING NUMBER
AZ-20x27-TIDEWATER	3



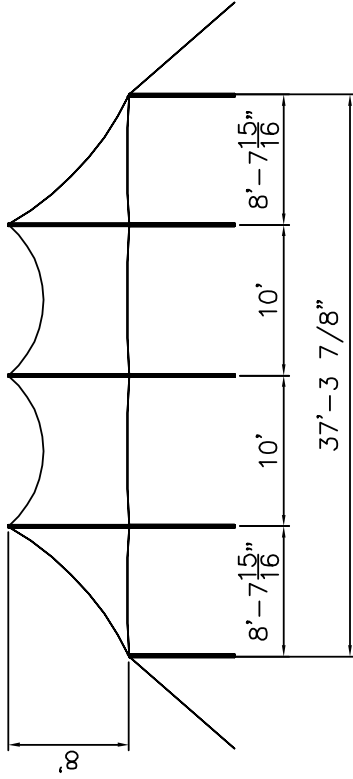
ISOMETRIC VIEW

TIDEWATER SAIL CLOTH TENT
20' x 37' 1pc.

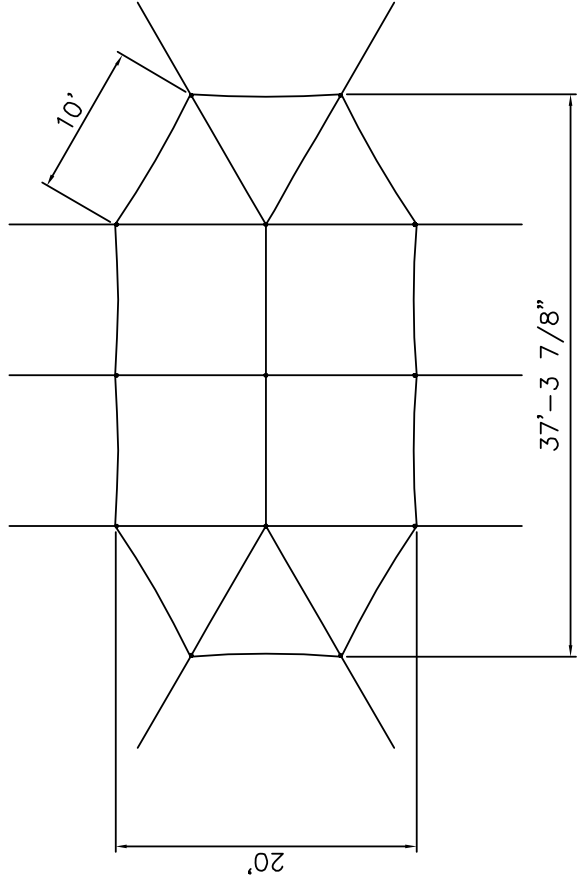
- (1) 20' x 37' 1PC. TOP (660sqft.)
- (3) 2.5" O.D. ALUM. 2PC. CENTER POLE (15')
- (10) 2.5" O.D. ALUM. 1pc/ 3x3 WOOD SIDE POLE (7'L)
- (10) 1" INLINE RATCHETS - GUY OUT
- (10) 24" STAKE WITH HOOK



END VIEW



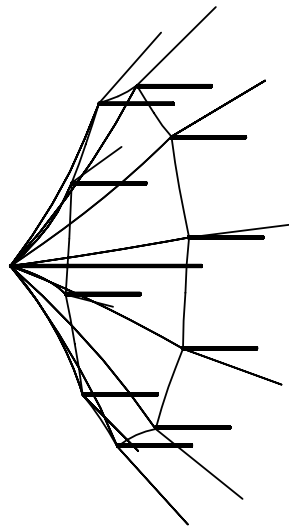
SIDE VIEW



PLAN VIEW

TIDEWATER SAIL TENT\20x\20x37 042409 1215		CHECKED	-	DATE	10-15-2008
ALL DATA AND INFORMATION CONTAINED IN OR DISCLOSED BY THIS DOCUMENT IS CONFIDENTIAL AND PROPRIETARY INFORMATION OF AZTEC TENTS AND ALL RIGHTS THEREIN ARE EXPRESSLY RESERVED. BY ACCEPTING THIS MATERIAL THE RECIPIENT AGREES THAT THIS MATERIAL AND INFORMATION CONTAINED HEREIN IS HELD IN CONFIDENCE AND IN TRUST, AND WILL NOT BE COPIED, REPRODUCED WHOLE OR IN PART, NOR ITS CONTENTS REVEALED IN ANY MANNER TO OTHERS, EXCEPT TO MEET THE SPECIFIC PURPOSE FOR WHICH IT WAS DELIVERED.		ENGINEER	CM	DRAWN	TTR
2665 COLUMBIA ST. TORRANCE, CA. 90503 (800) 228-3687 - FAX (310) 381-0722		AZTEC			

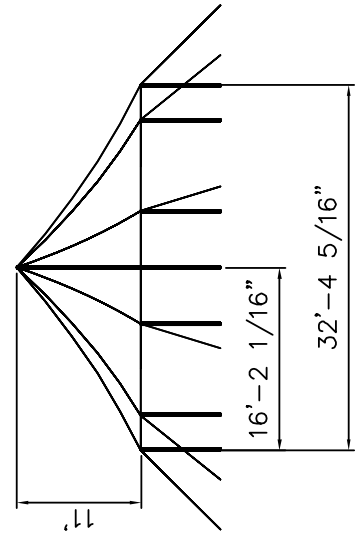
TIDEWATER SAIL CLOTH TENT / STANDARD		REV	3
DRAWING NUMBER		SIZE	
PART DESCRIPTION		CODE	
AZ-20x37-TIDEWATER		REV	3



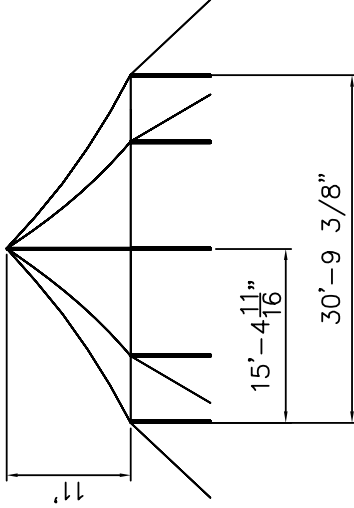
ISOMETRIC VIEW

TIDEWATER SAIL CLOTH TENT
32' x 30' 1pc.

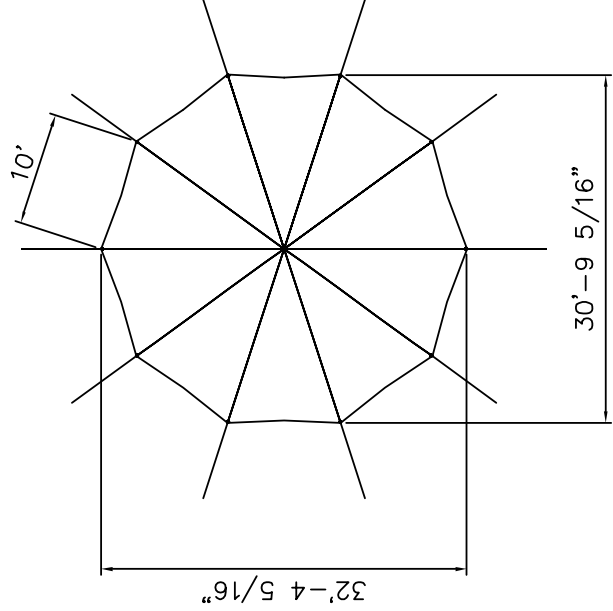
- (1) 32' x 30' 1PC. TOP (760sqft.)
- (1) 4.0" O.D. ALUM. 2PC. CENTER POLE (18')
- (10) 2.5" O.D. ALUM. 1pc/ 3x3 WOOD SIDE POLE (7'L)
- (10) 1" INLINE RATCHETS - GUY OUT
- (10) 36" DOUBLE HEADED STAKES



END VIEW

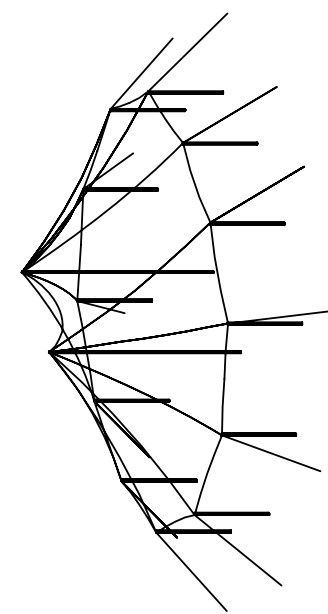


SIDE VIEW



PLAN VIEW

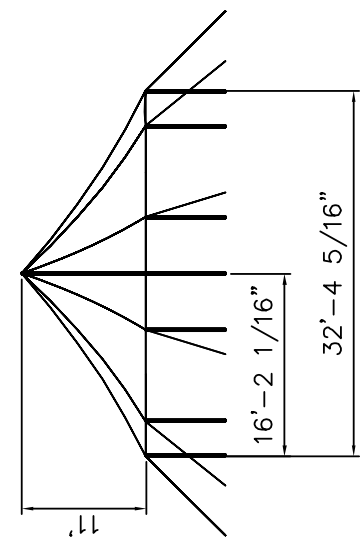
ALL DATA AND INFORMATION CONTAINED IN OR DISCLOSED BY THIS DOCUMENT IS CONFIDENTIAL AND PROPRIETARY INFORMATION OF AZTEC TENTS AND ALL RIGHTS THEREIN ARE EXPRESSLY RESERVED. BY ACCEPTING THIS MATERIAL THE RECIPIENT AGREES THAT THIS MATERIAL AND INFORMATION CONTAINED HEREIN IS HELD IN CONFIDENCE AND IN TRUST, AND WILL NOT BE COPIED, REPRODUCED WHOLE OR IN PART, NOR ITS CONTENTS REVEALED IN ANY MANNER TO OTHERS, EXCEPT TO MEET THE SPECIFIC PURPOSE FOR WHICH IT WAS DELIVERED.		ENGINEER AZTEC 2665 COLUMBIA ST. TORRANCE, CA. 90503 (800) 228-3687 - FAX (310) 381-0722	CHECKED CM DATE 10-20-2008	TIDEWATER SAIL TENT\32x\32x30 042409 1425
PART DESCRIPTION TIDEWATER SAIL CLOTH TENT / STANDARD	CODE AZ-32x30-	DRAWING NUMBER TTR	DRAWING NUMBER TTR	DRAWING NUMBER TTR
TIDEWATER SAIL CLOTH TENT / STANDARD	SIZE 32' W x 30' L TIDEWATER SAIL CLOTH TENT	DRAWING NUMBER TTR	DRAWING NUMBER TTR	REV 4



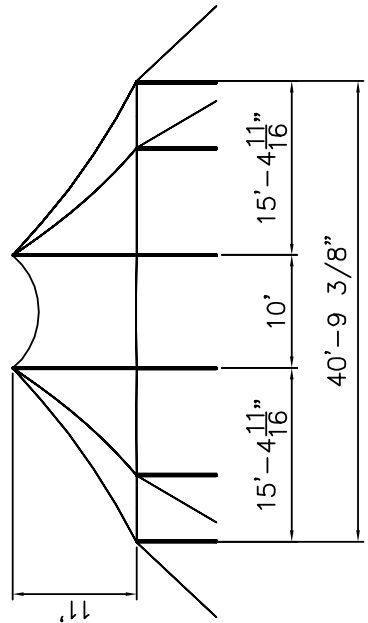
ISOMETRIC VIEW

TIDEWATER SAIL CLOTH TENT
32' x 40' 1pc.

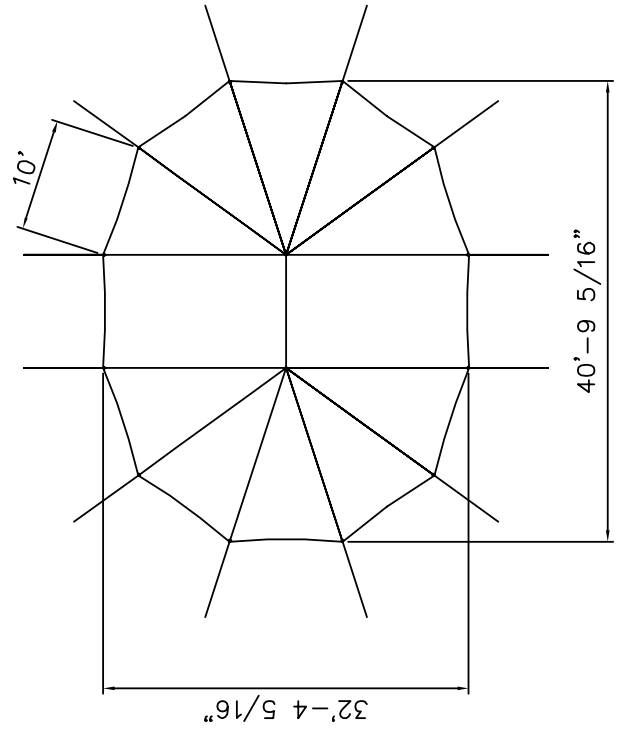
- (1) 32' x 40' 1PC. TOP (1093sqft.)
- (2) 4.0" O.D. ALUM. 3PC. CENTER POLE (18')
- (12) 2.5" O.D. ALUM. 1pc/ 3x3 WOOD SIDE POLE (7'L)
- (12) 1" INLINE RATCHETS - GUY OUT
- (12) 36" DOUBLE HEADED STAKES



END VIEW



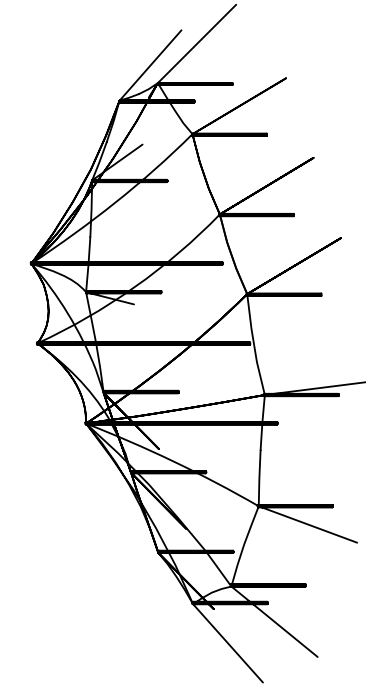
SIDE VIEW



PLAN VIEW

ALL DATA AND INFORMATION CONTAINED IN OR DISCLOSED BY THIS DOCUMENT IS CONFIDENTIAL AND PROPRIETARY INFORMATION OF AZTEC TENTS AND ALL RIGHTS THEREIN ARE EXPRESSLY RESERVED BY ACCEPTING THIS MATERIAL. THE RECIPIENT AGREES THAT THIS MATERIAL AND INFORMATION CONTAINED HEREIN IS HELD IN CONFIDENCE AND IN TRUST, AND WILL NOT BE COPIED, REPRODUCED WHOLE OR IN PART, NOR ITS CONTENTS REVEALED IN ANY MANNER TO OTHERS, EXCEPT TO MEET THE SPECIFIC PURPOSE FOR WHICH IT WAS DELIVERED.		ENGINEER CM DRAWN TTR	CHECKED - DATE 10-16-2008	TIDEWATER SAIL TENT\32x\32x40 020609 1400
STANDARD		PART DESCRIPTION TIDEWATER SAIL CLOTH TENT / STANDARD		
REV	DRAWING NUMBER	CODE	SIZE	
1	AZ-32x40-TIDEWATER			

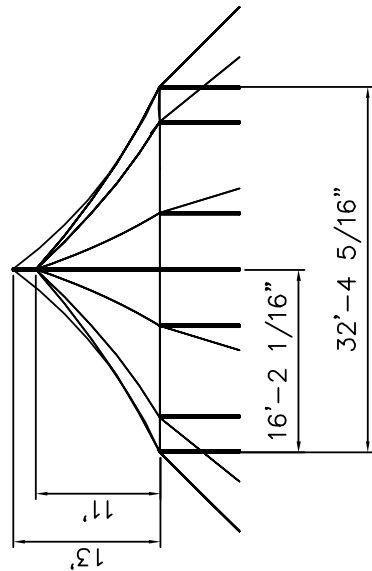
2665 COLUMBIA ST. TORRANCE, CA. 90503
 (800) 228-3687 - FAX (310) 381-0722



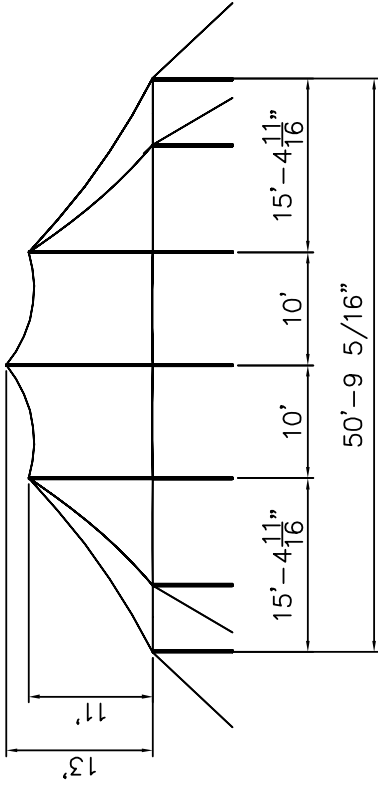
ISOMETRIC VIEW

TIDEWATER SAIL CLOTH TENT
32' x 50' 1pc.

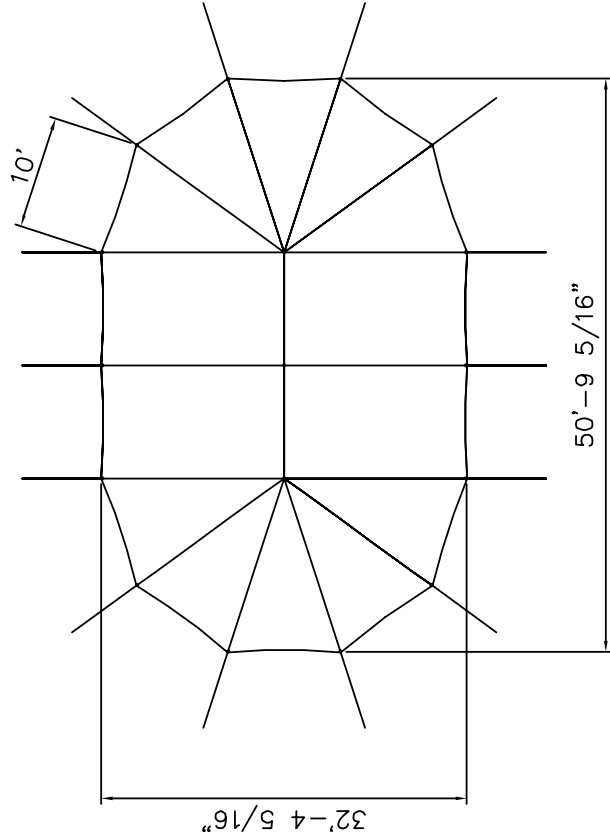
- (1) 32' x 50' 1PC. TOP (1417sqft.)
- (2) 4.0" O.D. ALUM. 3PC. CENTER POLE (18')
- (1) 4.0" O.D. ALUM. 3PC. CENTER POLE (20')
- (14) 2.5" O.D. ALUM. 1pc/ 3x3 WOOD SIDE POLE (7'L)
- (14) 1" INLINE RATCHETS - GUY OUT
- (14) 36" DOUBLE HEADED STAKES



END VIEW



SIDE VIEW

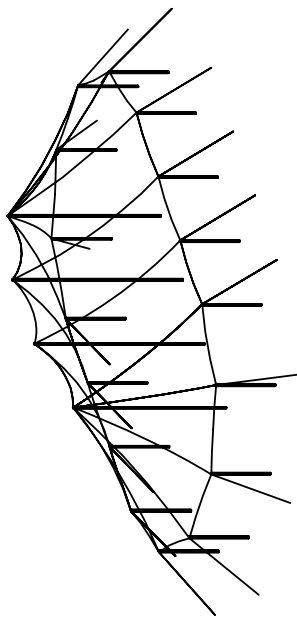


PLAN VIEW

ALL DATA AND INFORMATION CONTAINED IN OR DISCLOSED BY THIS DOCUMENT IS CONFIDENTIAL AND PROPRIETARY INFORMATION OF AZTEC TENTS AND ALL RIGHTS THEREIN ARE EXPRESSLY RESERVED. BY ACCEPTING THIS MATERIAL THE RECIPIENT AGREES THAT THIS MATERIAL AND INFORMATION CONTAINED THEREIN IS HELD IN CONFIDENCE AND IN TRUST, AND WILL NOT BE COPIED, REPRODUCED WHOLE OR IN PART, NOR ITS CONTENTS REVEALED IN ANY MANNER TO OTHERS, EXCEPT TO MEET THE SPECIFIC PURPOSE FOR WHICH IT WAS DELIVERED.

2665 COLUMBIA ST. TORRANCE, CA. 90503
 (800) 228-3687 - FAX (310) 381-0722
AZTEC
 ENGINEER CM
 DRAWN TTR
 DATE 0-16-2008
 CHECKED 925 021309 32x50 TIDEWATER SAIL TENT

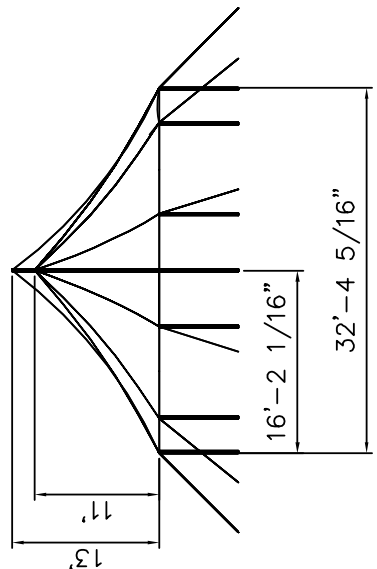
STANDARD		TIDEWATER SAIL CLOTH TENT / STANDARD	
REV	DRAWING NUMBER	SIZE	CODE
AZ32x50-TIDEWATER 2			



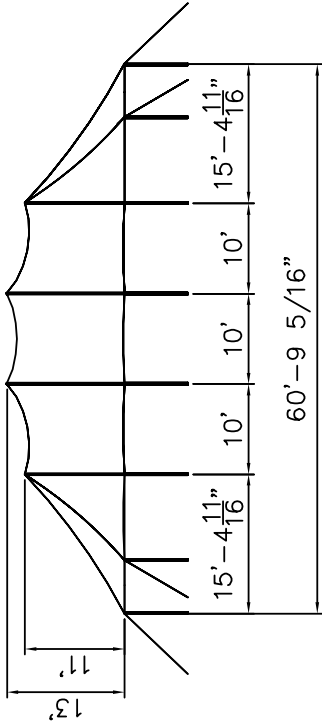
ISOMETRIC VIEW

TIDEWATER SAIL CLOTH TENT
32' x 60' 1pc.

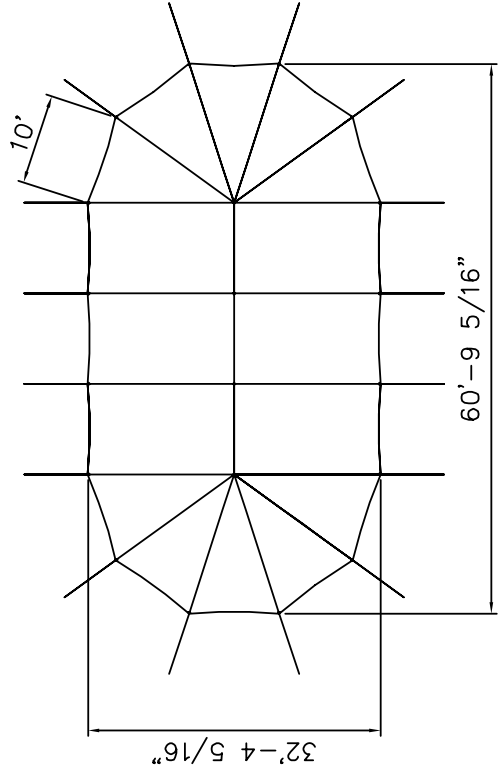
- (1) 32' x 60' 1PC. TOP (1740sqft.)
- (2) 4.0" O.D. ALUM. 3PC. CENTER POLE (18')
- (2) 4.0" O.D. ALUM. 3PC. CENTER POLE (20')
- (16) 2.5" O.D. ALUM. 1pc/ 3x3 WOOD SIDE POLE (7'L)
- (16) 1" INLINE RATCHETS - GUY OUT
- (16) 36" DOUBLE HEADED STAKES



END VIEW



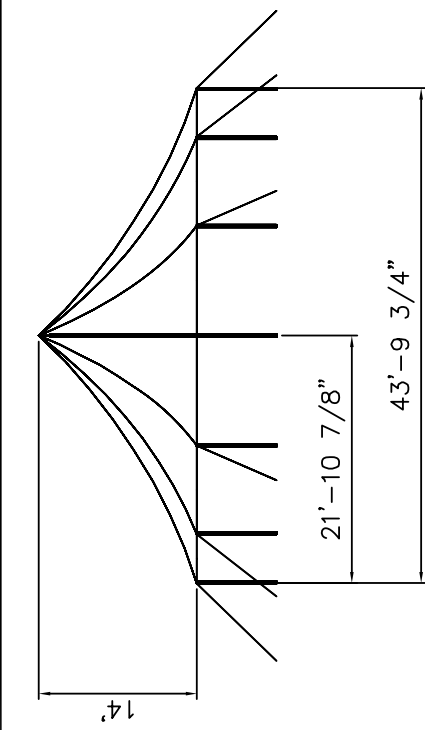
SIDE VIEW



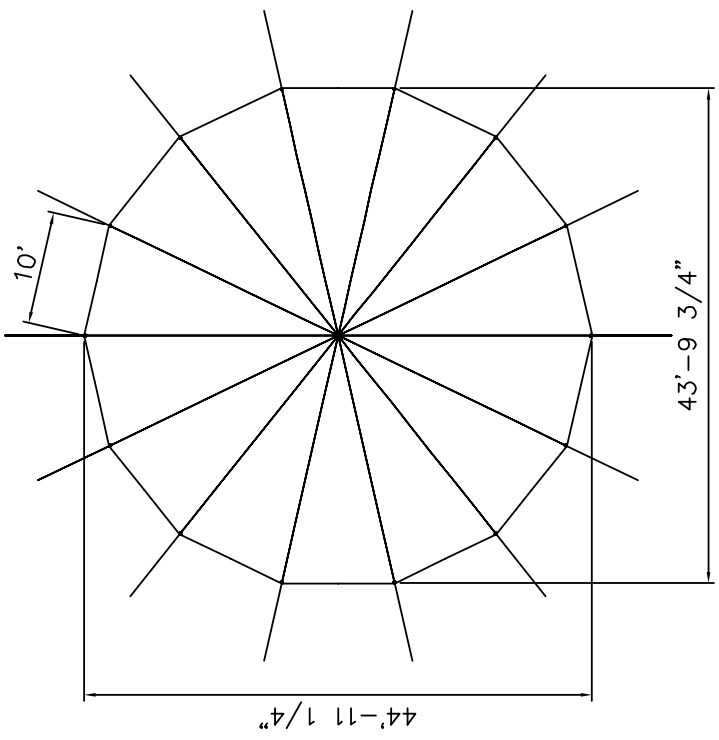
PLAN VIEW

<p>STANDARD</p>		<p>TIDEWATER SAIL CLOTH TENT / STANDARD 32' W x 60' L TIDEWATER SAIL CLOTH TENT</p>		<p>DATE: 10-16-2008</p>	<p>CHECKED: CM</p>	<p>ENGINEER: TTR</p>	<p>2665 COLUMBIA ST. TORRANCE, CA. 90503 (800) 228-3687 - FAX (310) 381-0722</p>	<p>ALL DATA AND INFORMATION CONTAINED IN OR DISCLOSED BY THIS DOCUMENT IS CONFIDENTIAL AND PROPRIETARY INFORMATION OF AZTEC TENTS AND ALL RIGHTS THEREIN ARE EXPRESSLY RESERVED. BY ACCEPTING THIS MATERIAL THE RECIPIENT AGREES THAT THIS MATERIAL AND INFORMATION CONTAINED HEREIN IS HELD IN CONFIDENCE AND IN TRUST AND WILL NOT BE COPIED, REPRODUCED WHOLE OR IN PART, NOR ITS CONTENTS REVEALED IN ANY MANNER TO OTHERS, EXCEPT TO MEET THE SPECIFIC PURPOSE FOR WHICH IT WAS DELIVERED.</p>
REV	DRAWING NUMBER	SIZE	CODE	PART DESCRIPTION	CHECKED	DATE	DATE	PROJECT
2	AZ-32x60-TIDEWATER			TIDEWATER SAIL TENT\32x\32x60 042409 1530				

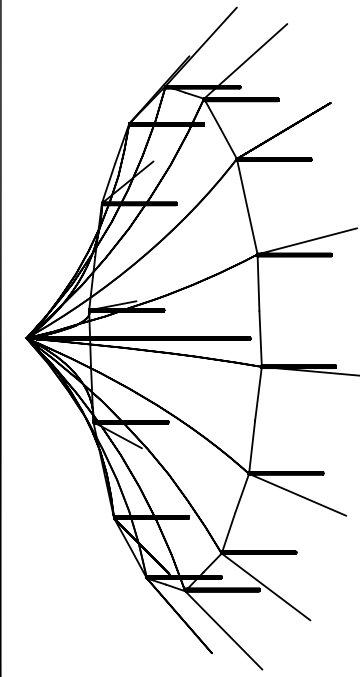
AZTEC 2685 COLUMBIA ST. TORRANCE, CA. 90503 (800) 228-3687 - FAX (310) 381-0722		ENGINEER CM	DRAWN TTR	DATE 10-20-2008	CHECKED -	TIDewater SAIL TENT\44x43-44x43 042409 1515
PART DESCRIPTION TIDewater SAIL CLOTH TENT / STANDARD		CODE	SIZE	DRAWING NUMBER	REV	
STANDARD			AZ44x43			3



SIDE VIEW



PLAN VIEW

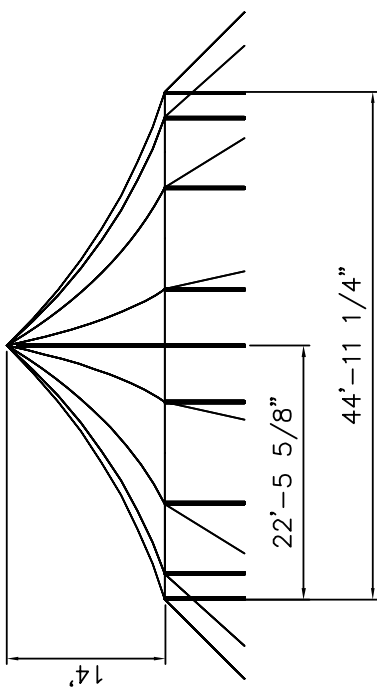


ISOMETRIC VIEW

TIDewater SAIL CLOTH TENT


44' x 43' 1pc.

- (1) 44' x 43' 1PC. TOP (1,519sqft.)
- (1) 4.0" O.D. ALUM. 3PC. CENTER POLE (21')
- (14) 2.5" O.D. ALUM. 1pc/ 3x3 WOOD SIDE POLE (7'L)
- (14) 1" INLINE RATCHETS - GUY OUT
- (14) 36" DOUBLE HEADED STAKES

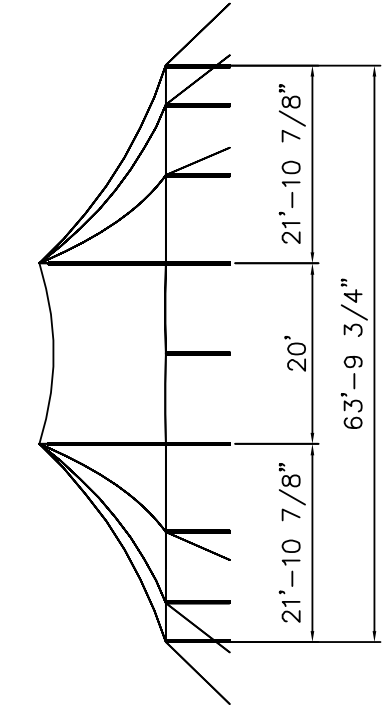


END VIEW

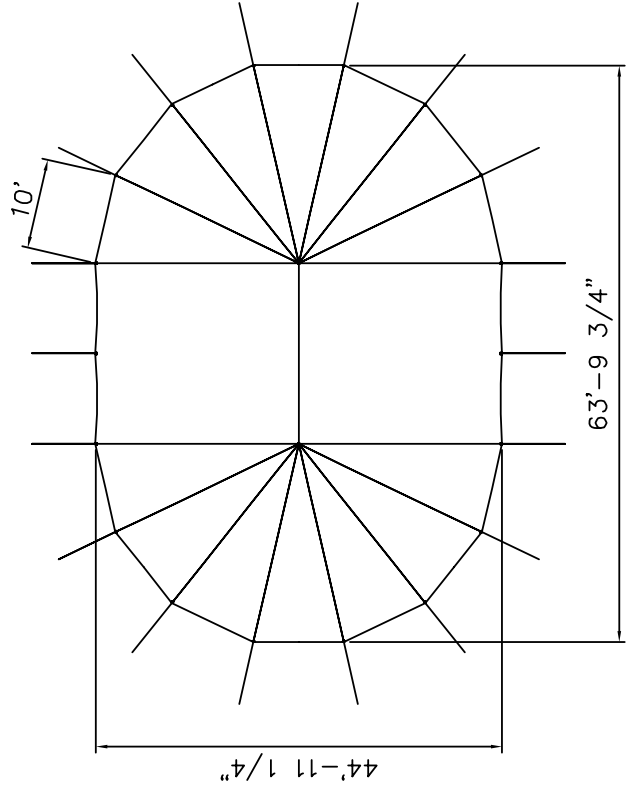
K:\cad files\Pole Tent\Tidewater Sail Tent\44x43-44x43.dwg, 4/24/2009 3:18:59 PM, pdfFactory.pc3

TIDEWATER SAIL TENT\44x\44x63 020209 1445		ENGINEER	CM	DRAWN	TTR	DATE	10-20-2008
ALL DATA AND INFORMATION CONTAINED IN OR DISCLOSED BY THIS DOCUMENT IS CONFIDENTIAL AND PROPRIETARY INFORMATION OF AZTEC TENTS AND ALL RIGHTS THEREIN ARE EXPRESSLY RESERVED. BY ACCEPTING THIS MATERIAL THE RECIPIENT AGREES THAT THIS MATERIAL AND INFORMATION CONTAINED THEREIN IS HELD IN CONFIDENCE AND IN TRUST AND WILL NOT BE COPIED, REPRODUCED WHOLE OR IN PART, NOR ITS CONTENTS REVEALED IN ANY MANNER TO OTHERS, EXCEPT TO MEET THE SPECIFIC PURPOSE FOR WHICH IT WAS DELIVERED.		 <p>2665 COLUMBIA ST. TORRANCE, CA 90503 (800) 228-3687 - FAX (310) 381-0722</p>					
REV	DRAWING NUMBER	SIZE	CODE	PART DESCRIPTION			
1	AZ-44x63-TIDEWATER			TIDEWATER SAIL CLOTH TENT / STANDARD			

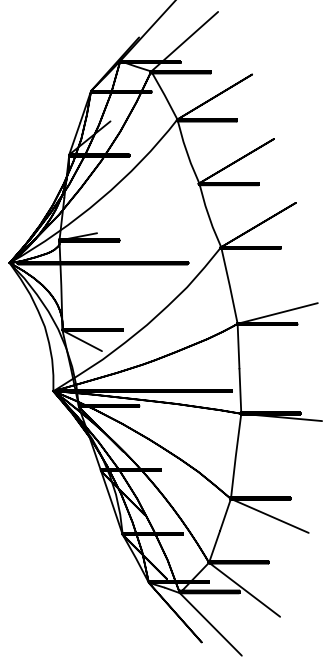
STANDARD



SIDE VIEW



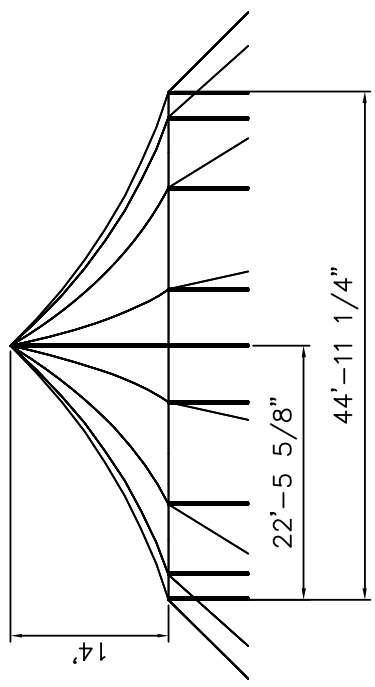
PLAN VIEW



ISOMETRIC VIEW

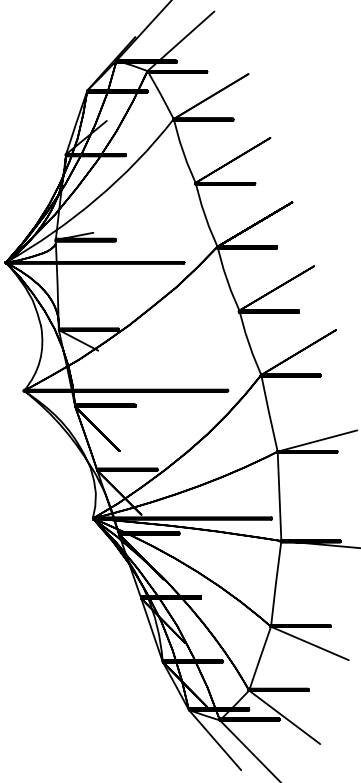
TIDEWATER SAIL CLOTH TENT
44' x 63' 1pc.

- (1) 44'x 63' 1PC. TOP (2,413sq.ft.)
- (2) 4.0" O.D. ALUM. 3PC. CENTER POLE (21')
- (18) 2.5" O.D. ALUM. 1pc/ 3x3 WOOD SIDE POLE (7'L)
- (18) 1" INLINE RATCHETS - GUY OUT
- (18) 36" DOUBLE HEADED STAKES



END VIEW

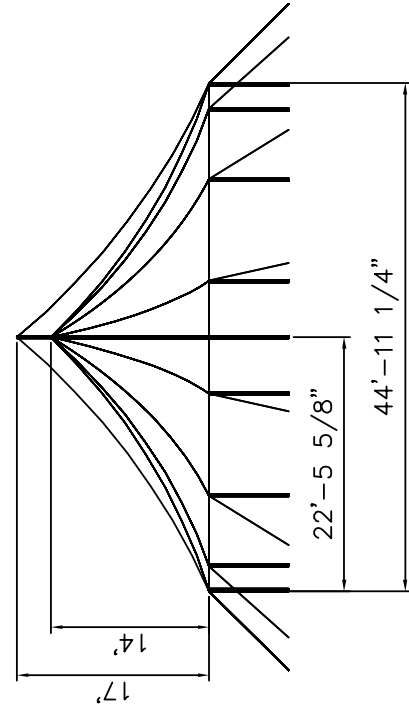
TIDEWATER SAIL TENT / STANDARD		PART DESCRIPTION		CODE	SIZE	DRAWING NUMBER	REV
TIDEWATER SAIL CLOTH TENT / STANDARD		44' W x 83' L TIDEWATER SAIL CLOTH TENT				AZ-44x83-TIDEWATER	2
AZ-44x83-TIDEWATER		DRAWN		CM	TTR	DATE	10-20-2008
ENGINEER		CHECKED				021209 1655	
2665 COLUMBIA ST. TORRANCE, CA. 90503 (800) 228-3687 - FAX (310) 381-0722		AZTEC				ALL DATA AND INFORMATION CONTAINED IN OR DISCLOSED BY THIS DOCUMENT IS CONFIDENTIAL AND PROPRIETARY INFORMATION OF AZTEC TENTS AND ALL RIGHTS THEREIN ARE EXPRESSLY RESERVED. BY ACCEPTING THIS MATERIAL THE RECIPIENT AGREES THAT THIS MATERIAL AND INFORMATION CONTAINED HEREIN IS HELD IN CONFIDENCE AND IN TRUST AND WILL NOT BE COPIED, REPRODUCED WHOLE OR IN PART, OR ITS CONTENTS REVEALED IN ANY MANNER TO OTHERS, EXCEPT TO MEET THE SPECIFIC PURPOSE FOR WHICH IT WAS DELIVERED.	



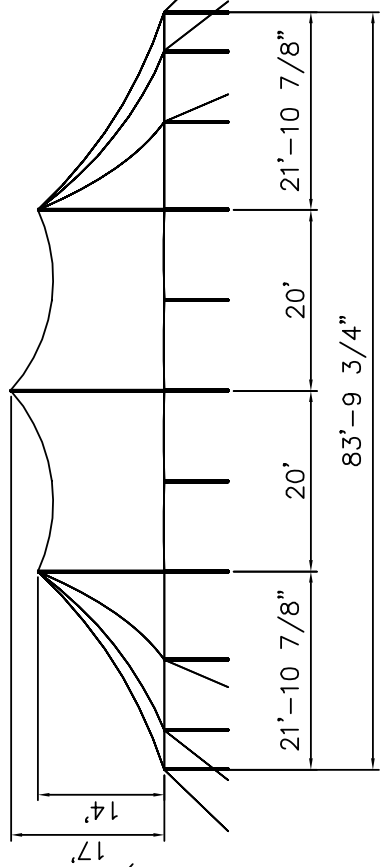
ISOMETRIC VIEW

TIDEWATER SAIL CLOTH TENT
44' x 83' 1pc.

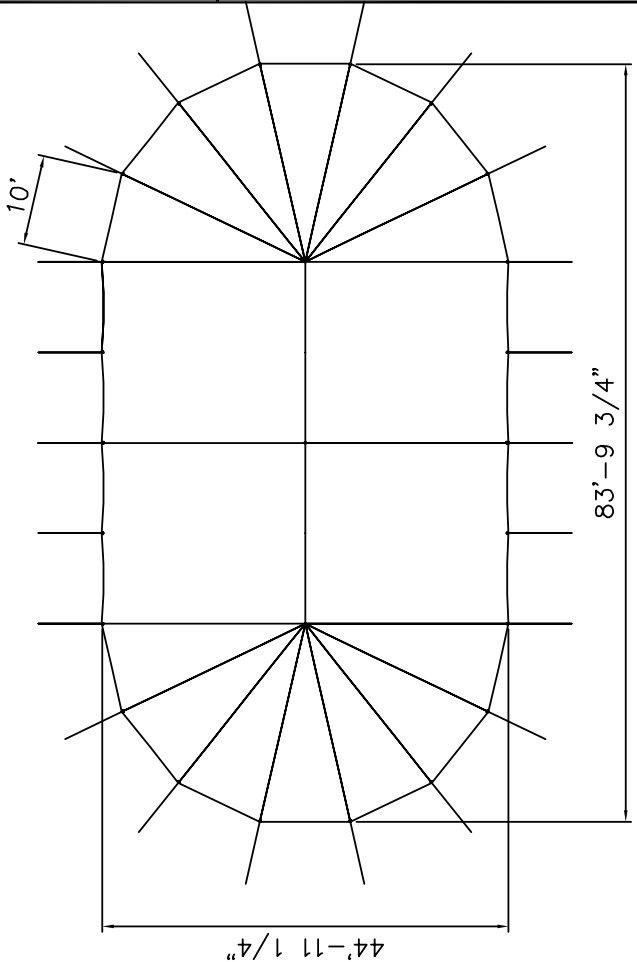
- (1) 44' x 83' 1PC. TOP (3,308sq.ft.)
- (2) 4.0" O.D. ALUM. 3PC. CENTER POLE (21')
- (1) 4.0" O.D. ALUM. 4PC. CENTER POLE (24')
- (22) 2.5" O.D. ALUM. 1pc/ 3x3 WOOD SIDE POLE (7'L)
- (22) 1" INLINE RATCHETS - GUY OUT
- (22) 36" DOUBLE HEADED STAKES



END VIEW

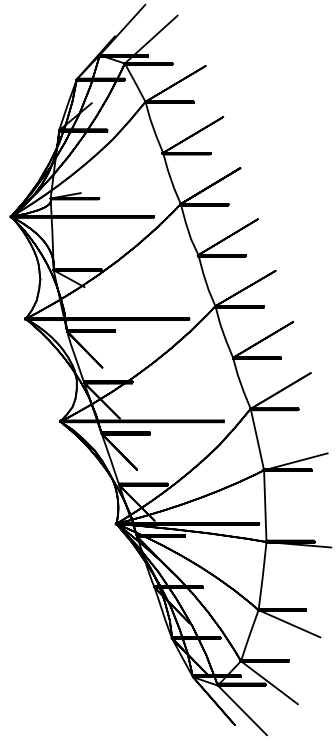


SIDE VIEW



PLAN VIEW

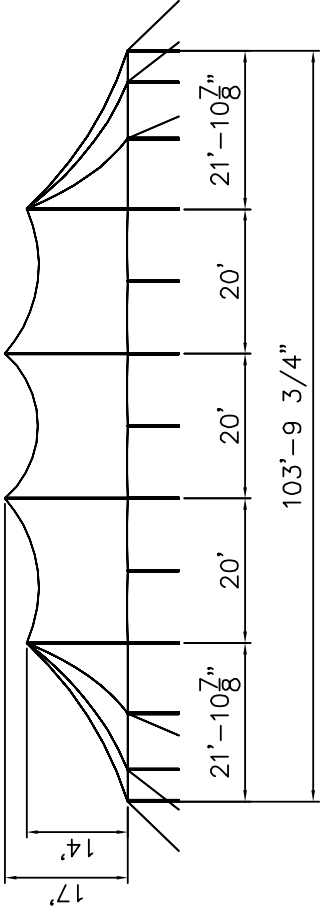
AZ-44x103-TIDEWATER 2		DATE	10-20-2008	ENGINEER	CM	CHECKED	-	PROJECT	TIDEWATER SAIL TENT\44x103 021209 1650
REV	DRAWING NUMBER	SIZE	CODE	PART DESCRIPTION	DRAWN	TTR	CM	2665 COLUMBIA ST. TORRANCE, CA. 90503 (800) 228-3687 - FAX (310) 381-0722	ALL DATA AND INFORMATION CONTAINED IN OR DISCLOSED BY THIS DOCUMENT IS CONFIDENTIAL AND PROPRIETARY INFORMATION OF AZTEC TENTS AND ALL RIGHTS THEREIN ARE EXPRESSLY RESERVED. BY ACCEPTING THIS MATERIAL THE RECIPIENT AGREES THAT THIS MATERIAL AND INFORMATION CONTAINED THEREIN IS HELD IN CONFIDENCE AND IN TRUST, AND WILL NOT BE COPIED, REPRODUCED WHOLE OR IN PART, NOR ITS CONTENTS REVEALED IN ANY MANNER TO OTHERS, EXCEPT TO MEET THE SPECIFIC PURPOSE FOR WHICH IT WAS DELIVERED.
AZTEC									
STANDARD									
TIDEWATER SAIL CLOTH TENT / STANDARD 44' W x 103' L TIDEWATER SAIL CLOTH TENT									



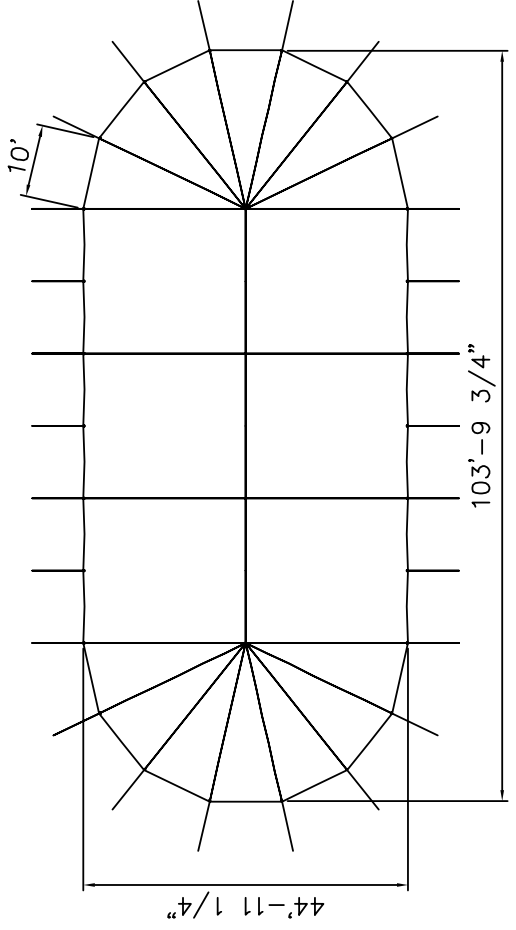
ISOMETRIC VIEW

TIDEWATER SAIL CLOTH TENT
44' x 103' 1pc.

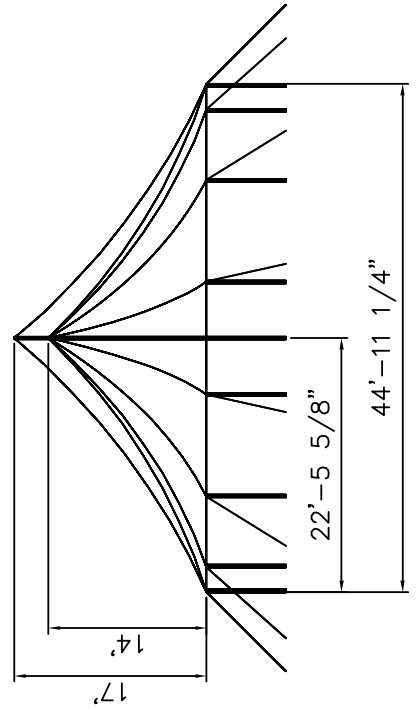
- (1) 44'x 103' 1PC. TOP (4,203sq.ft.)
- (2) 4.0" O.D. ALUM. 3PC. CENTER POLE (21')
- (2) 4.0" O.D. ALUM. 4PC. CENTER POLE (24')
- (26) 2.5" O.D. ALUM. 1pc/ 3x3 WOOD SIDE POLE (7'L)
- (26) 1" INLINE RATCHETS - GUY OUT
- (26) 36" DOUBLE HEADED STAKES



SIDE VIEW



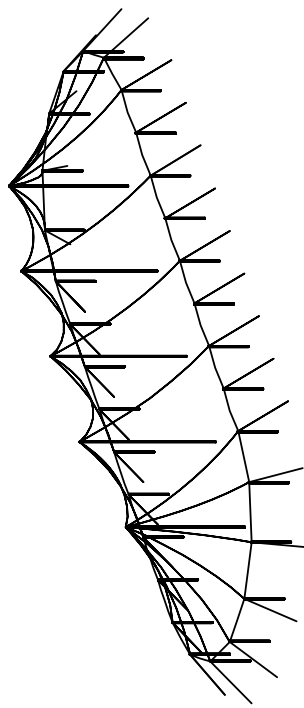
PLAN VIEW



END VIEW

TIDEWATER SAIL TENT / STANDARD		AZ-44x123-TIDEWATER	
DRAWING NUMBER		REV	
PART DESCRIPTION		DATE	
TIDEWATER SAIL CLOTH TENT / STANDARD		10-20-2008	
CODE		ENGINEER	
SIZE		CM	
DRAWING NUMBER		TTR	
REV		CHECKED	
2		-	
2665 COLUMBIA ST. TORRANCE, CA. 90503		(800) 228-3687 - FAX (310) 381-0722	
AZTEC		ALL DATA AND INFORMATION CONTAINED IN OR DISCLOSED BY THIS DOCUMENT IS CONFIDENTIAL AND PROPRIETARY INFORMATION OF AZTEC TENTS AND ALL RIGHTS THEREIN ARE EXPRESSLY RESERVED. BY ACCEPTING THIS MATERIAL THE RECIPIENT AGREES THAT THIS MATERIAL AND INFORMATION CONTAINED HEREIN IS HELD IN CONFIDENCE AND IN TRUST AND WILL NOT BE COPIED, REPRODUCED WHOLE OR IN PART, NOR ITS CONTENTS REVEALED IN ANY MANNER TO OTHERS, EXCEPT TO MEET THE SPECIFIC PURPOSE FOR WHICH IT WAS DELIVERED.	

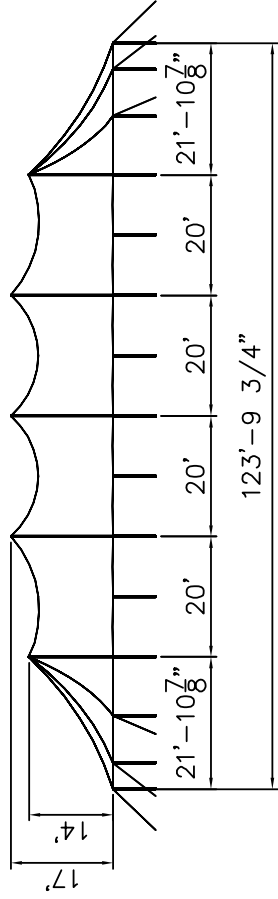
S T A N D A R D



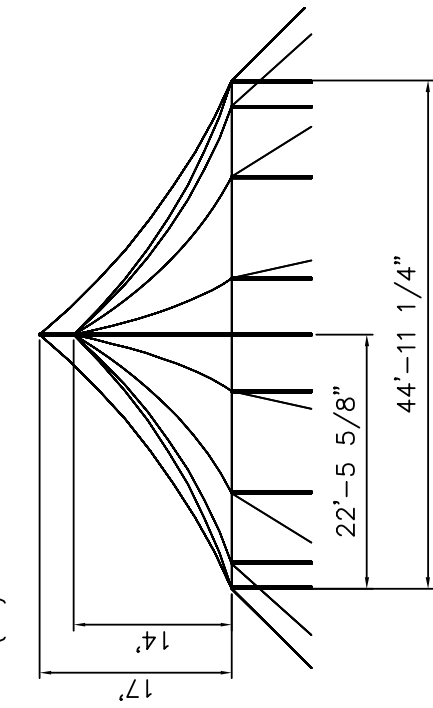
ISOMETRIC VIEW

TIDEWATER SAIL CLOTH TENT
44' x 123' 1pc.

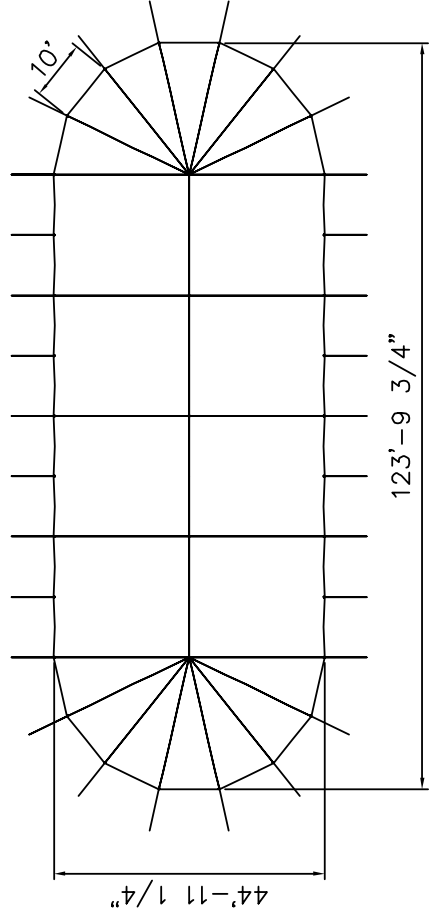
- (1) 44' x 123' 1PC. TOP (5,098sq.ft.)
- (2) 4.0" O.D. ALUM. 3PC. CENTER POLE (21')
- (3) 4.0" O.D. ALUM. 4PC. CENTER POLE (24')
- (30) 2.5" O.D. ALUM. 1pc/ 3x3 WOOD SIDE POLE (7'L)
- (30) 1" INLINE RATCHETS - GUY OUT
- (30) 36" DOUBLE HEADED STAKES



SIDE VIEW



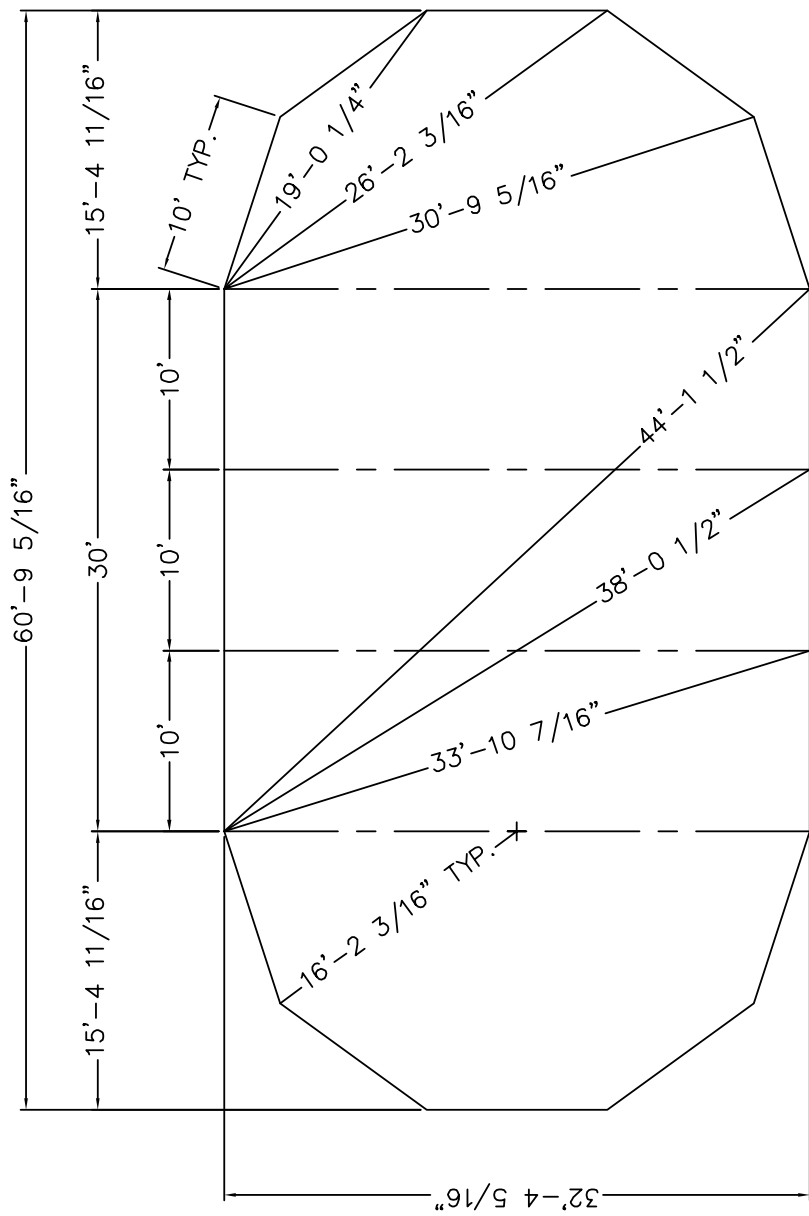
END VIEW




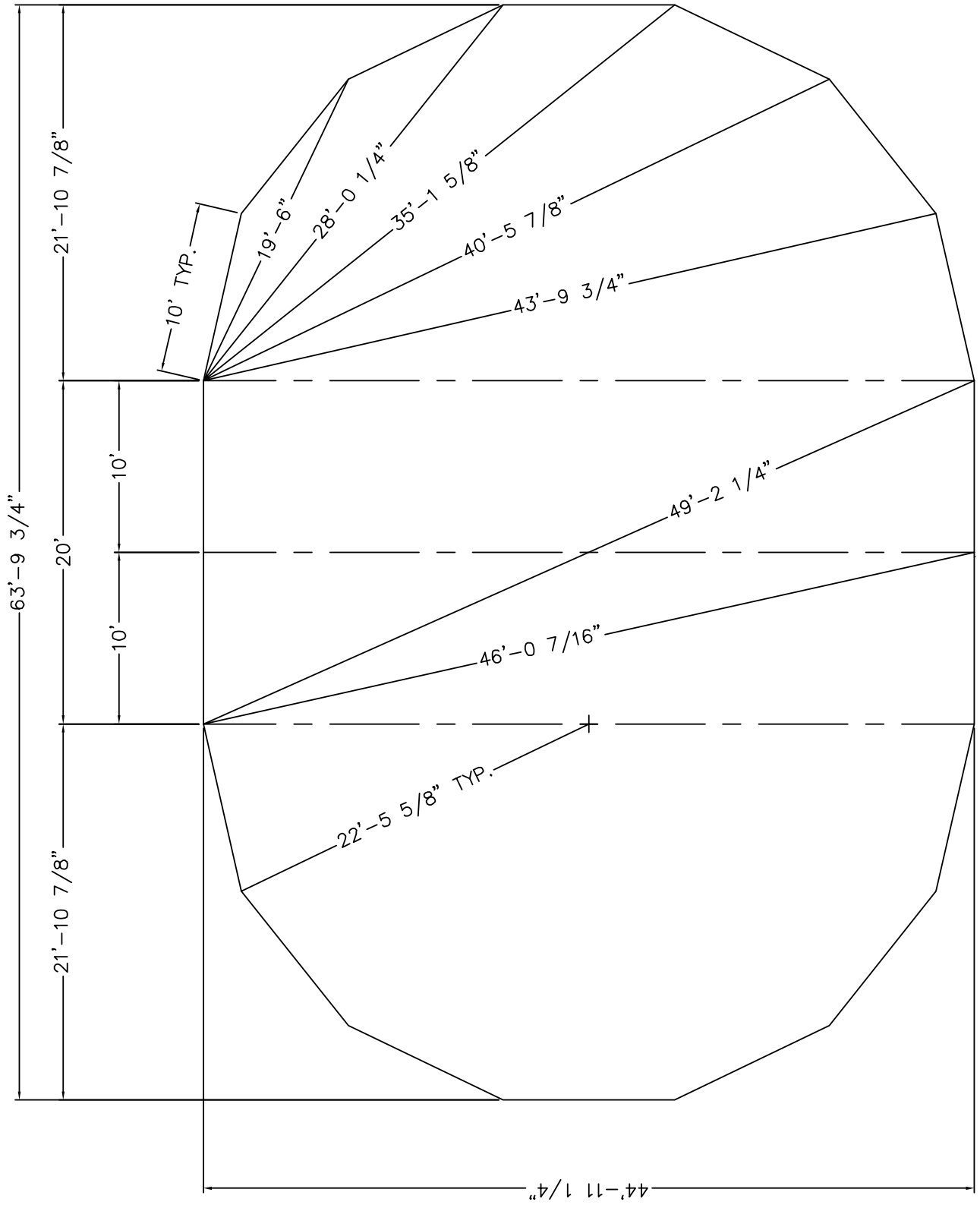
PLAN VIEW

TIDEWATER SAIL TENT\32x\32x SQUARING 052809 1105		CHECKED	-	DATE	02/05/09
ENGINEER		CM	DRAWN	KT	
2665 COLUMBIA ST. TORRANCE, CA. 90503 (800) 228-3687 - FAX (310) 381-0722		AZTEC			
PART DESCRIPTION		CODE	SIZE	DRAWING NUMBER	
TIDEWATER SAIL CLOTH TENT / STANDARD				AZ-32x SQUARING-TIDEWATER	
TIDEWATER SAIL CLOTH TENT		REV			
STANDARD		3			

ALL DATA AND INFORMATION CONTAINED IN OR DISCLOSED BY THIS DOCUMENT IS CONFIDENTIAL AND PROPRIETARY INFORMATION OF AZTEC TENTS AND ALL RIGHTS THEREIN ARE EXPRESSLY RESERVED. BY ACCEPTING THIS MATERIAL THE RECIPIENT AGREES THAT THIS MATERIAL AND INFORMATION CONTAINED HEREIN IS HELD IN CONFIDENCE AND IN TRUST AND WILL NOT BE COPIED, REPRODUCED WHOLE OR IN PART, NOR ITS CONTENTS REVEALED IN ANY MANNER TO OTHERS, EXCEPT TO MEET THE SPECIFIC PURPOSE FOR WHICH IT WAS DELIVERED.



AZ-44x SQUARING - TIDEWATER		DATE 02/05/09	CHECKED -	TIDEWATER SAIL TENT\44x\44x SQUARING 020609 1205
REV	DRAWING NUMBER	DRAWN	ENGINEER	
1		KT	CM	
PART DESCRIPTION		ENGINEER		ALL DATA AND INFORMATION CONTAINED IN OR DISCLOSED BY THIS DOCUMENT IS CONFIDENTIAL AND PROPRIETARY INFORMATION OF AZTEC TENTS AND ALL RIGHTS THEREBY ARE EXPRESSLY RESERVED. BY ACCEPTING THIS MATERIAL THE RECIPIENT AGREES THAT THIS MATERIAL AND INFORMATION CONTAINED THEREIN IS HELD IN CONFIDENCE AND IN TRUST AND WILL NOT BE COPIED, REPRODUCED WHOLE OR IN PART, NOR ITS CONTENTS REVEALED IN ANY MANNER TO OTHERS, EXCEPT TO MEET THE SPECIFIC PURPOSE FOR WHICH IT WAS DELIVERED.
SIZE	CODE	2665 COLUMBIA ST. TORRANCE, CA. 90503 (800) 228-3887 - FAX (310) 381-0722		
44' W x 63' L TIDEWATER SAIL CLOTH TENT				
TIDEWATER SAIL CLOTH TENT / STANDARD				
STANDARD				



K:\cad files\Pole Tent\Tidewater Sail Tent\44x\44x Squaring.dwg, 2/16/2009 12:22:52 PM, pdfFactory.pcs

Parts Listing

Item	Item No.	Weight lbs
20x17 Tidewater Sail Tent-Wht	Z33520X01701	29
20x27 Tidewater Sail Tent-Wht	Z33520X02701	45
20x37 Tidewater Sail Tent-Wht	Z33520X03701	62
32x30 Tidewater Sail Tent- Wht	Z33532X03001	80
32x40 Tidewater Sail Tent-Wht	Z33532X04001	107
32x50 Tidewater Sail Tent-Wht	Z33532X05001	134
32x60 Tidewater Sail Tent-Wht	Z33532X06001	160
44x43 Tidewater Sail Tent-Wht	Z33544X04301	158
44x63 Tidewater Sail Tent-Wht	Z33544X06301	231
44x83 Tidewater Sail Tent-Wht	Z33544X08301	305
44x103 Tidewater Sail Tent-Wht	Z33544X10301	378
44x123 Tidewater Sail Tent-Wht	Z33544X12301	452
Tidewater Flag White (18"x54")	Z335ZFLAG	2
Tidewater Flagpole 32x/44x	Z335ZFLAGPOLELG	3
Tidewater Flagpole 20x	Z335ZFLAGPOLESM	3
Tidewater Gutter System Kit	Z39900391	0
Tidewater Gutter Fabric Only- White	Z39900392	5
Tidewater Gutter Bracket Set Only	Z39900393	4
7x10 Tidewater Solid Wall-Wht	Z338071001	6
7x10 Tidewater Panorama Wall-W	Z338071002	7
7x10 Tidewater French Wall-Wht	Z338071003	7
7x10 Tidewater Clear Wall-Wht	Z338071004	9
2.5" 1pc Alum SP x 7'0"	Z3912.5BX07	7
3x3 Wood Sidepole x 7'	Z391WOOD3X37	26
2.5" 2pc S1000 CP x 15'0"	Z3932.5TX15	0
4.0" 2pc S1000/1500 CP x 18'0"	Z3934.000TX18	0
4.0" 3pc S1000 CP x 20'0"	Z3934.000TX20	0
4.0" 3pc S1000/1500 CP x 21'0"	Z3934.000TX21	0
4.0" 4pc S1500 CP x 24'0"	Z3934.000TX24	0
2.5" Alum CP Bottom x 7'0"	Z3972.5TXB07	6
2.5" Alum CP Top Section 8'0"	Z3972.5TXT08	7
4.0" Alum CP Bottom x 9'0"	Z3974.000BX09	21
4.0" Alum CP Top Section 8'0"	Z3974.000TX08	18
4.0" Alum CP Top Section 9'0"	Z3974.000TX09	20
4.0" Alum CP x 3' EXT	Z3974.000TX03	6
24" Steel Stake w/Welded Hook	Z51100020	3
1" x 42" Double Headed Stake	Z51100070	10
1" Inline Ratchet	Z39900280	3

If YOU can IMAGINE it... WE can BUILD it

www.aztectents.com

Aztec Tents

2665 Columbia Street
Torrance, CA 90503
Toll Free (800) 228-3687
Fax (310) 381-0722