

INSTALL INSTRUCTIONS



If YOU can IMAGINE it... WE can BUILD it

SERIES 1500

WARNING!

The safe installation and use of commercial tenting products can vary from site to site and during varying climactic conditions. Careful consideration should be paid to any installation during windy conditions and shall be monitored throughout the duration of the installation. Periodic maintenance and monitoring of the installation by the installer is required. Techniques other than those specified in this document may be required during these types of conditions.

Users and installers shall indemnify and hold harmless Aztec Tent for any claim resulting from the improper installation and/or maintenance of this unit.

Soil conditions also vary from site to site. The included anchoring package for this tent may need to be supplemented with alternate anchoring during windy conditions and in areas with questionable soil holding power. Full product engineering may be available.

NOTICE

This tent product is not intended to be used as a shelter from severe weather. Aztec assumes no liability for such use. An evacuation plan for the area covered within this tented space is imperative and shall be thoroughly posted for all users and potential occupants of the tent. Severe weather including electrical storm systems, moderate to severe wind, heavy rains, snow, or any condition that raises any doubt to the structural integrity of the tent are immediate signs that an evacuation is necessary. Severe bodily injury and/or death can occur.

The installation of electrical, plumbing, lighting, appliances and/or HVAC equipment are not covered within this manual. Users/Installers shall follow local code requirements for the installation of these items using certified personnel. Aztec Tents shall be indemnified and held harmless from any such use or injury resulting from its use.

IMPORTANT SAFETY INFORMATION

Proper personnel safety equipment should be worn at all times during the installation of any tenting products.

Hard Hat

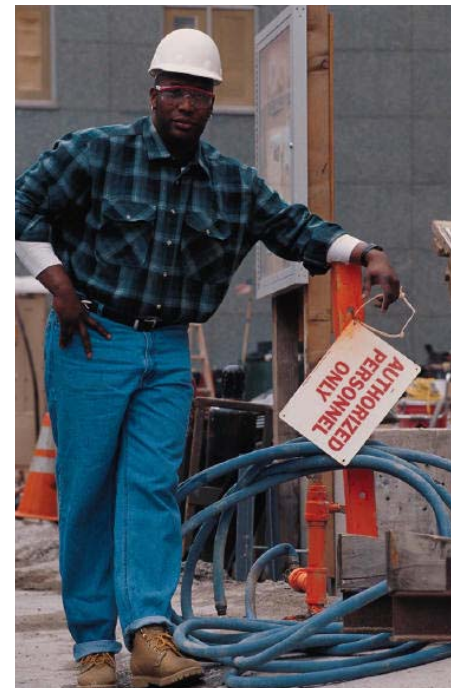
Safety Glasses

Work Gloves

Long Pants

Steel Toe Boots

OSHA Approved Harness and restraint system (for off ground activities)



Thank you for your recent purchase from Aztec Tents. The following procedures will help you through your installation. If you ever run into problems with the installation of your Aztec Tent give one of our sales/service professionals a call. A complete listing of sales, service, and operational support is always available on our website at www.aztectents.com.

Contents

| | |
|----------------------|-------|
| Install Instructions | 4-7 |
| 20'x Diagrams | 8-10 |
| 30'x Diagrams | 11-14 |
| 40'x Diagrams | 15-17 |
| Replacement Parts | 18 |

Questions? Call us.

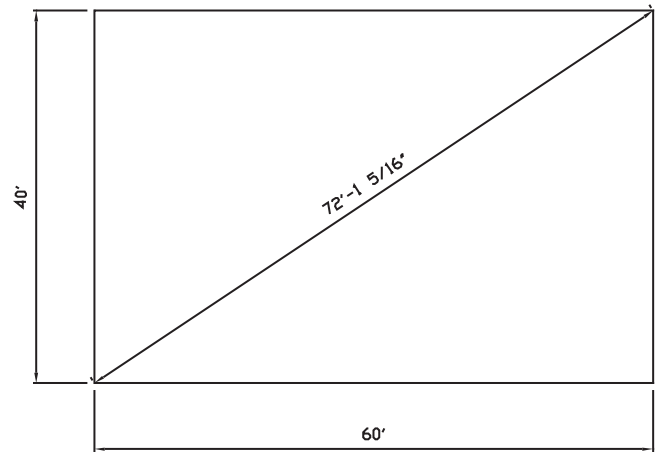
Aztec Tents

2665 Columbia Street
Torrance, CA 90503 USA
Direct (310) 347-3010
Toll Free (800) 228-3687
Fax (310) 381-0722

Installation-

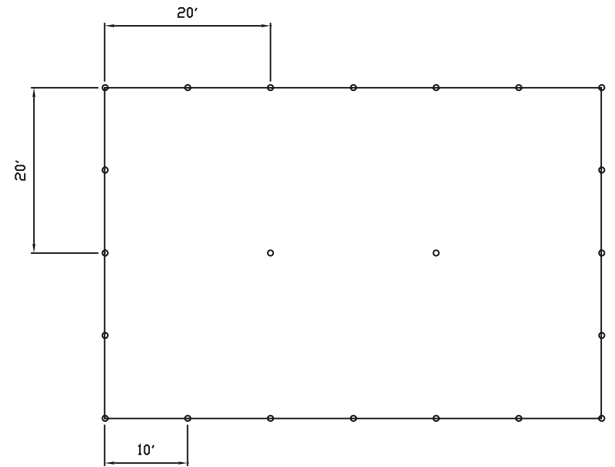
Step 1:

Square the tent area. Use the below squaring diagram to determine the diagonal or "C" Dimension your tent installation. To calculate your own squaring dimension for your width/length combination use the formula $A^2+B^2=C^2$.



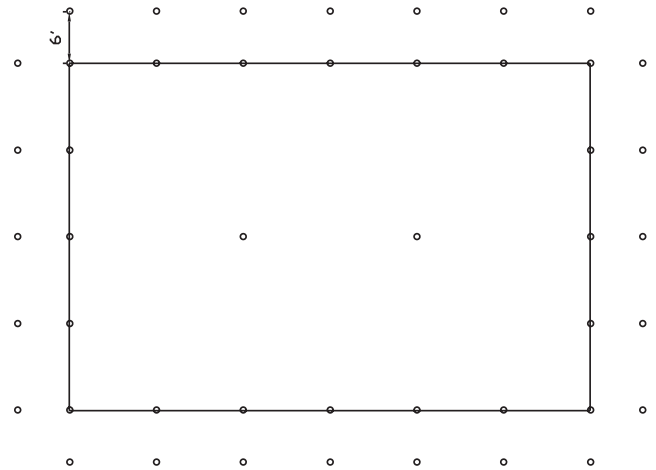
Step 2:

Mark on the ground with chalk or spray paint the location of the leg and center poles. These locations are identified on the drawing to the right. All legs are spaced 10' on center around the perimeter of the tent. (Legs on the 30' wide units and all legs for 15' middle sections are spaced at 7.5')



Step 3:

Mark on the ground the location of each stake location. Stakes should be placed at a distance of the length of the leg less 2 feet. (ie. if you use an 8' leg the stake should be placed 6' from the bottom of the leg pole.)



Step 4:

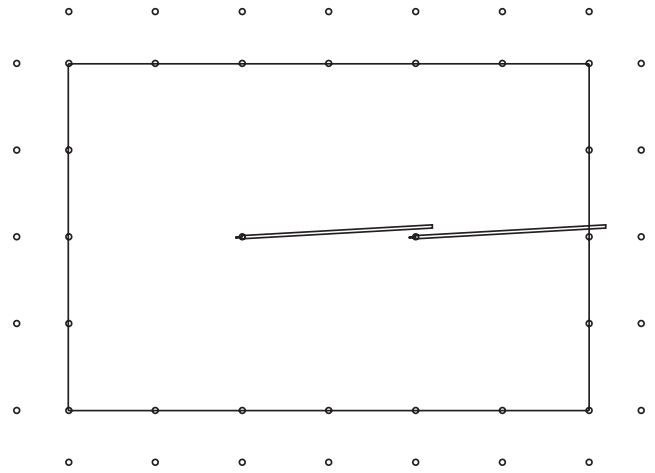
Drive the anchoring stakes. Drive the 1" double headed stake with a sledge hammer into the ground until 6" is left above ground. Tie the tie-down rope to the stake with a clove hitch knot or attach the tie-down ratchet to the stake as close to the ground as possible.

Leave plenty of slack in the tie-down ropes at this time. Adjustments will be made with the tensioning of the tent, so you will want to try to keep from tying off the knot at this time.



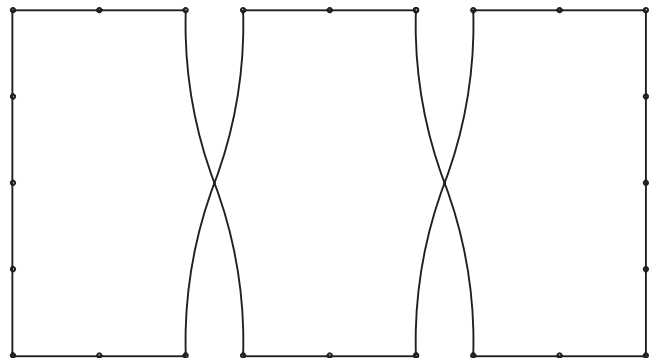
Step 5:

Layout a ground cloth over the ground in the tent area. This will protect the tent top fabric. Layout the centerpoles on top of the ground cloth. The top of each centerpole shall be placed at the marked point "A"



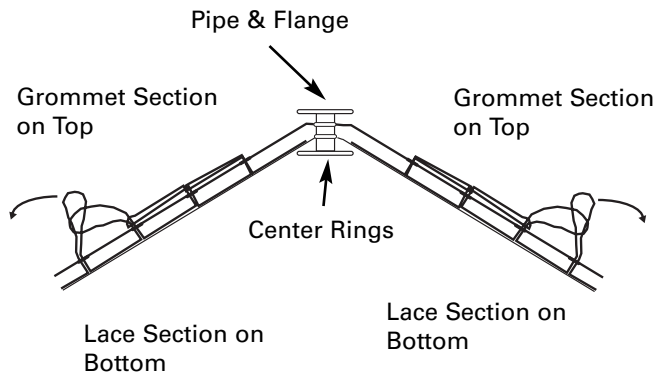
Step 6:

Begin laying out the tent fabric. Some tents are constructed with a one piece top while expandable versions utilize sections that are modular allowing the tent to become longer by adding more modular "middle" sections. This illustration shows a 40x60 3pc Expandable Top.



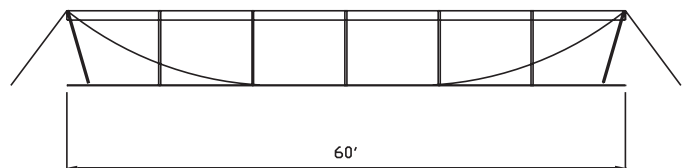
Step 7:

Place the peak ring/plate located at the top of each tent fabric piece over the top of the centerpole. The ring for the end and the ring for the middle will be placed through the pipe & flange and then slid over the centerpole pin. Begin lacing the tent sections together from the center rings toward the sides. See to illustration to the right for proper lacing technique. As each Series 1500 section has a lace side and a grommet side you might need to spin sections around to line up to the connecting section. As you lace the sections together, close the weather flap on the exterior of the tent as you go.



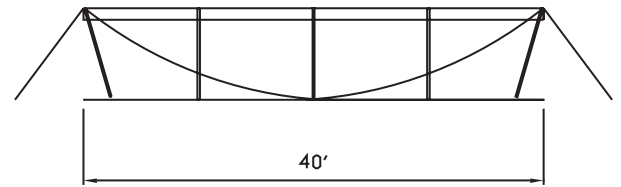
Step 8:

Begin installing the legs of the tent. First insert the top fitting of the corner leg pole through the ring on the corner of the tent. Attach the rope tie-down/ratchet to the leader ring on the corner leg and connect to the anchoring stake to make the leg almost vertical. Continue down the length of the tent installing legs and attaching the tie-down ropes/ratchets to the anchoring stakes. Continue with the other long side of the tent, starting at the corner and working down the tent.



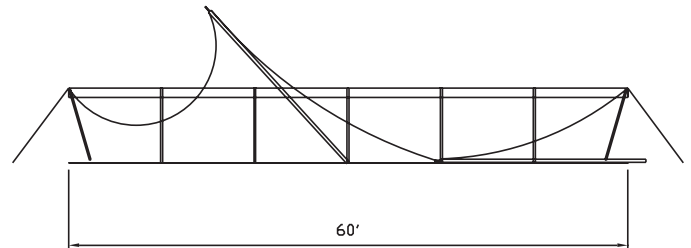
Step 9:

Install the legs on the end of the tent as shown in illustration and apply slight tension to the tie-down ropes/ratchets.



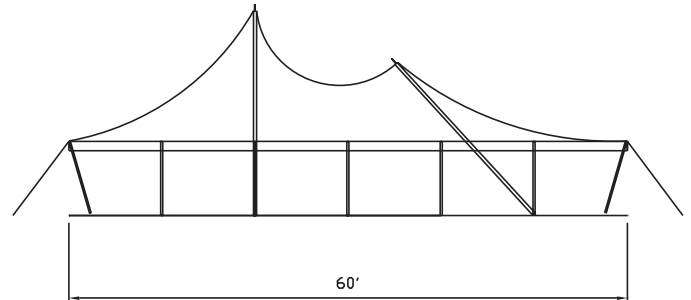
Step 10:

Begin raising the centerpoles of the tent. Manual laborers can push the centerpole from its laying position. Make sure that as the centerpole raises, you watch that the base of the centerpole ends up at the mark placed in step 2. This is crucial to proper fit and safety of the installed unit. As you raise the first centerpole the next centerpole will lift slightly off the ground from tension of the tent fabric. Be sure as the centerpoles begin to raise the tops do not snag the tent top fabric.



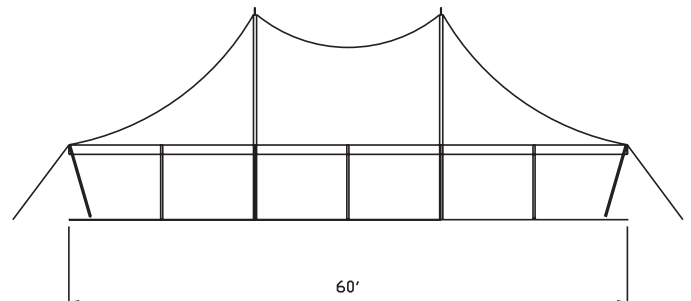
Step 11:

Raise remaining centerpole at this time, making sure the base of each centerpole rests on the mark you painted/chalked on the ground in step 2.



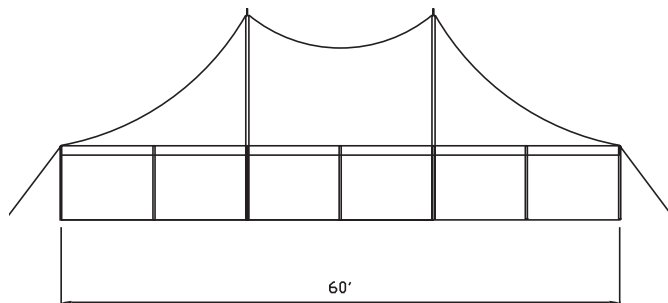
Step 12:

Once all centerpoles are installed and in proper location you can move on to step 13.



Step 13:

You can now straighten the side legs of the tent. Start at one corner and assure that the corner leg is placed on the mark of the corner measured in step 1. Loosen the rope/ratchet on this first leg and reapply tension until the corner leg pole is plumb. Continue with the other three corner legs, then straighten the legs along the length of the tent and apply tension until the leg is plumb. Finally straighten and tension the legs on the end of the tent.




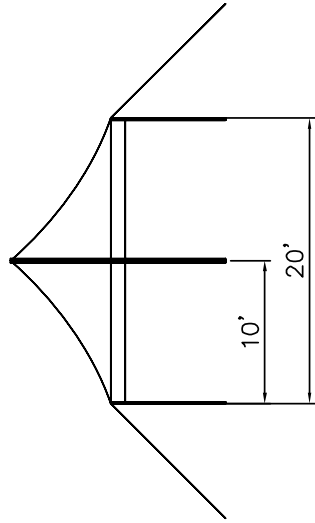
Step 14:

Now your tent is ready for installation of sidewalls (if required). The final product will look like the photo shown below and to the right.



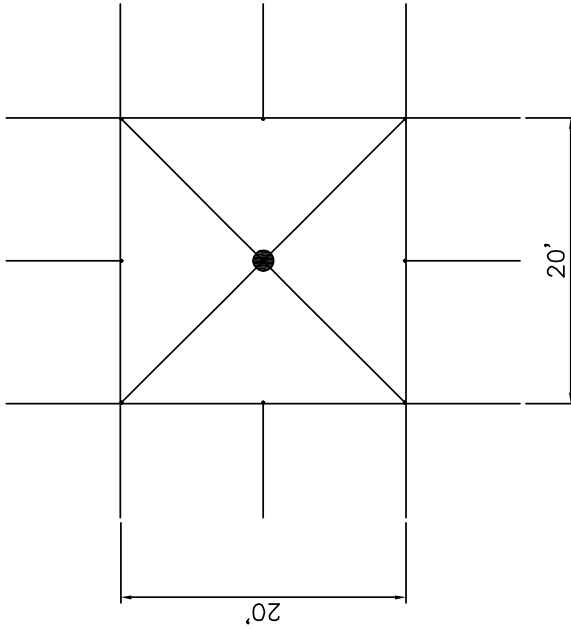
20x20 Series 1500

| | | | | | |
|--|--|--|------------------|------|---------------|
| SERIES 1500\20x\20x20 1PC. | | 100909 1045 | CHECKED | - | DATE 10/09/09 |
| BY THIS DOCUMENT IS CONFIDENTIAL AND PROPRIETARY INFORMATION OF AZTEC TENTS AND ALL RIGHTS THEREIN ARE EXPRESSLY RESERVED. BY ACCEPTING THIS MATERIAL THE RECIPIENT AGREES THAT THIS MATERIAL AND INFORMATION CONTAINED HEREIN IS HELD IN CONFIDENCE AND IN TRUST AND WILL NOT BE COPIED, REPRODUCED WHOLE OR IN PART, EXCEPT TO MEET THE SPECIFIC PURPOSE FOR WHICH IT WAS DELIVERED. | |  | | | |
| SERIES 1500 POLE TENT / STANDARD 20'W x 20'L x 10' LEG SPACING | | 1500 | PART DESCRIPTION | CODE | SIZE |
| DRAWING NUMBER | | REV | | | |
| 0 | | AZ-2020-S1500 | | | |

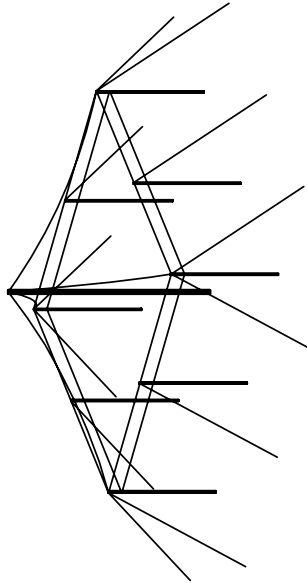


SIDE ELEVATION

● = CENTER POLES NOT TO SCALE



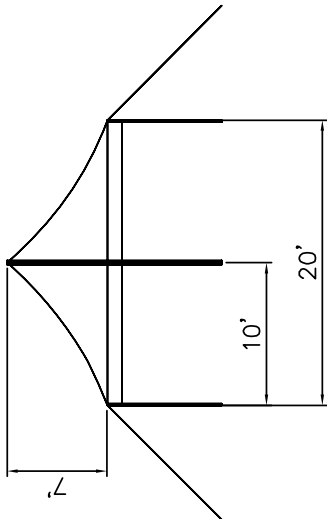
PLAN ELEVATION



ISOMETRIC ELEVATION

SERIES 1500 TENT 20' x 20' 1PC.

- (1) 20'x20' 1PC. TOP
- (1) 2.5" O.D. ALUM. 2PC. CENTER POLE (7'L 14' / 8'L 15')
- (8) 1.75" O.D. ALUM. 2PC SIDE POLE (7'L 2.5" O.D. ALUM. 1PC SIDE POLE (8'L
- (12) 1" IN-LINE RATCHET - GUY OUT
- (13) 36" DOUBLE HEADED STAKES



FRONT ELEVATION

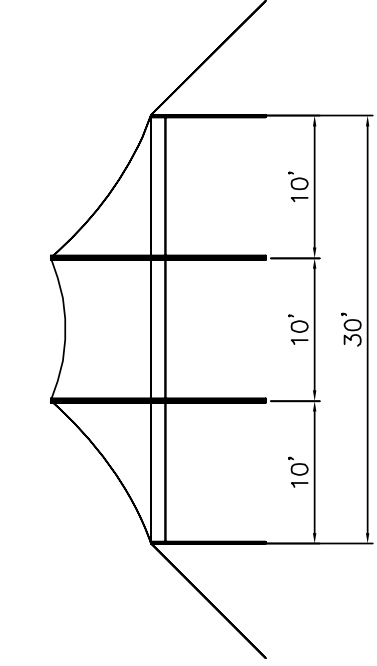
K:\cad files\Pole Tent\Series 1500\20x\20x20 1pc.dwg, 10/9/2009 10:45:12 AM, pdfFactory.pcs

20x30 Series 1500

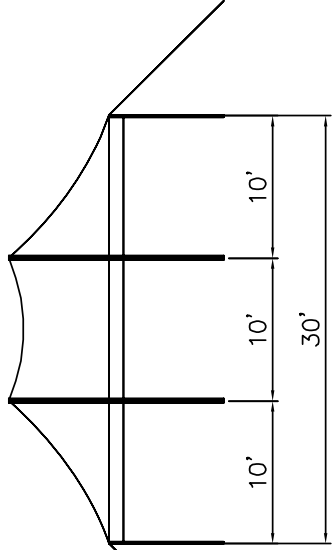
| | | | | | | |
|--|--|-------------|----------|----------------|-------|----------|
| SERIES 1500\20x30 1PC. | | 100909 1055 | CHECKED | - | DATE | 10/09/09 |
| SERIES 1500 POLE TENT / STANDARD 20'W x 30'L x 10' LEG SPACING | | 1500 | ENGINEER | CM | DRAWN | KT |
| PART DESCRIPTION | | CODE | SIZE | DRAWING NUMBER | | |
| SERIES 1500 | | | | AZ2030-S1500 0 | | |

ALL DATA AND INFORMATION CONTAINED IN OR DISCLOSED BY THIS DOCUMENT IS CONFIDENTIAL AND PROPRIETARY INFORMATION OF AZTEC TENTS AND ALL RIGHTS THEREIN ARE EXPRESSLY RESERVED. BY ACCEPTING THIS MATERIAL THE RECIPIENT AGREES THAT THIS MATERIAL AND INFORMATION CONTAINED HEREIN IS HELD IN CONFIDENCE AND IN TRUST, AND WILL NOT BE COPIED, REPRODUCED WHOLE OR IN PART, NOR ITS CONTENTS REVEALED IN ANY MANNER TO OTHERS, EXCEPT TO MEET THE SPECIFIC PURPOSE FOR WHICH IT WAS DELIVERED.

AZTEC
 2665 COLUMBIA ST. TORRANCE, CA. 90503
 (800) 228-5687 - FAX (310) 581-0722



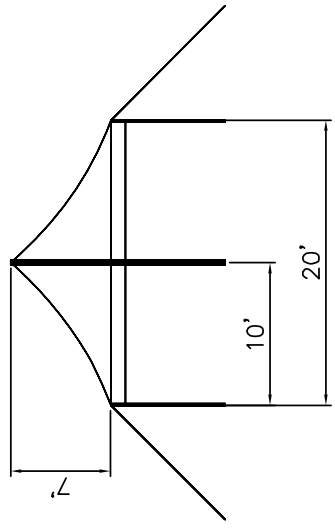
ISOMETRIC ELEVATION



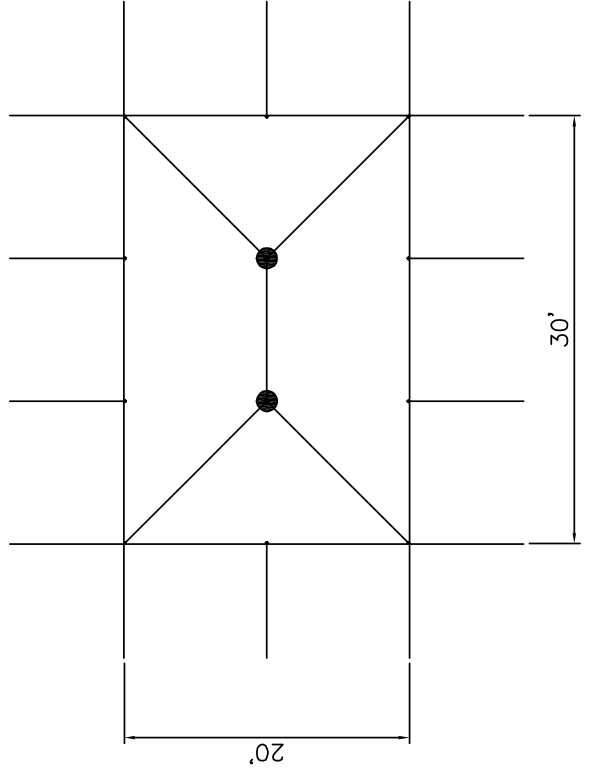
SIDE ELEVATION

SERIES 1500 TENT
20' x 30' 1PC.

- (1) 20'x30' 1PC. TOP
- (2) 2.5" O.D. ALUM. 2PC. CENTER POLE (7'L 14' / 8'L 15')
- (10) 1.75" O.D. ALUM. 2PC SIDE POLE (7'L 2.5" O.D. ALUM. 1PC SIDE POLE (8'L
- (14) 1" IN-LINE RATCHET - GUY OUT
- (16) 36" DOUBLE HEADED STAKES



FRONT ELEVATION

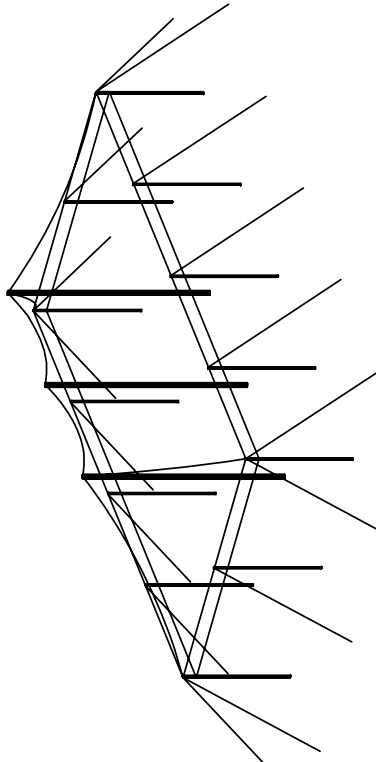


● = CENTER POLES NOT TO SCALE

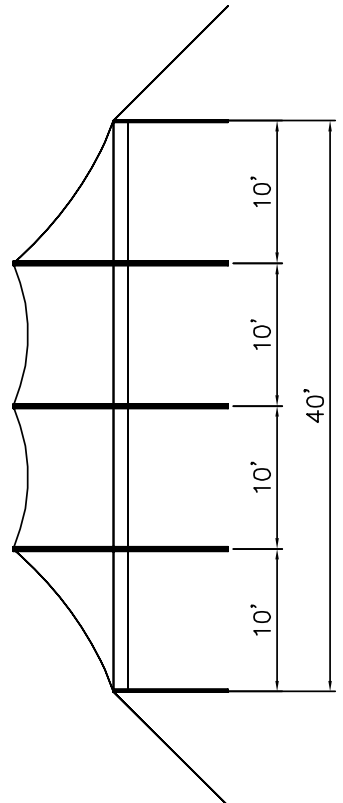
PLAN ELEVATION

20x40 Series 1500

| | | | | | | |
|--|--|---------------------------------------|---------|-------------------------------------|-------|----------------|
| SERIES 1500\20x\20x40 1PC. | | 100909 1125 | CHECKED | - | DATE | 10/09/09 |
| ALL DATA AND INFORMATION CONTAINED IN OR DISCLOSED BY THIS DOCUMENT IS CONFIDENTIAL AND PROPRIETARY INFORMATION OF AZTEC TENTS AND ALL RIGHTS THEREIN ARE EXPRESSLY RESERVED. BY ACCEPTING THIS MATERIAL THE RECIPIENT AGREES THAT THIS MATERIAL AND INFORMATION CONTAINED HEREIN IS HELD IN CONFIDENCE AND IN TRUST AND WILL NOT BE COPIED, REPRODUCED WHOLE OR IN PART, NOR ITS CONTENTS REVEALED IN ANY MANNER TO OTHERS, EXCEPT TO MEET THE SPECIFIC PURPOSE FOR WHICH IT WAS DELIVERED. | | ENGINEER | | CM | DRAWN | KT |
| AZTEC | | 2665 COLUMBIA ST. TORRANCE, CA. 90503 | | (800) 228-3687 - FAX (310) 381-0722 | | |
| SERIES 1500 POLE TENT / STANDARD | | PART DESCRIPTION | | CODE | SIZE | DRAWING NUMBER |
| REV | | AZ-2040-S1500 | | 0 | | |



ISOMETRIC ELEVATION

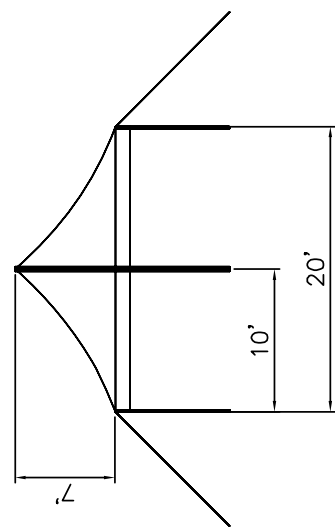


SIDE ELEVATION

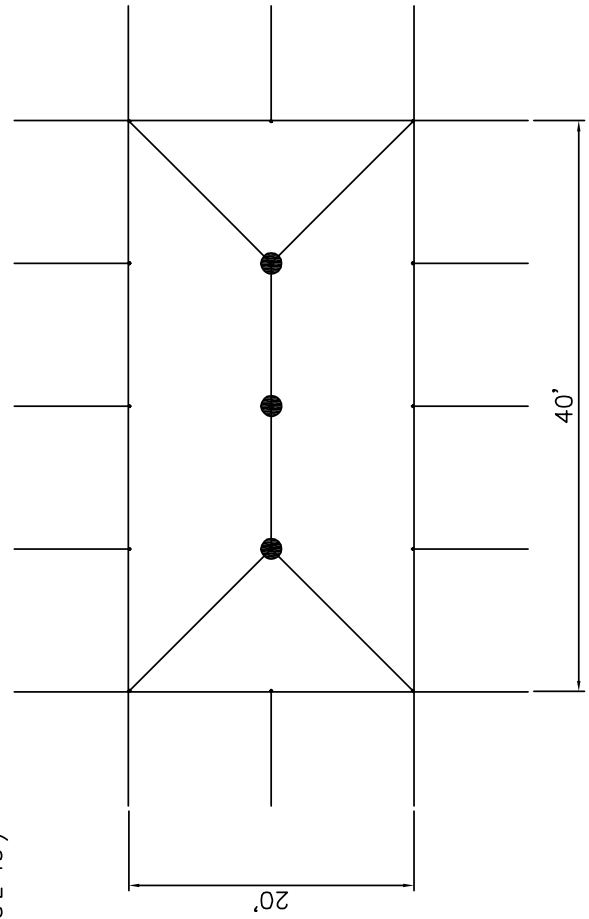
SERIES 1500 TENT 20' x 40' 1PC.

- (1) 20'x40' 1PC. TOP
- (3) 2.5" O.D. ALUM. 2PC. CENTER POLE (7'L 14' / 8'L 15')
- (12) 1.75" O.D. ALUM. 2PC SIDE POLE (7'L)
- 2.5" O.D. ALUM. 1PC SIDE POLE (8'L)
- (16) 1" IN-LINE RATCHET - GUY OUT
- (19) 36" DOUBLE HEADED STAKES

● = CENTER POLES NOT TO SCALE



FRONT ELEVATION

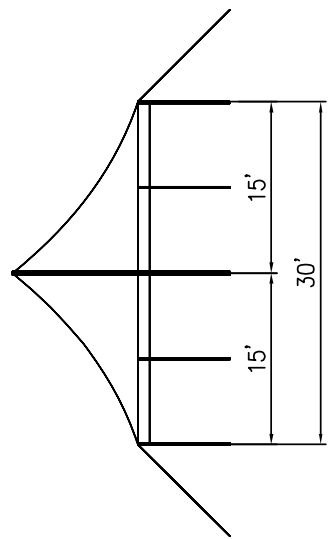


PLAN ELEVATION

K:\cad files\Pole Tent\Series 1500\20x\20x40 1pc.dwg, 10/9/2009 11:25:55 AM, pdfFactory.pc3

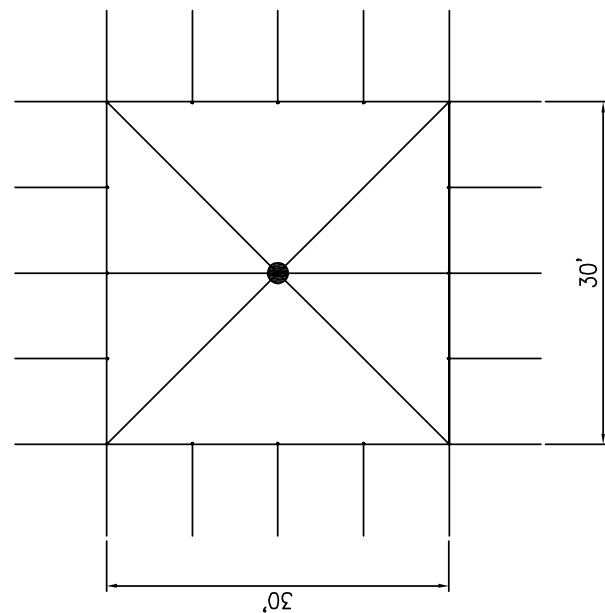
30x30 Series 1500

| | | | | | | |
|---|--|------------------|---------|----------------|------|----------------|
| SERIES 1500\30x\30x30 | | 100509 1205 | CHECKED | - | DATE | 10/28/08 |
| SERIES 1500 POLE TENT / STANDARD 30'W x 30'L x 7'-6" LEG SPACING | | ENGINEER | CM | DRWING | TTR | 1500 |
| AZTEC 2665 COLUMBIA ST. TORRANCE, CA. 90503 (800) 228-3687 - FAX (310) 381-0722 | | PART DESCRIPTION | | CODE | SIZE | DRAWING NUMBER |
| SERIES 1500 | | REV | | AZ3030-S1500 1 | | |

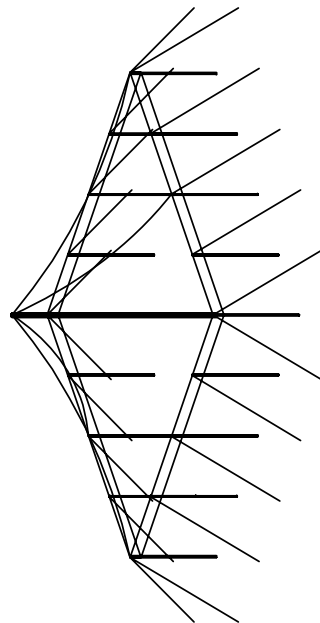


SIDE ELEVATION

● = CENTER POLES NOT TO SCALE



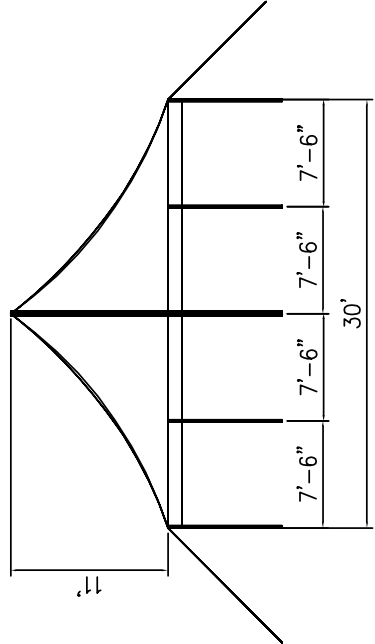
PLAN ELEVATION



ISOMETRIC ELEVATION

SERIES 1500 TENT 30' x 30'

- (1) 30'x30' 2PC. ENDS
- (1) 4" O.D. ALUM. 2PC. CENTER POLE (7'L 18' / 8'L 19')
- (16) 2.5" O.D. ALUM. 1PC SIDE POLE (7'L / 8'L)
- (20) 2" IN-LINE RATCHET - GUY OUT
- (21) 36" DOUBLE HEADED STAKES

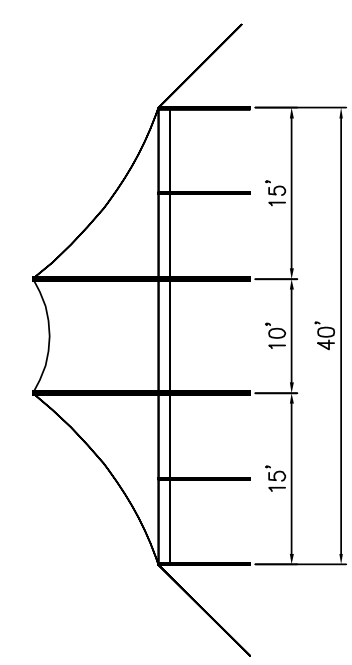


FRONT ELEVATION

K:\cad files\Pole Tent\Series 1500\30x\30x30.dwg, 10/6/2009 12:04:23 PM, pdfFactory.pc3

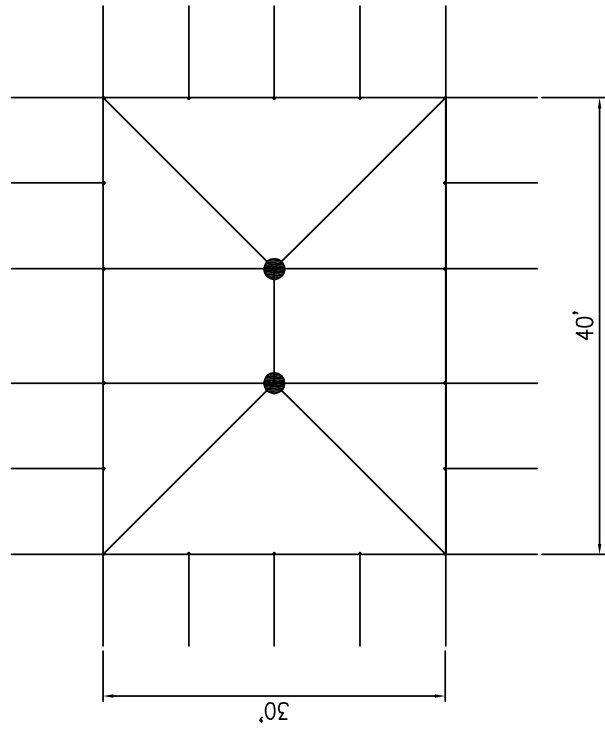
30x40 Series 1500

| | | | | | | | |
|---------------------------------------|--|------------------|---------------|---------|---|----------------|----------|
| SERIES 1500 \30x\30x40 | | 100509 | 1415 | CHECKED | - | DATE | 10/28/08 |
| SERIES 1500 POLE TENT / STANDARD | | 1500 | AZ-3040-S1500 | REV | 1 | DRAWING NUMBER | |
| 30'W x 40'L x 7'-6"/10' LEG SPACING | | PART DESCRIPTION | | | | | |
| AZTEC | | ENGINEER | | | | | |
| 2665 COLUMBIA ST. TORRANCE, CA. 90503 | | DRAWN | | | | | |
| (800) 228-3687 - FAX (310) 381-0722 | | TTR | | | | | |

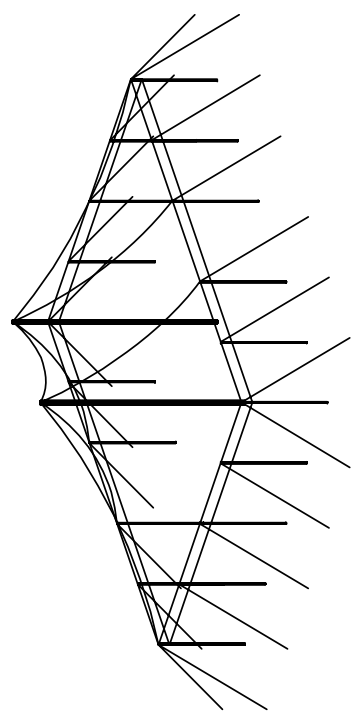


SIDE ELEVATION

● = CENTER POLES NOT TO SCALE



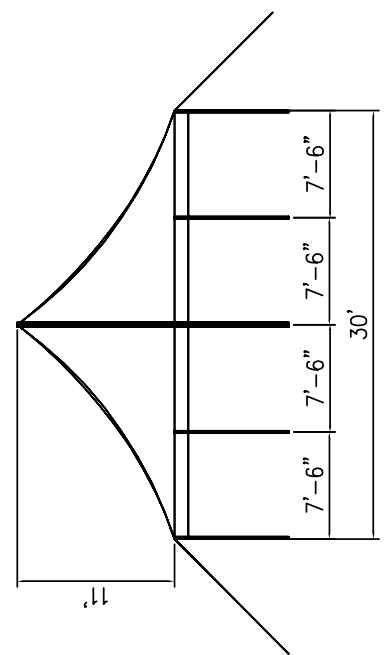
PLAN ELEVATION



ISOMETRIC ELEVATION

SERIES 1500 TENT 30' x 40'

- (1) 30'x30' 2PC. ENDS
- (1) 30'x10' MIDDLE
- (2) 4" O.D. ALUM. 2PC. CENTER POLE (7'L 18' / 8'L 19')
- (18) 2.5" O.D. ALUM. 1PC SIDE POLE (7'L / 8'L)
- (22) 2" IN-LINE RATCHET- GUY OUT
- (24) 36" DOUBLE HEADED STAKES

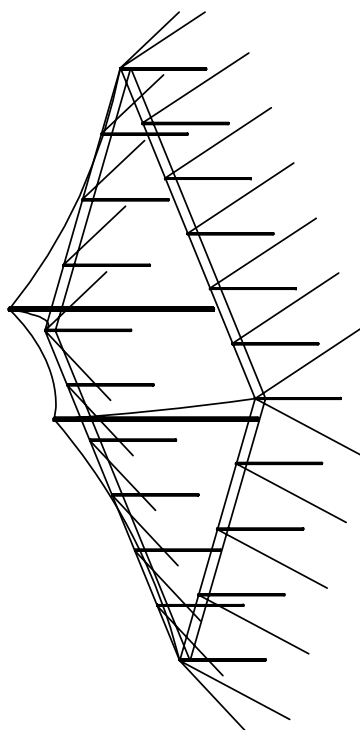


FRONT ELEVATION

ALL DATA AND INFORMATION CONTAINED IN OR DISCLOSED BY THIS DOCUMENT IS CONFIDENTIAL AND PROPRIETARY INFORMATION OF AZTEC TENTS AND ALL RIGHTS THEREIN ARE EXPRESSLY RESERVED. BY ACCEPTING THIS MATERIAL THE RECIPIENT AGREES THAT THIS MATERIAL AND INFORMATION CONTAINED HEREIN IS HELD IN CONFIDENCE AND IN TRUST AND WILL NOT BE COPIED, REPRODUCED WHOLE OR IN PART, NOR ITS CONTENTS REVEALED IN ANY MANNER TO OTHERS, EXCEPT TO MEET THE SPECIFIC PURPOSE FOR WHICH IT WAS FURNISHED.

30x45 Series 1500

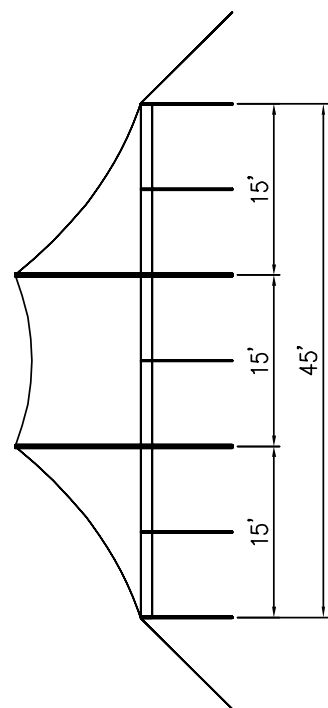
| | | | | | | | |
|---|--|--|---------------------|--|------|--|-----|
| SERIES 1500 POLE TENT / STANDARD 30'W x 45'L x 7'-6" LEG SPACING | | ENGINEER CM | CHECKED 10/05/09 | DATE 10/05/09 | 1500 | AZ-3045-S1500 | REV |
| SERIES 1500 POLE TENT / STANDARD 30'W x 45'L x 7'-6" LEG SPACING | | ENGINEER CM 2665 COLUMBIA ST. TORRANCE, CA. 90503 (800) 228-3687 - FAX (310) 381-0722 | | CHECKED 100509 1220 SERIES 1500\30x\30x45 1PC. | | ALL DATA AND INFORMATION CONTAINED IN OR DISCLOSED BY THIS DOCUMENT IS CONFIDENTIAL AND PROPRIETARY INFORMATION OF AZTEC TENTS AND ALL RIGHTS THEREIN ARE EXPRESSLY RESERVED. BY ACCEPTING THIS MATERIAL THE RECIPIENT AGREES THAT THIS MATERIAL AND INFORMATION CONTAINED HEREIN IS HELD IN CONFIDENCE AND IN TRUST AND WILL NOT BE COPIED, REPRODUCED WHOLE OR IN PART, NOR ITS CONTENTS REVEALED IN ANY MANNER TO OTHERS, EXCEPT TO MEET THE SPECIFIC PURPOSE FOR WHICH IT WAS DELIVERED. | |



ISOMETRIC ELEVATION

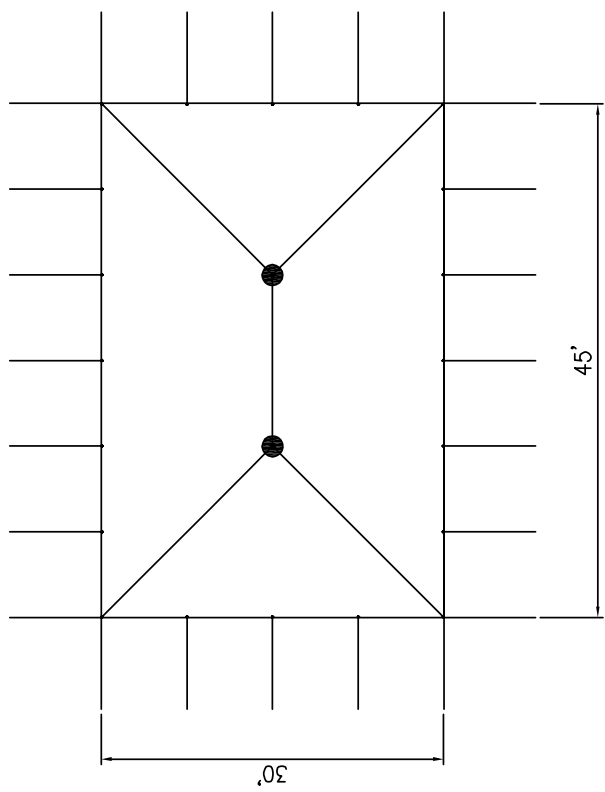
SERIES 1500 TENT 30' x 45' 1PC.

- (1) 30'x45' 1PC. TOP
- (2) 4" O.D. ALUM. 2PC. CENTER POLE (7'L 18' / 8'L 19')
- (20) 2.5" O.D. ALUM. 1PC SIDE POLE (7'L / 8'L)
- (24) 1" IN-LINE RATCHET- GUY OUT
- (26) 36" DOUBLE HEADED STAKES

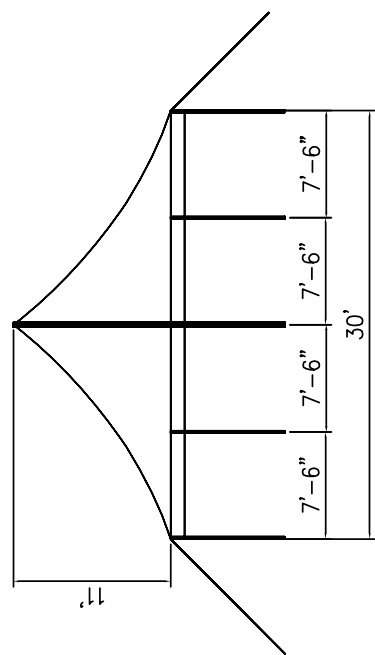


SIDE ELEVATION

● = CENTER POLES NOT TO SCALE

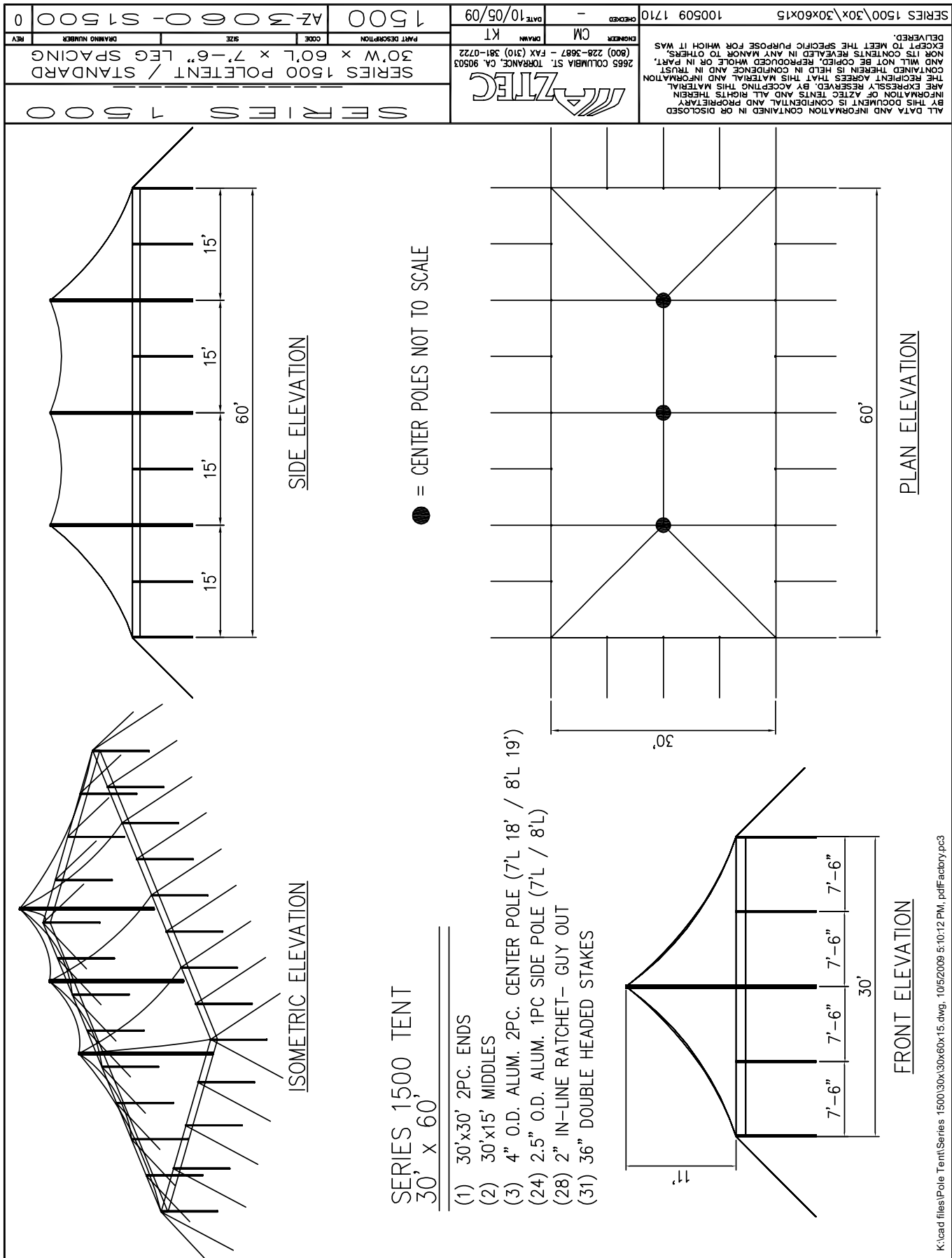


PLAN ELEVATION



FRONT ELEVATION

30x60 Series 1500



SERIES 1500 TENT 30' x 60'

- (1) 30'x30' 2PC. ENDS
- (2) 30'x15' MIDDLES
- (3) 4" O.D. ALUM. 2PC. CENTER POLE (7'L 18' / 8'L 19')
- (24) 2.5" O.D. ALUM. 1PC SIDE POLE (7'L / 8'L)
- (28) 2" IN-LINE RATCHET- GUY OUT
- (31) 36" DOUBLE HEADED STAKES

SIDE ELEVATION

● = CENTER POLES NOT TO SCALE


ISOMETRIC ELEVATION

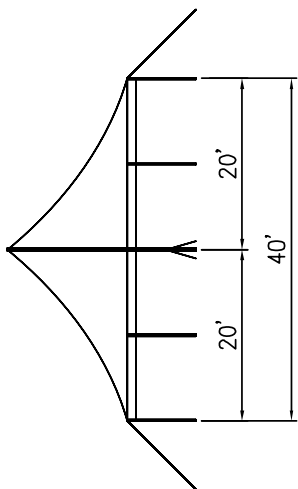
FRONT ELEVATION

PLAN ELEVATION

| | | | | | | | |
|--|--|---|------|---------|----|------|----------|
| SERIES 1500 30'x30x60x15 | | 100509 | 1710 | CHECKED | - | DATE | 10/05/09 |
| SERIES 1500 POLE TENT / STANDARD 30'W x 60'L x 7'-6" LEG SPACING | | CM | KT | DRAWN | KT | DATE | 10/05/09 |
| AZ-3060-S1500 | | <p>ALL DATA AND INFORMATION CONTAINED IN OR DISCLOSED BY THIS DOCUMENT IS CONFIDENTIAL AND PROPRIETARY INFORMATION OF AZTEC TENTS AND ALL RIGHTS THEREIN ARE EXPRESSLY RESERVED. BY ACCEPTING THIS MATERIAL THE RECIPIENT AGREES THAT THIS MATERIAL AND INFORMATION CONTAINED THEREIN IS HELD IN CONFIDENCE AND IN TRUST AND WILL NOT BE COPIED, REPRODUCED WHOLE OR IN PART, EXCEPT TO MEET THE SPECIFIC PURPOSE FOR WHICH IT WAS DELIVERED.</p> <p>2665 COLUMBIA ST. TORRANCE, CA 90503 (800) 228-3687 - FAX (310) 381-0722</p> | | | | | |
| REV | | <p>0</p> | | | | | |

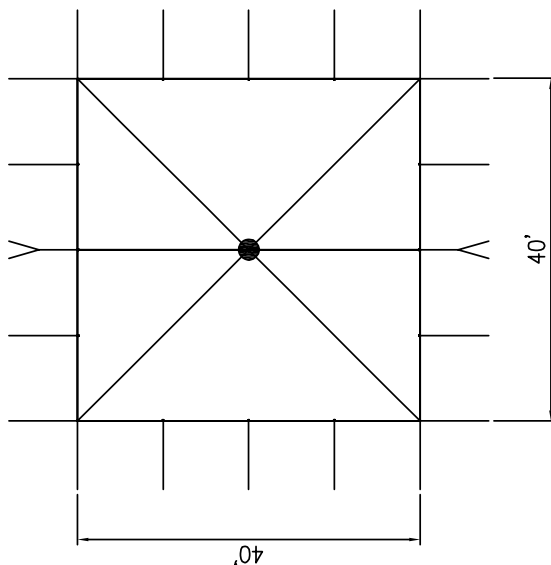
40x40 Series 1500

| | | | | | |
|--|--|-------------|--------------|---|---------------|
| SERIES 1500 \ 40x40x40 | | 032309 1740 | CHECKED | - | DATE 1/3/2008 |
| SERIES 1500 POLE TENT / STANDARD 40'W x 40'L x 10' LEG SPACING | | 1500 | AZ4040-S1500 | 1 | REV |
|  2665 COLUMBIA ST. TORRANCE, CA. 90503 (800) 228-3687 - FAX (310) 381-0722 DRAWN KT/Tr | | ENGINEER | CM | - | |
| <small>ALL DATA AND INFORMATION CONTAINED IN OR DISCLOSED BY THIS DOCUMENT IS CONFIDENTIAL AND PROPRIETARY INFORMATION OF AZTEC TENTS AND ALL RIGHTS THEREIN ARE EXPRESSLY RESERVED. BY ACCEPTING THIS MATERIAL THE RECIPIENT AGREES THAT THIS MATERIAL AND INFORMATION CONTAINED HEREIN IS HELD IN CONFIDENCE AND IN TRUST, AND WILL NOT BE COPIED, REPRODUCED WHOLE OR IN PART, NOR ITS CONTENTS REVEALED IN ANY MANNER TO OTHERS, EXCEPT TO MEET THE SPECIFIC PURPOSE FOR WHICH IT WAS DELIVERED.</small> | | | | | |

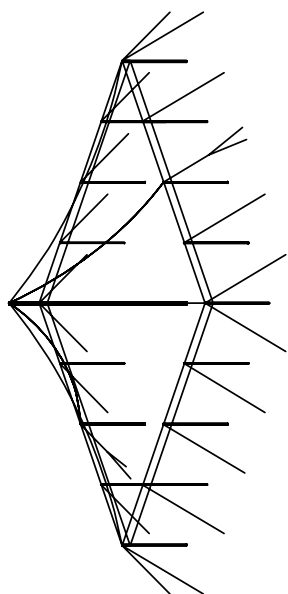


SIDE ELEVATION

● = CENTER POLES NOT TO SCALE



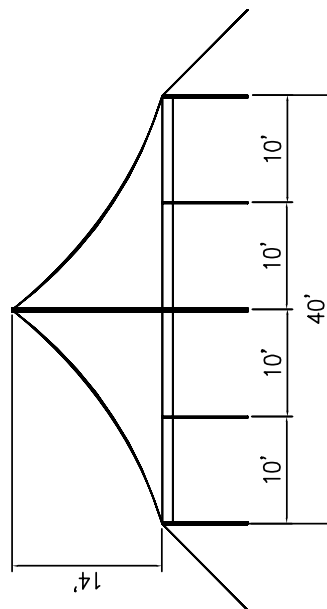
PLAN ELEVATION



ISOMETRIC ELEVATION

SERIES 1500 TENT
40' x 40'

- (1) 40'x40' 2PC. ENDS
- (1) 4" O.D. ALUM. 3PC. CENTER POLE (7'L 21' / 8'L 22')
- (16) 2.5" O.D. ALUM. 1PC SIDE POLE (7'L / 8'L)
- (20) 2" IN-LINE RATCHET - GUY OUT
- (23) 36" DOUBLE HEADED STAKES

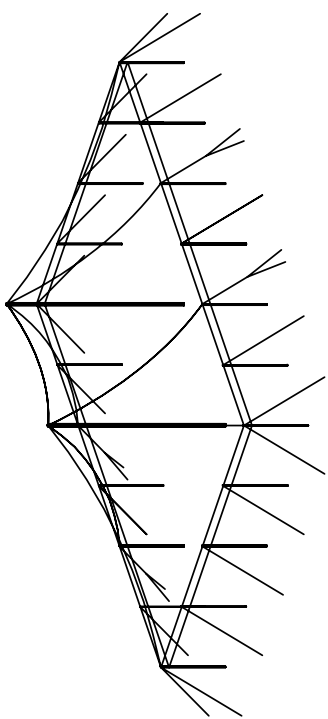


FRONT ELEVATION

40x60 Series 1500

| | | | | | |
|----------------------------------|----------|----------|----------------|--|-----------------------|
| SERIES 1500 POLE TENT / STANDARD | | AZTEC | | 2665 COLUMBIA ST. TORRANCE, CA. 90503 (800) 228-3687 - FAX (310) 381-0722 | |
| REV | DATE | ENGINEER | CHECKED | DATE | PROJECT |
| 1 | 1/3/2008 | CM | - | 032309 1800 | SERIES 1500\40x\40x60 |
| DESCRIPTION | CODE | SIZE | DRAWING NUMBER | | |
| 40'W x 60'L x 20' MIDDLE | | | AZ 4060-S1500 | | |
| SERIES 1500 | | | | | |

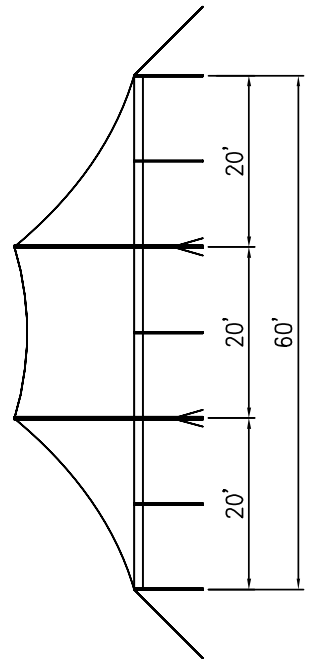
ALL DATA AND INFORMATION CONTAINED IN OR DISCLOSED BY THIS DOCUMENT IS CONFIDENTIAL AND PROPRIETARY INFORMATION OF AZTEC TENTS AND ALL RIGHTS THEREIN ARE EXPRESSLY RESERVED. BY ACCEPTING THIS MATERIAL, THE RECIPIENT AGREES THAT THIS MATERIAL AND INFORMATION CONTAINED THEREIN IS HELD IN CONFIDENCE AND IN TRUST FOR ITS CONTENTS REVEALED IN ANY MANNER TO OTHERS, AND WILL NOT BE COPIED, REPRODUCED WHOLE OR IN PART, EXCEPT TO MEET THE SPECIFIC PURPOSE FOR WHICH IT WAS DELIVERED.



ISOMETRIC ELEVATION

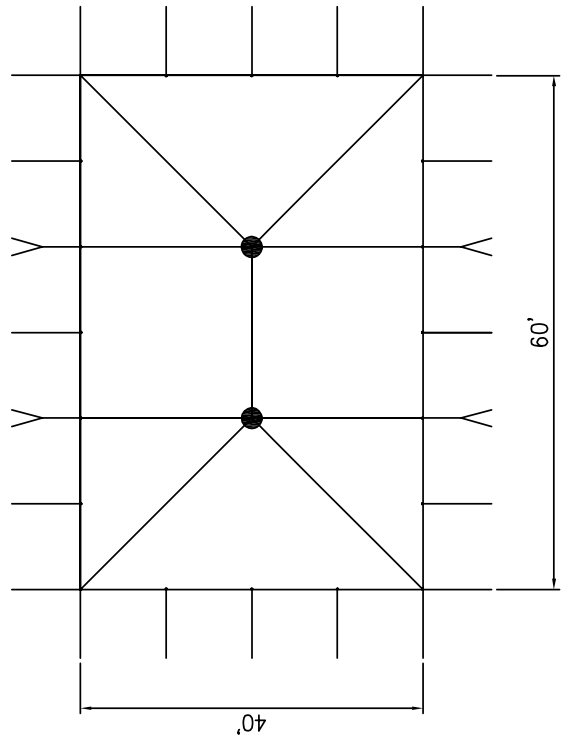
SERIES 1500 TENT 40' x 60'

- (1) 40'x40' 2PC. ENDS
- (1) 40'x20' MIDDLE
- (2) 4" O.D. ALUM. 3PC. CENTER POLE (7'L 21' / 8'L 22')
- (20) 2.5" O.D. ALUM. 1PC SIDE POLE (7'L / 8'L)
- (24) 2" IN-LINE RATCHET - GUY OUT
- (30) 36" DOUBLE HEADED STAKES

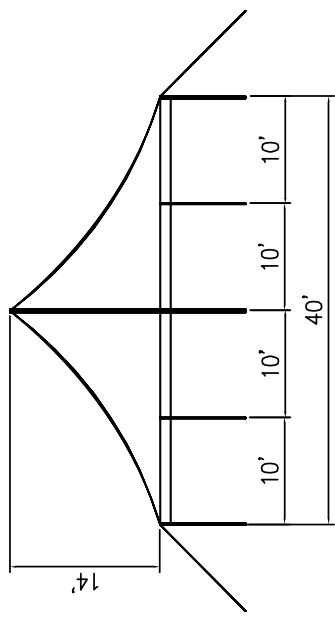


SIDE ELEVATION

● = CENTER POLES NOT TO SCALE



PLAN ELEVATION



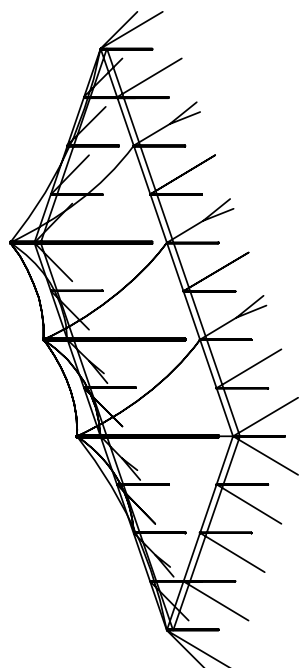
FRONT ELEVATION

K:\cad files\Pole Tent\Series 1500\40x\40x60.dwg, 3/23/2009 6:04:48 PM, pdfFactory.pc3

40x80 Series 1500

| | | | | | | | | | | | |
|---|--|---------------------------------------|--|---------------|--|--------|--|----------------|--|-------------|--|
| SERIES 1500 POLE TENT / STANDARD | | PART DESCRIPTION | | CODE | | SIZE | | DRAWING NUMBER | | REV | |
| SERIES 1500 POLE TENT / STANDARD | | 40'W x 80'L x 20' MIDDLE | | AZ-4080-S1500 | | 1500 | | AZ-4080-S1500 | | 1 | |
| AZTEC | | 2665 COLUMBIA ST. TORRANCE, CA. 90503 | | ENGINEER | | DRAWN | | DATE | | CHECKED | |
| AZTEC | | (800) 228-5687 - FAX (310) 381-0722 | | CM | | KT/Ttr | | 1/3/2008 | | 040609 1235 | |
| <small>ALL DATA AND INFORMATION CONTAINED IN OR DISCLOSED BY THIS DOCUMENT IS CONFIDENTIAL AND PROPRIETARY INFORMATION OF AZTEC TENTS AND ALL RIGHTS THEREBY ARE EXPRESSLY RESERVED. BY ACCEPTING THIS MATERIAL THE RECIPIENT AGREES THAT THIS MATERIAL AND INFORMATION CONTAINED HEREIN IS HELD IN CONFIDENCE AND IN TRUST AND WILL NOT BE COPIED, REPRODUCED WHOLE OR IN PART, NOR ITS CONTENTS REVEALED IN ANY MANNER TO OTHERS, EXCEPT TO MEET THE SPECIFIC PURPOSE FOR WHICH IT WAS DELIVERED.</small> | | | | | | | | | | | |

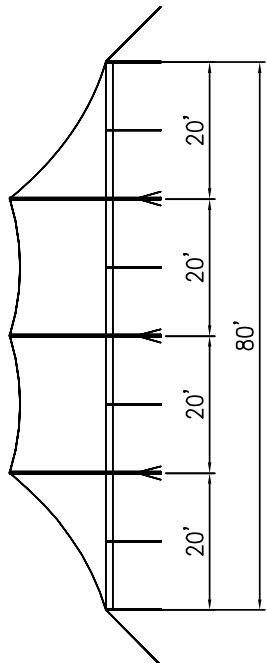
SERIES 1500



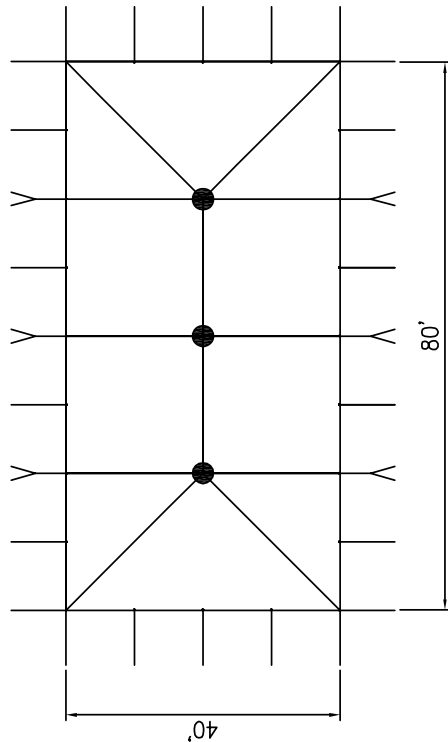
ISOMETRIC ELEVATION

SERIES 1500 TENT 40' x 80'

- (1) 40'x40' 2PC. ENDS
- (2) 40'x20' MIDDLE
- (3) 4" O.D. ALUM. 3PC. CENTER POLE (7'L 21' / 8'L 22')
- (24) 2.5" O.D. ALUM. 1PC SIDE POLE (7'L / 8'L)
- (28) 2" IN-LINE RATCHET - GUY OUT
- (37) 36" DOUBLE HEADED STAKES

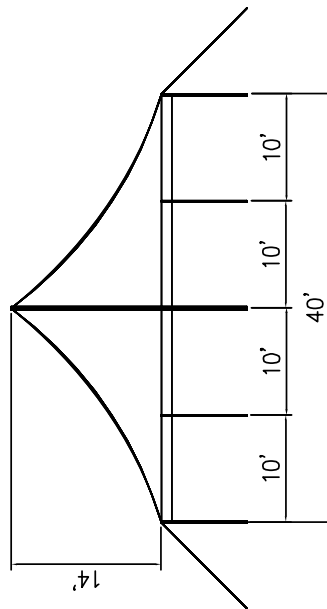


SIDE ELEVATION



● = CENTER POLES NOT TO SCALE

PLAN ELEVATION



FRONT ELEVATION

Parts Listing

| Item | Item No. | Weight lbs |
|--------------------------------|---------------|------------|
| 1.75" 2pc Alum SP x 7'0" | Z3911.750TX07 | 0 |
| 2.5" 1pc Alum SP x 7'0" | Z3912.5BX07 | 7 |
| 2.5" 1pc Alum SP x 8'0" | Z3912.5BX08 | 8 |
| 2.5" 2pc S1500 CP x 14'0" | Z3932.5TX14 | 0 |
| 2.5" 2pc S1000/1500 CP x 15'0" | Z3932.5TX15 | 0 |
| 4.0" 2pc S1000/1500 CP x 18'0" | Z3934.000TX18 | 0 |
| 4.0" 2pc S1500 CP x 19'0" | Z3934.000TX19 | 0 |
| 4.0" 3pc S1000/1500 CP x 21'0" | Z3934.000TX21 | 0 |
| 4.0" 3pc S1500 CP x 22'0" | Z3934.000TX22 | 0 |
| 1.75" Alum CP Section "G" | Z3971.750TXG | 1 |
| 1.75" Alum CP Section "J" | Z3971.750TXJ | 1 |
| 2.5" Alum CP Bottom x 7'0" | Z3972.5TXB07 | 6 |
| 2.5" Alum CP Top Section 7'0" | Z3972.5TXT07 | 6 |
| 2.5" Alum CP Top Section 8'0" | Z3972.5TXT08 | 7 |
| 4.0" Alum CP Bottom x 9'0" | Z3974.000BX09 | 21 |
| 4.0" Alum CP x 3' EXT | Z3974.000TX03 | 6 |
| 4.0" Alum CP x 4' EXT | Z3974.000TX04 | 8 |
| 4.0" Alum CP Top Section 8'0" | Z3974.000TX08 | 18 |
| 4.0" Alum CP Top Section 9'0" | Z3974.000TX09 | 20 |
| 1.75 OD Pole End Cap (Black) | Z39900030 | 0 |
| 1.75 OD Pole Pin- Plastic 3/8" | Z39900040 | 0 |
| 2.5" OD Pole Pin 1/2"OD-Plasti | Z39900090 | 1 |
| 2.5" OD Bottom Insert - H.D. | Z39900095 | 1 |
| 1" Inline Ratchet w/10' Web Gu | Z39900280 | 3 |
| 2" Inline Ratchet w/12' Web Gu | Z39900290 | 6 |
| 1" Pipe & Flange | Z39900380 | 2 |
| 24" Steel Stake w/Welded Hook | Z51100020 | 3 |
| 1" x 42" Double Headed Stake | Z51100070 | 10 |

If YOU can IMAGINE it... WE can BUILD it

www.aztectents.com

Aztec Tents

2665 Columbia Street
Torrance, CA 90503
Toll Free (800) 228-3687
Fax (310) 381-0722