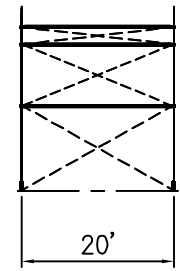
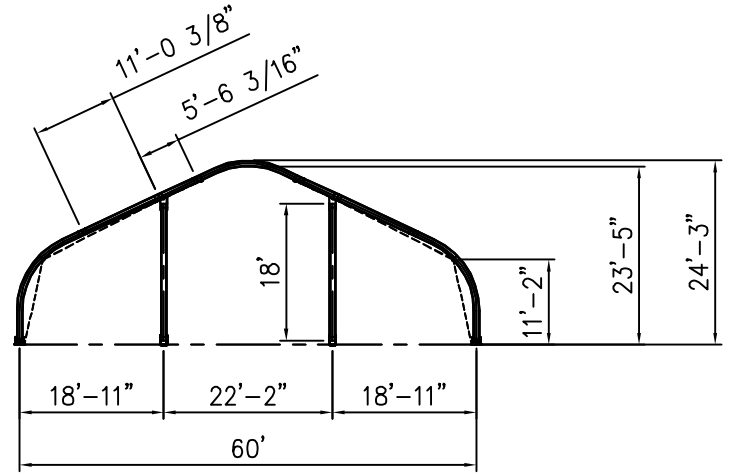
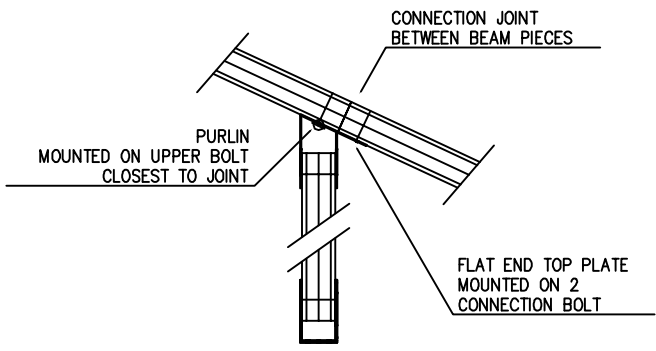


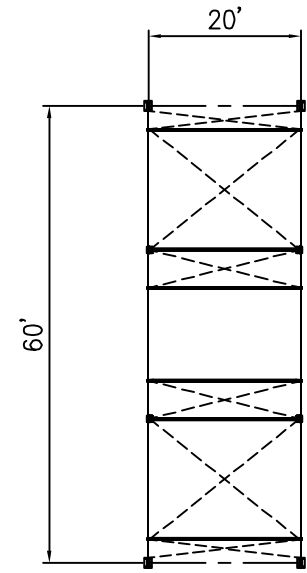
ISOMETRIC ELEVATION



SIDE ELEVATION



FRONT ELEVATION



PLAN ELEVATION



2685 COLUMBIA ST. TORRANCE, CA. 90503  
(800) 228-3687 - FAX (310) 361-0722

STANDARD

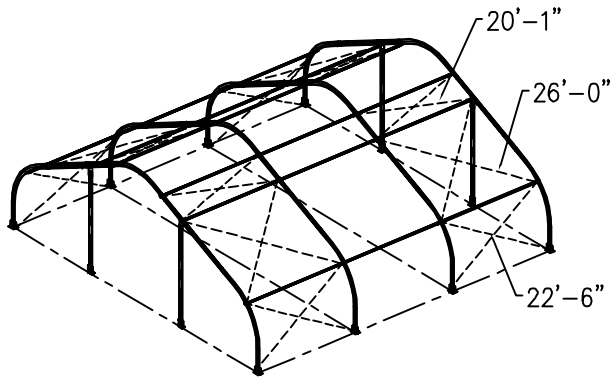
MID BEAM STRUCTURE / STANDARD  
60' W x 20' L x 20' BAYS

REV	
DRAWING NUMBER	AZ60x20-MID BEAM 0
CODE	
SIZE	
PART DESCRIPTION	

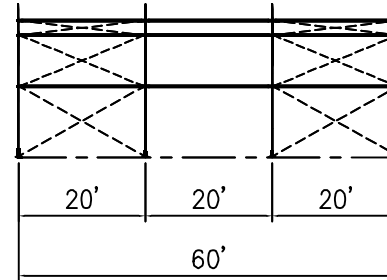
ENGINEER	CM
DRAWN	KT
DATE	03/09/10
CHECKED	-

ALL DATA AND INFORMATION CONTAINED IN OR DISCLOSED BY THIS DOCUMENT IS CONFIDENTIAL AND PROPRIETARY INFORMATION OF AZTEC TENTS AND ALL RIGHTS THEREIN ARE RESERVED. THE RECIPIENT AGREES TO MAINTAIN THE CONFIDENTIALITY OF THIS INFORMATION AND TO NOT REPRODUCE OR DISSEMINATE THE INFORMATION CONTAINED HEREIN TO ANY OTHER PARTY WITHOUT THE WRITTEN CONSENT OF AZTEC TENTS. THE RECIPIENT'S OBLIGATIONS UNDER THIS AGREEMENT SHALL SURVIVE THE TERMINATION OR CANCELLATION OF THIS AGREEMENT. THE RECIPIENT'S OBLIGATIONS UNDER THIS AGREEMENT SHALL SURVIVE THE TERMINATION OR CANCELLATION OF THIS AGREEMENT. THE RECIPIENT'S OBLIGATIONS UNDER THIS AGREEMENT SHALL SURVIVE THE TERMINATION OR CANCELLATION OF THIS AGREEMENT.

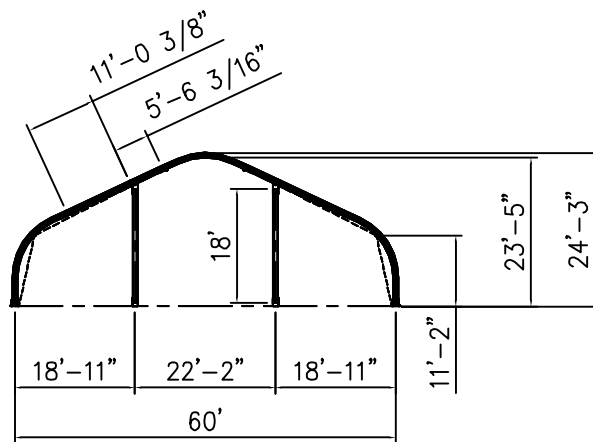
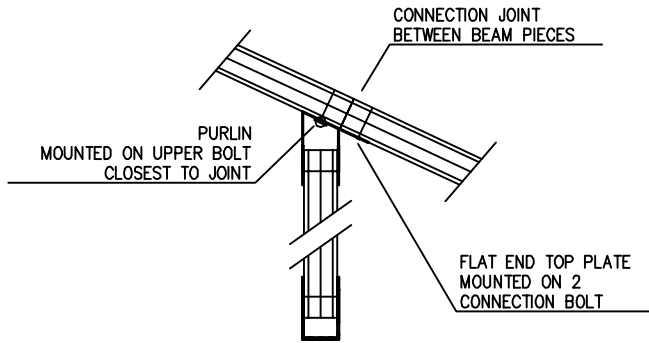
MID\BUILDING\60\MID 60x20	030910	1840
---------------------------	--------	------



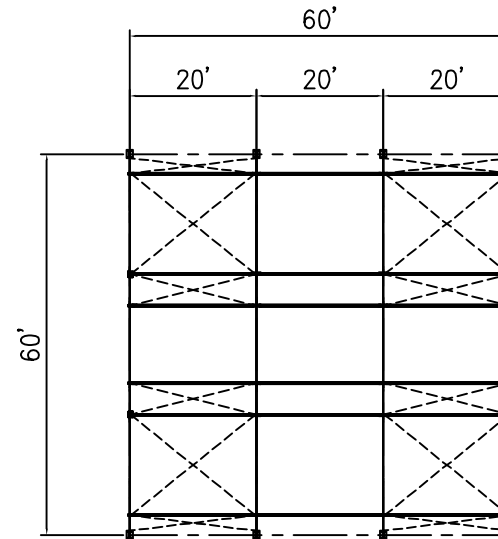
ISOMETRIC ELEVATION



SIDE ELEVATION



FRONT ELEVATION



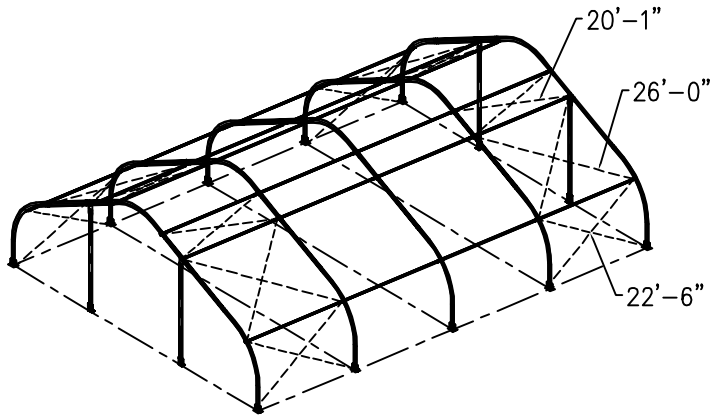
PLAN ELEVATION



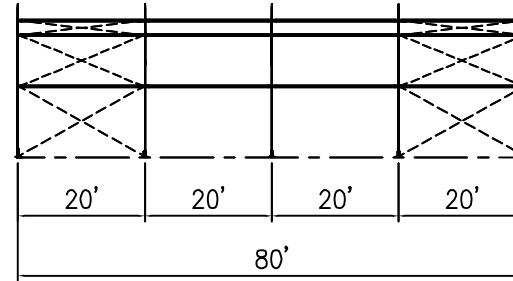
ALL DATA AND INFORMATION CONTAINED IN OR DISCLOSED BY THIS DOCUMENT IS CONFIDENTIAL AND PROPRIETARY INFORMATION OF AZTEC TENTS AND ALL RIGHTS THEREIN ARE RESERVED. THE RECIPIENT AGREES TO MAINTAIN ALL INFORMATION CONTAINED HEREIN IS HELD IN CONFIDENCE AND IN TRUST AND WILL NOT BE COPIED, REPRODUCED WHOLE OR IN PART, NOR ITS CONTENTS REVEALED IN ANY MANNER TO OTHERS, EXCEPT TO MEET THE SPECIFIC PURPOSE FOR WHICH IT WAS DELIVERED.

STANDARD	
MID BEAM STRUCTURE / STANDARD	
60' W x 60' L x 20' BAYS	
PART DESCRIPTION	CODE
AZ606020- MID BEAM	3

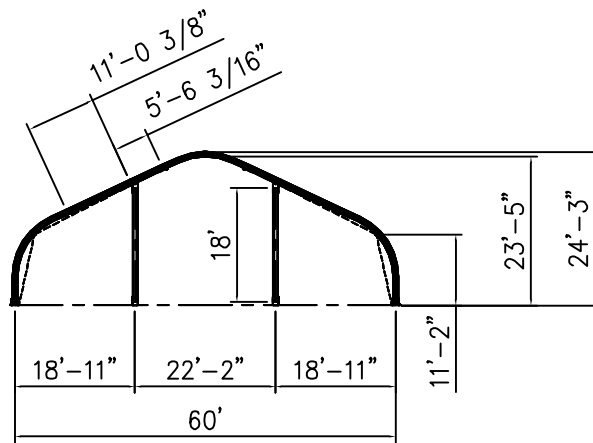
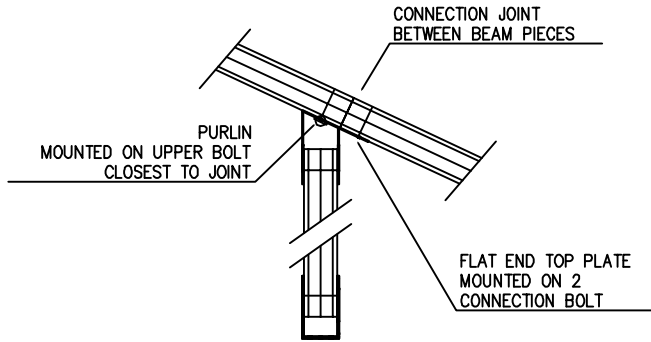
ENGINEER	CM	DRAWN	TTR	DATE	09/16/05
CHECKED	-				



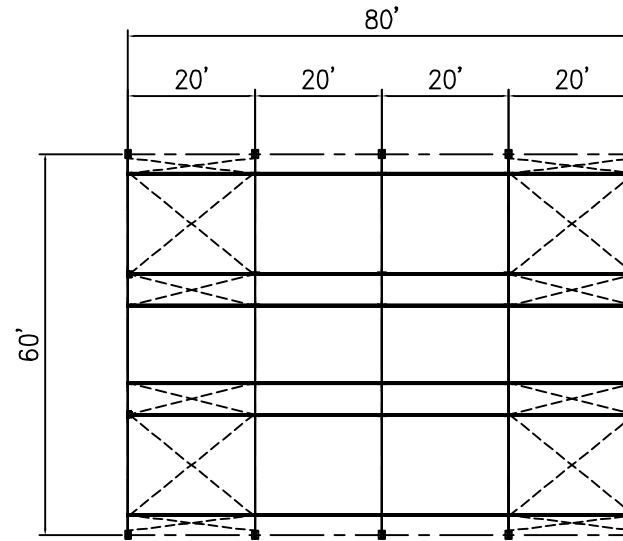
ISOMETRIC ELEVATION



SIDE ELEVATION



FRONT ELEVATION



PLAN ELEVATION



2685 COLUMBIA ST. TORRANCE, CA. 90503  
(800) 228-3687 - FAX (310) 361-0722

ALL DATA AND INFORMATION CONTAINED IN OR DISCLOSED BY THIS DOCUMENT IS CONFIDENTIAL AND PROPRIETARY INFORMATION OF AZTEC TENTS AND ALL RIGHTS THEREIN ARE RESERVED. THE RECIPENT AGREES TO HOLD THE INFORMATION CONTAINED HEREIN IN CONFIDENCE AND IN TRUST AND WILL NOT BE COPIED, REPRODUCED WHOLE OR IN PART, NOR ITS CONTENTS REVEALED IN ANY MANNER TO OTHERS, EXCEPT TO MEET THE SPECIFIC PURPOSE FOR WHICH IT WAS DELIVERED.

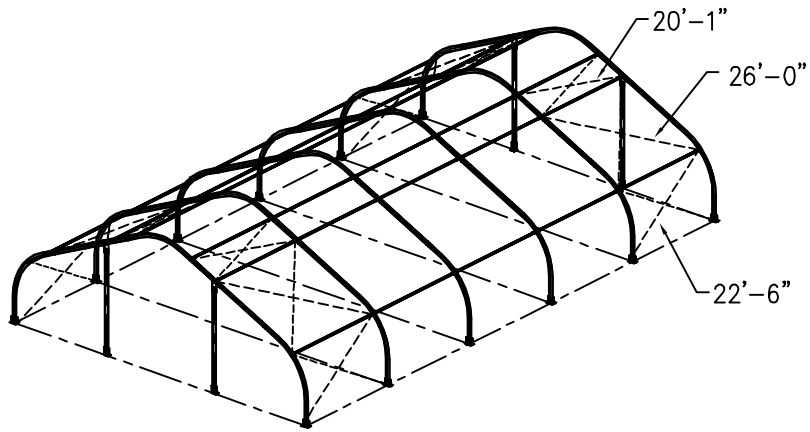
STANDARD

MID BEAM STRUCTURE / STANDARD  
60' W x 80' L x 20' BAYS

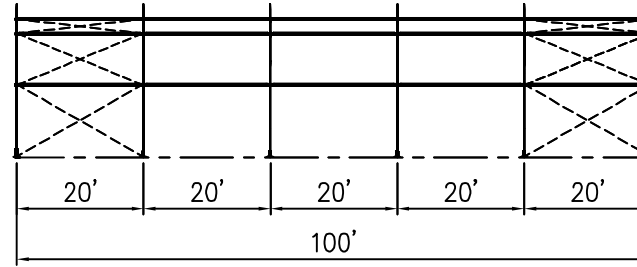
REV	3
DRAWING NUMBER	AZ608020- MID BEAM
CODE	
SIZE	
PART DESCRIPTION	

ENGINEER	CM
DRAWN	TTR
DATE	09/16/05
CHECKED	-

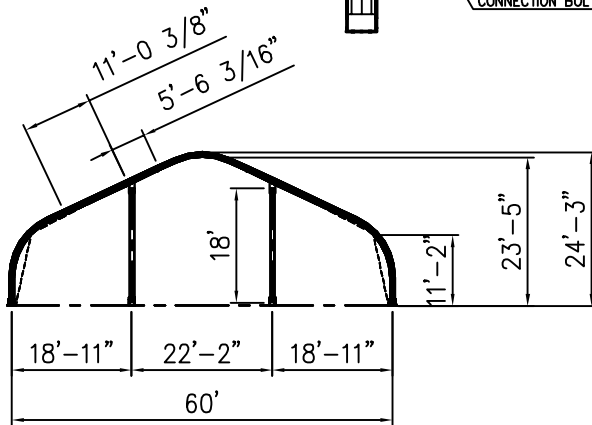
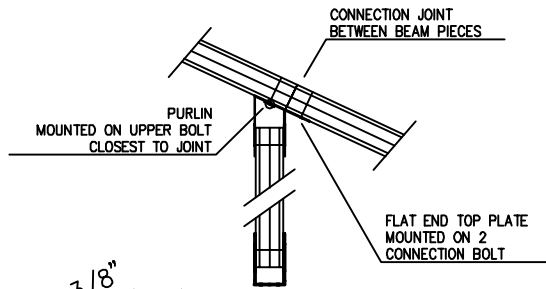
MID\BUILDING\60\MID 60x80x20 021508 1300



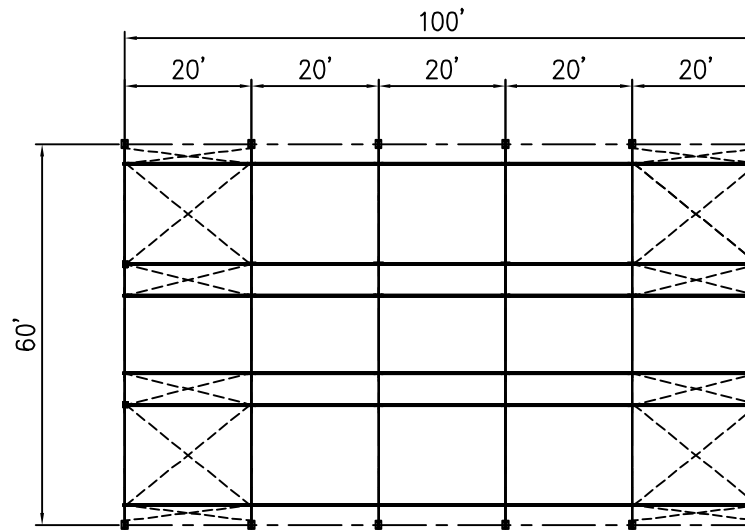
ISOMETRIC ELEVATION



SIDE ELEVATION



FRONT ELEVATION



PLAN ELEVATION

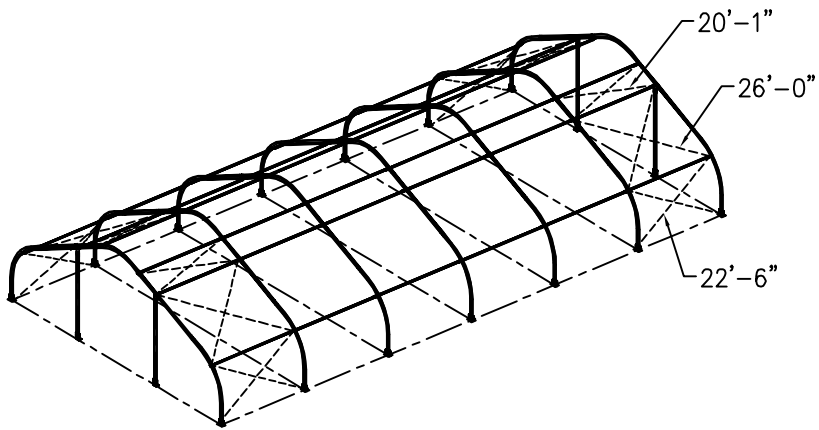
**AZTEC**  
 2685 COLUMBIA ST. TORRANCE, CA. 90503  
 (800) 228-3687 - FAX (310) 361-0722

ENGINEER: CM  
 DRAWN: KT  
 DATE: 01/09/08

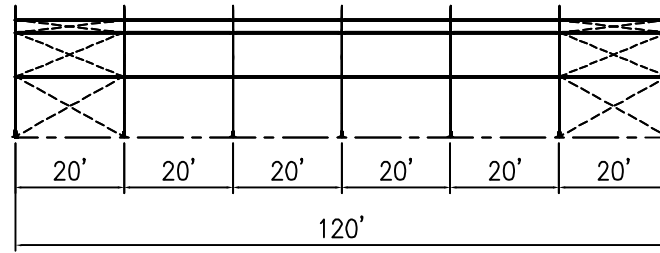
ALL DATA AND INFORMATION CONTAINED IN OR DISCLOSED BY THIS DOCUMENT IS CONFIDENTIAL AND PROPRIETARY INFORMATION OF AZTEC TENTS AND ALL RIGHTS THEREIN ARE RESERVED. THE RECIPIENT AGREES TO MAINTAIN THE CONFIDENTIALITY OF THIS INFORMATION AND WILL NOT BE COPIED, REPRODUCED WHOLE OR IN PART, NOR ITS CONTENTS REVEALED IN ANY MANNER TO OTHERS, WITHOUT THE WRITTEN CONSENT OF AZTEC TENTS. THIS AGREEMENT IS ACCEPTED TO MEET THE SPECIFIC PURPOSE FOR WHICH IT WAS DELIVERED.

MID\60\MID60x100x20  
 041008 1640  
 CHECKED: -  
 DATE: 01/09/08

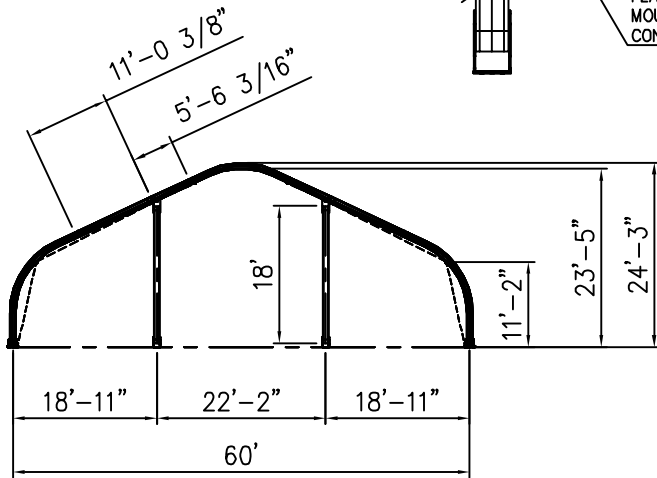
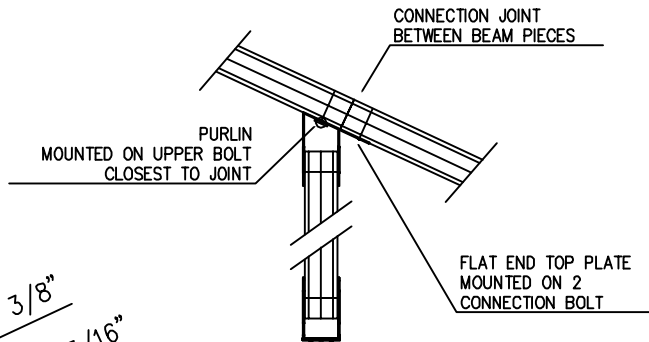
STANDARD	
MID BEAM STRUCTURE / STANDARD	
60' W x 100' L x 20' BAYS	
PART DESCRIPTION	AZ60100-MID BEAM
CODE	---
SIZE	---
DRAWING NUMBER	1



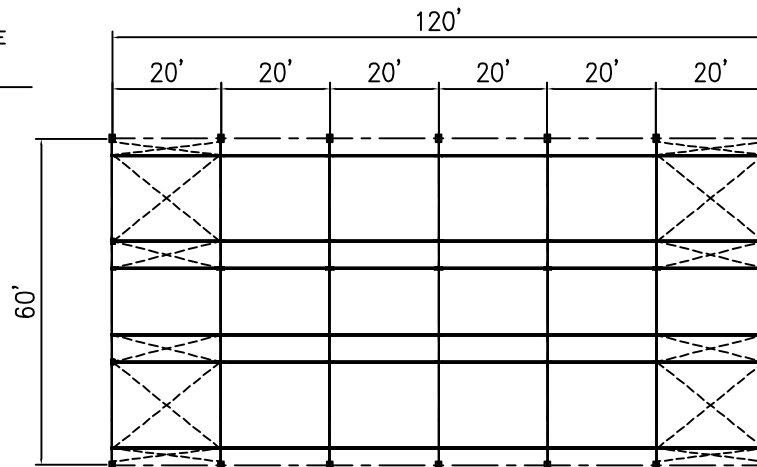
ISOMETRIC ELEVATION



SIDE ELEVATION



FRONT ELEVATION



PLAN ELEVATION



2685 COLUMBIA ST. TORRANCE, CA. 90503  
(800) 228-3687 - FAX (310) 361-0722

STANDARD

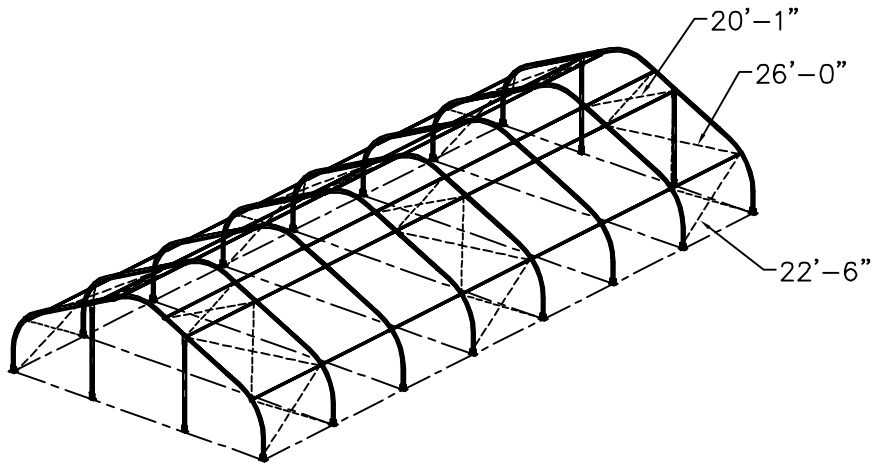
MID BEAM STRUCTURE / STANDARD  
60' W x 120' L x 20' BAYS

REV			
DRAWING NUMBER	AZ-6012020-	MID BEAM	1

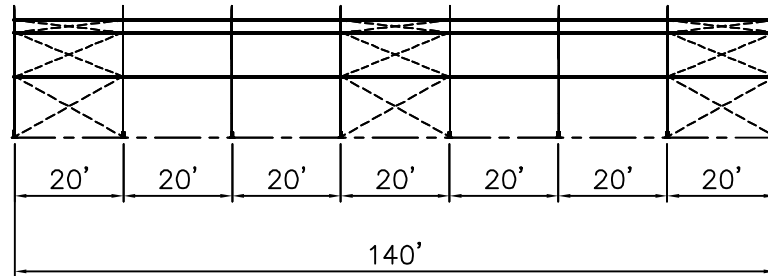
ENGINEER	CM	DRAWN	KT	DATE	01/02/08
CHECKED	-				

ALL DATA AND INFORMATION CONTAINED IN OR DISCLOSED BY THIS DOCUMENT IS CONFIDENTIAL AND PROPRIETARY INFORMATION OF AZTEC TENTS AND ALL RIGHTS THEREIN ARE RESERVED. THE RECIPENT AGREES TO MAINTAIN THE CONFIDENTIALITY OF THIS INFORMATION AND INFORMATION CONTAINED HEREIN IS HELD IN CONFIDENCE AND IN TRUST AND WILL NOT BE COPIED, REPRODUCED WHOLE OR IN PART, NOR ITS CONTENTS REVEALED IN ANY MANNER TO OTHERS, EXCEPT TO MEET THE SPECIFIC PURPOSE FOR WHICH IT WAS DELIVERED.

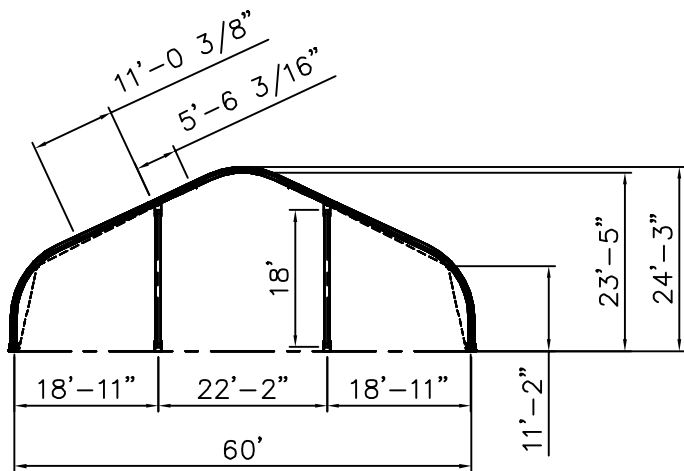
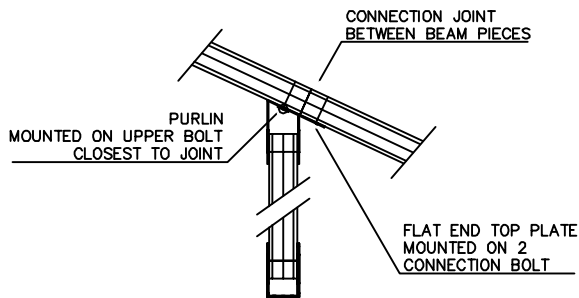
PROJECT	MID BUILDING 60x120x20	DATE	02/18/08	1650
---------	------------------------	------	----------	------



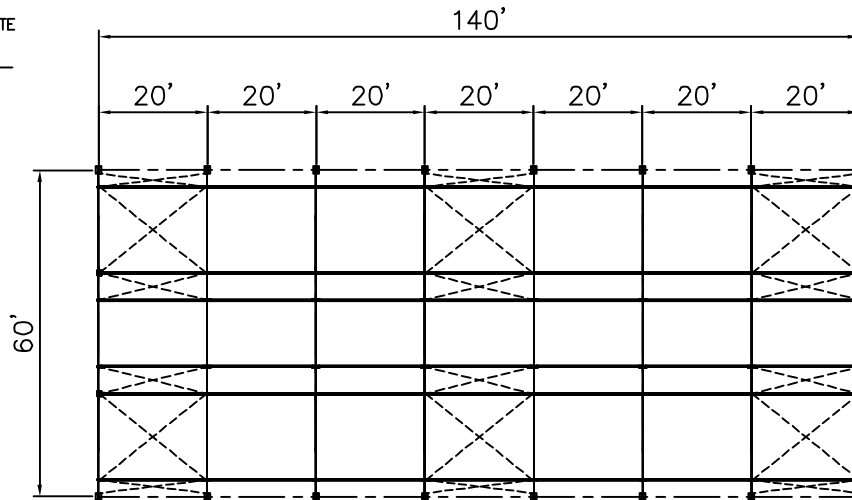
ISOMETRIC ELEVATION



SIDE ELEVATION



FRONT ELEVATION



PLAN ELEVATION



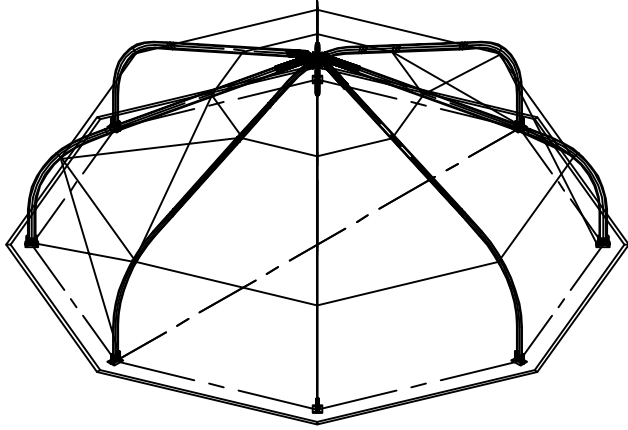
ALL DATA AND INFORMATION CONTAINED IN OR DISCLOSED BY THIS DOCUMENT IS CONFIDENTIAL AND PROPRIETARY INFORMATION OF AZTEC TENTS AND ALL RIGHTS THEREIN ARE RESERVED. THE RECIPIENT AGREES TO MAINTAIN THE CONFIDENTIALITY AND INFORMATION CONTAINED HEREIN IS HELD IN CONFIDENCE AND IN TRUST AND WILL NOT BE COPIED, REPRODUCED WHOLE OR IN PART, NOR ITS CONTENTS REVEALED IN ANY MANNER TO OTHERS, WITHOUT THE WRITTEN CONSENT OF AZTEC TENTS. ACCEPT TO MEET THE SPECIFIC PURPOSE FOR WHICH IT WAS DELIVERED.

STANDARD	
MID BEAM STRUCTURE / STANDARD	
60' W x 140' L x 20' BAYS	
CODE	SIZE
AZ-6014020-	MID BEAM
REV	0

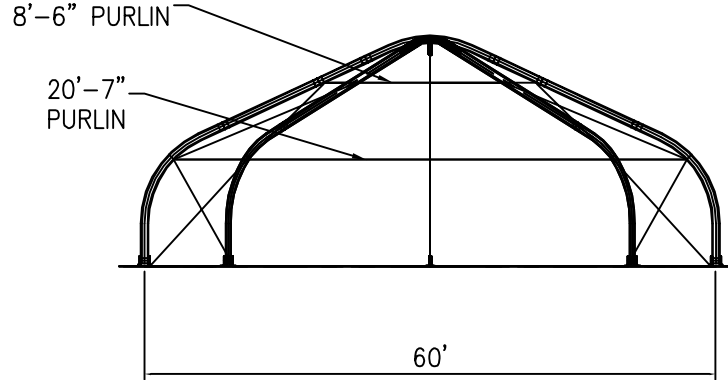
ENGINEER	CM	DRAWN	KT	DATE	02/19/08
CHECKED	-				

MID\BUILDING\60\MID 60x140x20	021908	14.35
-------------------------------	--------	-------

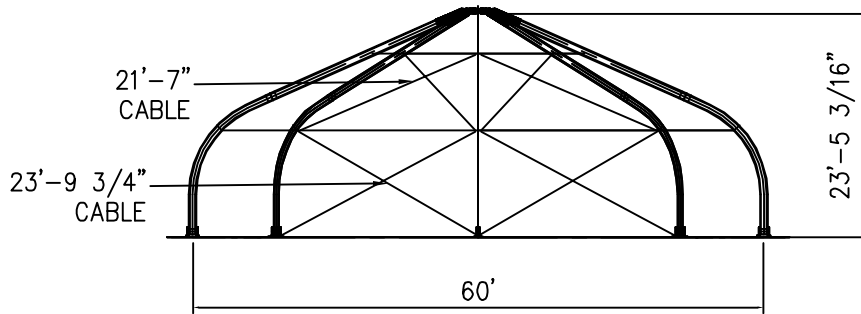
- (1) 60' WIDE COMPLETE BEAM
- (6) 60' HALF BEAMS



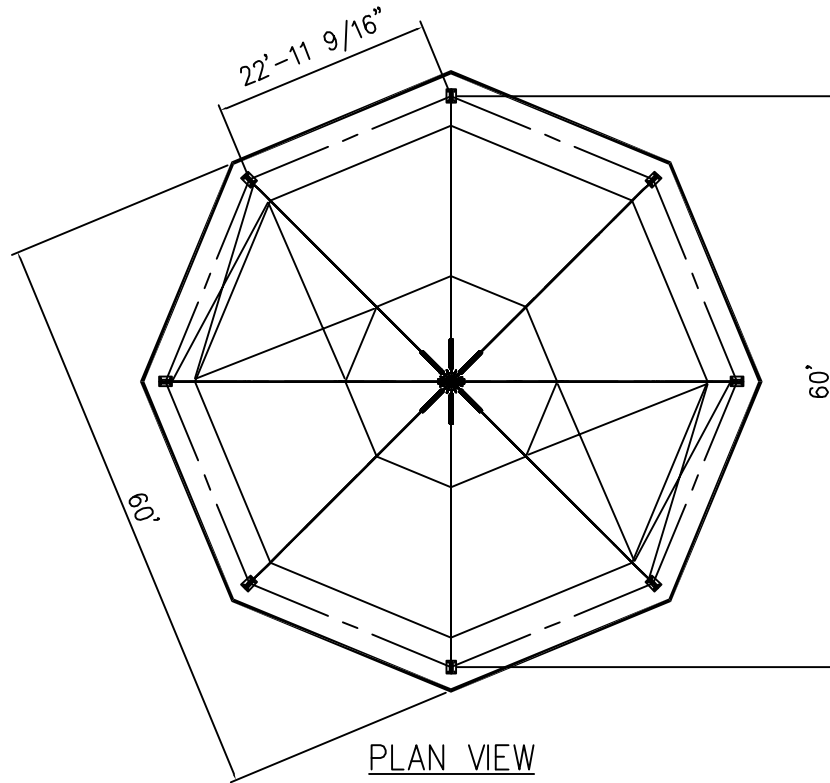
ISOMETRIC VIEW



SIDE VIEW



FRONT VIEW



PLAN VIEW



2685 COLUMBIA ST. TORRANCE, CA. 90503  
(800) 228-3687 - FAX (310) 381-0722

ENGINEER CM  
DRAWN KT  
DATE 03/22/05

ALL DATA AND INFORMATION CONTAINED IN OR DISCLOSED BY THIS DOCUMENT IS CONFIDENTIAL AND PROPRIETARY INFORMATION OF AZTEC TENTS AND ALL RIGHTS THEREIN ARE RESERVED. THE USER OF THIS DOCUMENT AGREES TO HOLD THE INFORMATION CONTAINED HEREIN IN CONFIDENCE AND IN TRUST AND WILL NOT BE COPIED, REPRODUCED WHOLE OR IN PART, NOR ITS CONTENTS REVEALED IN ANY MANNER TO OTHERS, WITHOUT THE WRITTEN CONSENT OF AZTEC TENTS, INC. ACCEPT TO MEET THE SPECIFIC PURPOSE FOR WHICH IT WAS DELIVERED.

MID\ROUND\60x OCT\60x RND 031308 1025

60x ROUND MID

MID BEAM STRUCTURE / CUSTOM  
60x ROUND STRUCTURE

PART DESCRIPTION	CODE	SIZE	DRAWING NUMBER	REV
AZ-60x ROUND- STRUCTURE				6