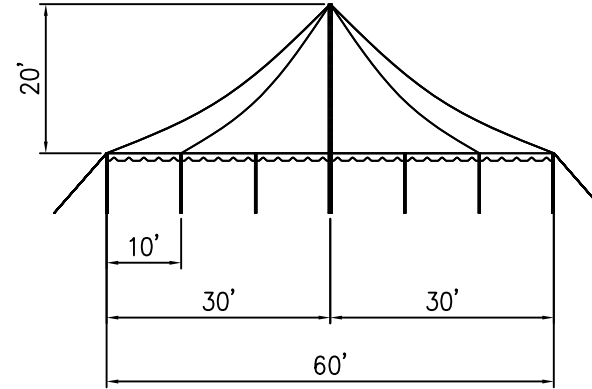
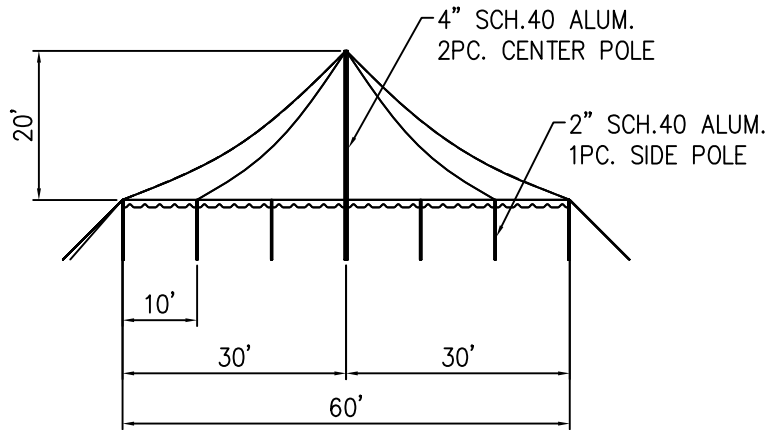


ISOMETRIC VIEW

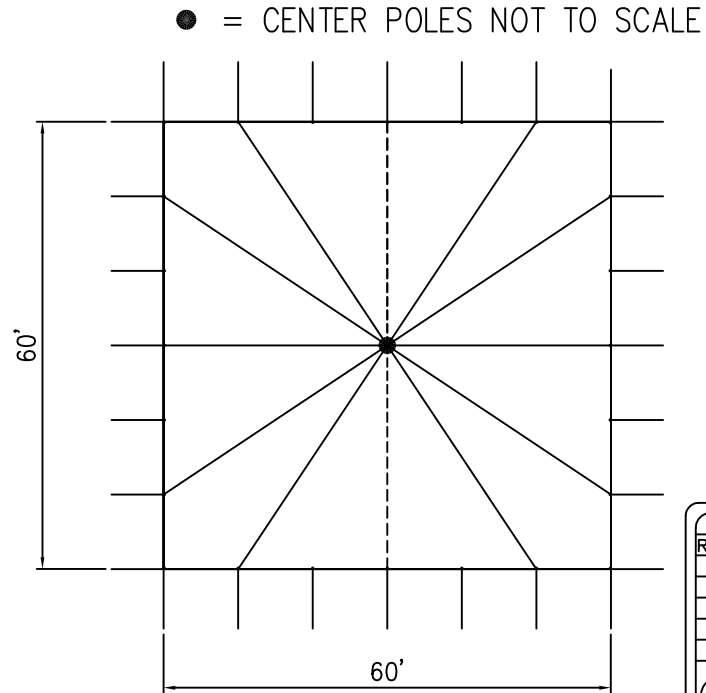


SIDE VIEW

SERIES 1000 TENT  
60' x 60'



FRONT VIEW



PLAN VIEW

ALL DATA AND INFORMATION CONTAINED IN OR DISCLOSED BY THIS DOCUMENT IS CONFIDENTIAL AND PROPRIETARY INFORMATION OF AZTEC TENTS AND ALL RIGHTS THEREIN ARE EXPRESSLY RESERVED. BY ACCEPTING THIS MATERIAL THE RECIPIENT AGREES THAT THIS MATERIAL AND INFORMATION CONTAINED THEREIN IS HELD IN CONFIDENCE AND IN TRUST AND WILL NOT BE COPIED, REPRODUCED WHOLE OR IN PART, NOR ITS CONTENTS REVEALED IN ANY MANNER TO OTHERS, EXCEPT TO MEET THE SPECIFIC PURPOSE FOR WHICH IT WAS DELIVERED.

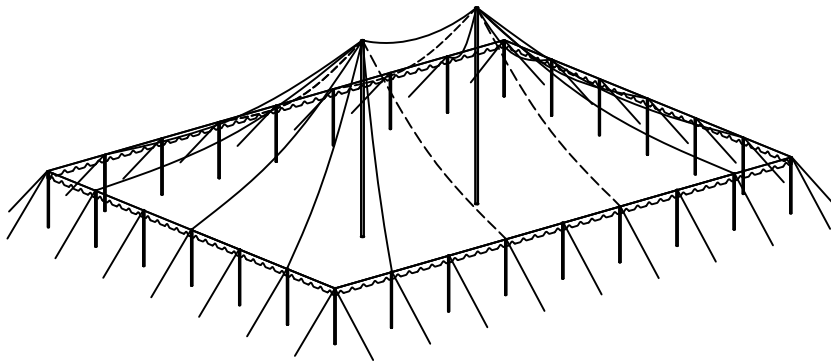
**AZTEC TENTS**  
DESIGN & PRODUCTION  
2665 COLUMBIA ST. TORRANCE, CA. 90503  
(800) 228-3687 - FAX (310) 381-0722

SERIES 1000 FRAME  
SERIES 1000 POLE TENT / STANDARD  
60"W X 60'L X 10' LEG SPACING  
PART NUMBER: ZXXXXXXX

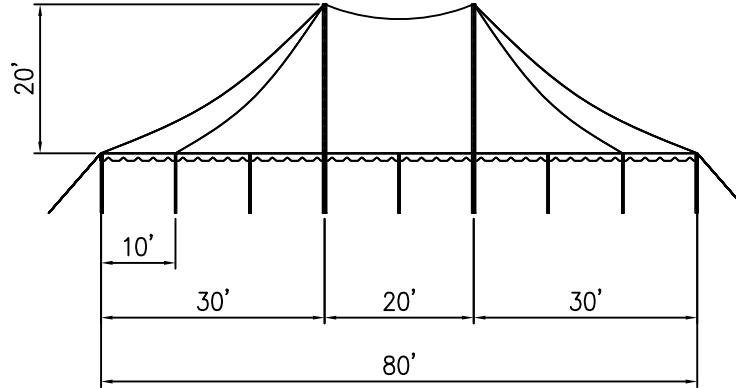
REVISION HISTORY			
REV.	DESCRIPTION:	BY:	DATE:

**CONFIDENTIAL**

ENGINEER:	N/A	DATE:	4/12/2016
PAGE:	1 OF 1	DRAWN:	HUGO.R

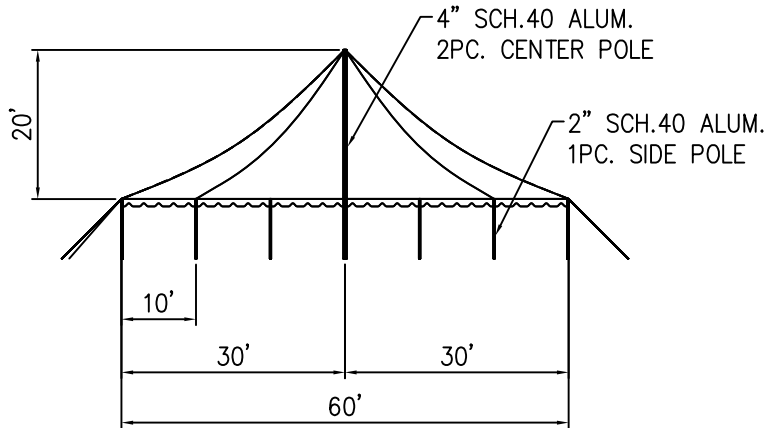


ISOMETRIC VIEW



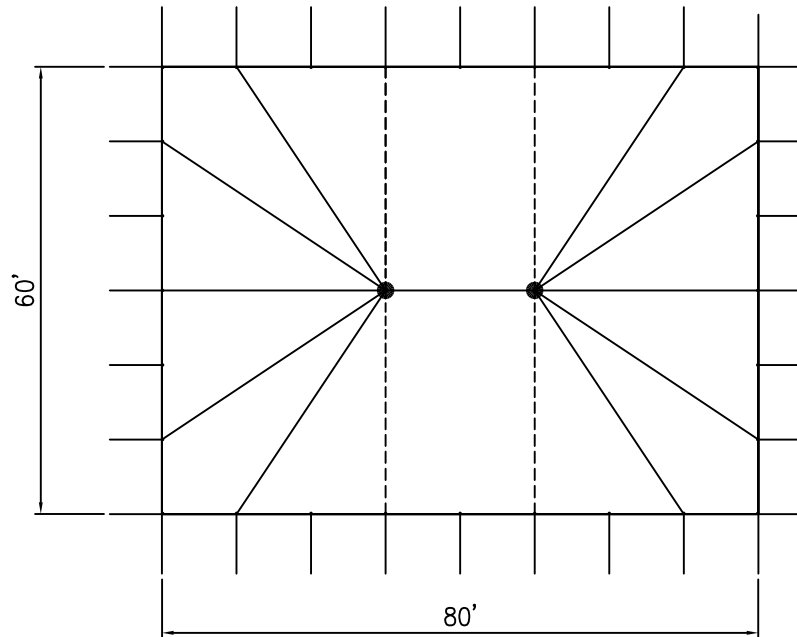
SIDE VIEW

SERIES 1000 TENT  
60' x 80'



FRONT VIEW

● = CENTER POLES NOT TO SCALE



PLAN VIEW

ALL DATA AND INFORMATION CONTAINED IN OR DISCLOSED BY THIS DOCUMENT IS CONFIDENTIAL AND PROPRIETARY INFORMATION OF AZTEC TENTS AND ALL RIGHTS THEREIN ARE EXPRESSLY RESERVED. BY ACCEPTING THIS MATERIAL THE RECIPIENT AGREES THAT THIS MATERIAL AND INFORMATION CONTAINED THEREIN IS HELD IN CONFIDENCE AND IN TRUST AND WILL NOT BE COPIED, REPRODUCED WHOLE OR IN PART, NOR ITS CONTENTS REVEALED IN ANY MANNER TO OTHERS, EXCEPT TO MEET THE SPECIFIC PURPOSE FOR WHICH IT WAS DELIVERED.

**AZTEC TENTS**  
 DESIGN & PRODUCTION  
 2665 COLUMBIA ST. TORRANCE, CA. 90503  
 (800) 228-3687 - FAX (310) 381-0722

SERIES 1000 FRAME  
 SERIES 1000 POLE TENT / STANDARD  
 60'W X 80'L X 20'MIDDLES  
 PART NUMBER: ZXXXXXXX

REVISION HISTORY			
REV.	DESCRIPTION:	BY:	DATE:

**CONFIDENTIAL**

ENGINEER:	N/A	DATE:	4/12/2016
PAGE:	1 OF 1	DRAWN:	HUGO.R

