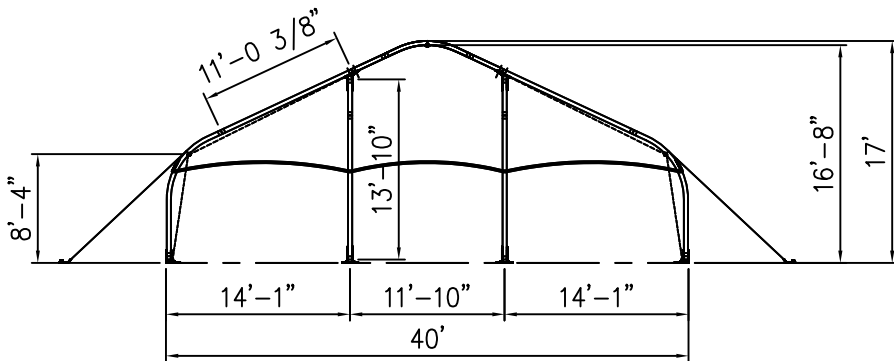
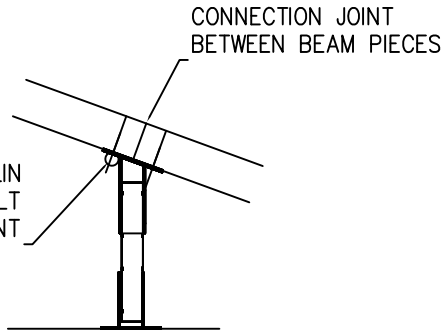
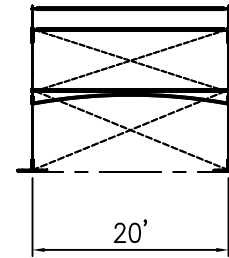


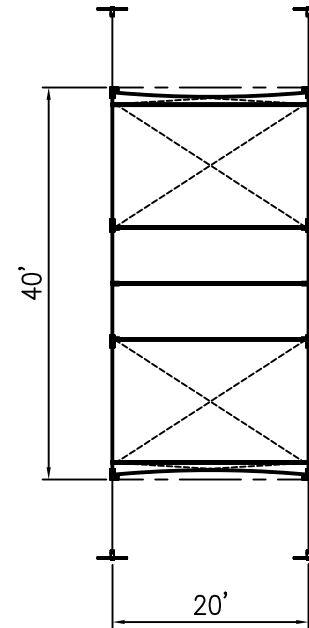
**ISOMETRIC VIEW**



**FRONT VIEW**



**SIDE VIEW**



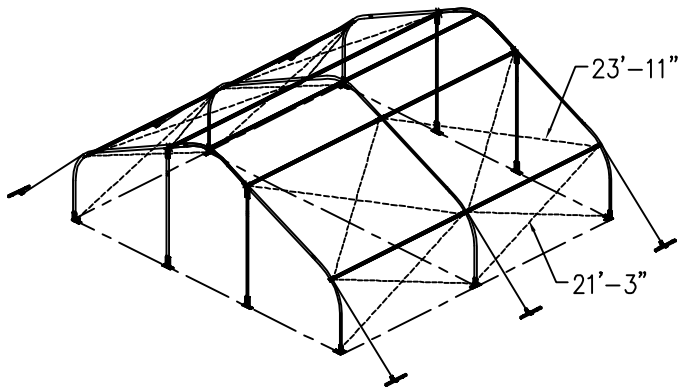
**PLAN VIEW**

ALL DATA AND INFORMATION CONTAINED IN OR DISCLOSED HEREIN IS THE PROPERTY OF AZTEC. ALL RIGHTS THEREIN ARE EXPRESSLY RESERVED. BY ACCEPTING THIS MATERIAL THE RECIPIENT AGREES THAT THIS MATERIAL AND INFORMATION CONTAINED THEREIN IS HELD IN CONFIDENCE AND IN TRUST AND WILL NOT BE COPIED, REPRODUCED WHOLE OR IN PART, EXCEPT AS MAY BE NECESSARY TO MEET THE SPECIFIC PURPOSE FOR WHICH IT WAS DELIVERED.

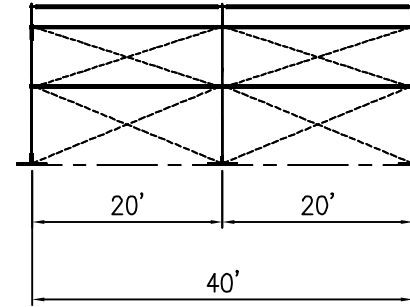
**AZTEC**  
 2665 COLUMBIA ST. TORRANCE, CA. 90503  
 (800) 228-3687 - FAX (310) 381-0722

ENGINEER N/A DRAWN ELVIS DATE 5/30/2012

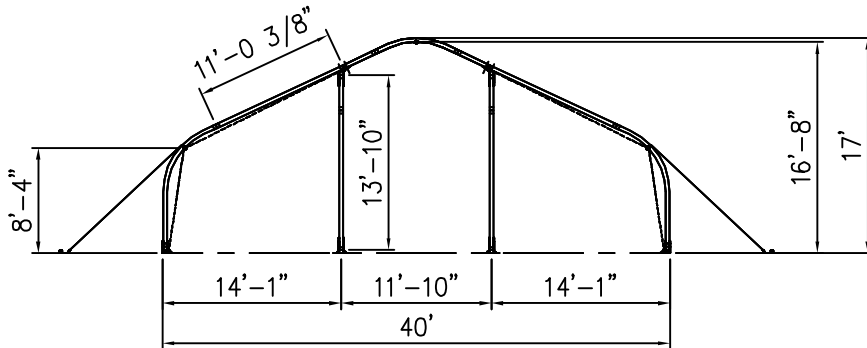
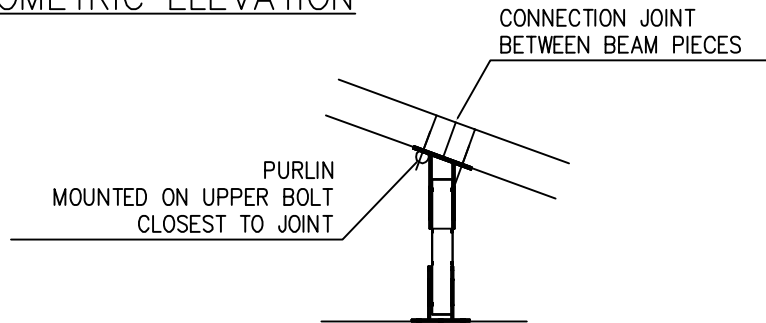
<b>STANDARD</b>	
MINI BEAM STRUCTURE / STANDARD	
40' x 20' L	DRAWING NUMBER
CODE	SIZE
AZ 4020-MINI	REV
	0



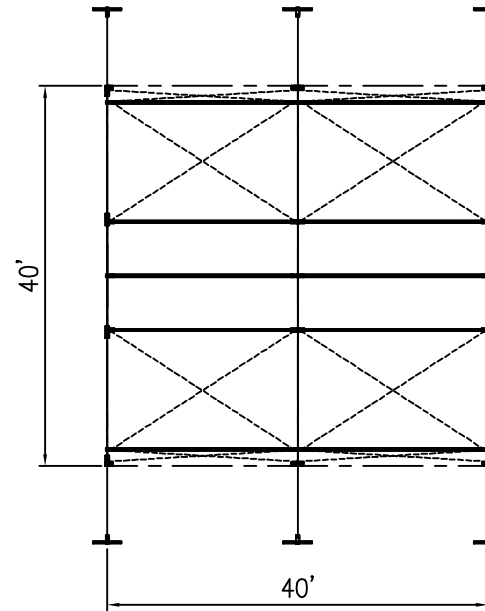
ISOMETRIC ELEVATION



SIDE ELEVATION



FRONT ELEVATION



PLAN ELEVATION



480 ALASKA AVE. TORRANCE, CA. 90503  
(800) 228-3687 - FAX (310) 381-0722

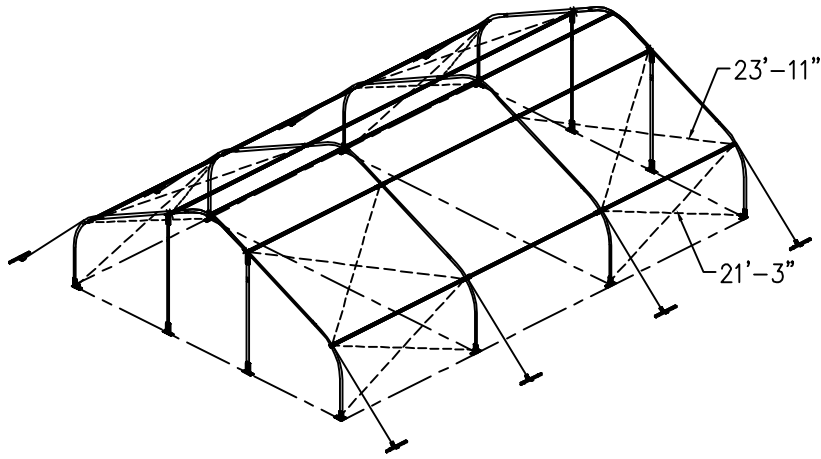
STANDARD

MINI BEAM STRUCTURE / STANDARD  
40' W x 40' L x 20' BAYS

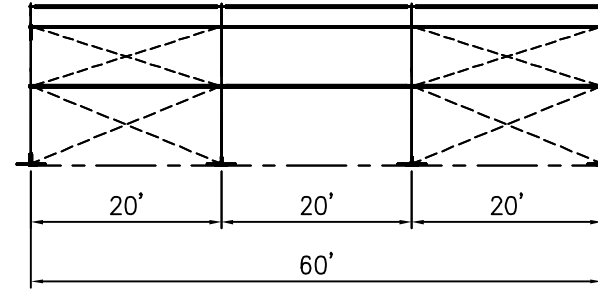
ENGINEER	CM	DRAWN	KT	DATE	06/20/06
CHECKED	-				

ALL DATA AND INFORMATION CONTAINED IN OR DISCLOSED BY THIS DOCUMENT IS CONFIDENTIAL AND PROPRIETARY INFORMATION OF AZTEC TENTS AND ALL RIGHTS THEREIN ARE RESERVED. THE RECIPIENT AGREES THAT THIS MATERIAL AND INFORMATION CONTAINED HEREIN IS HELD IN CONFIDENCE AND IN TRUST AND WILL NOT BE COPIED, REPRODUCED WHOLE OR IN PART, NOR ITS CONTENTS REVEALED IN ANY MANNER TO OTHERS, WITHOUT THE WRITTEN CONSENT OF AZTEC TENTS, TO MEET THE SPECIFIC PURPOSE FOR WHICH IT WAS DELIVERED.

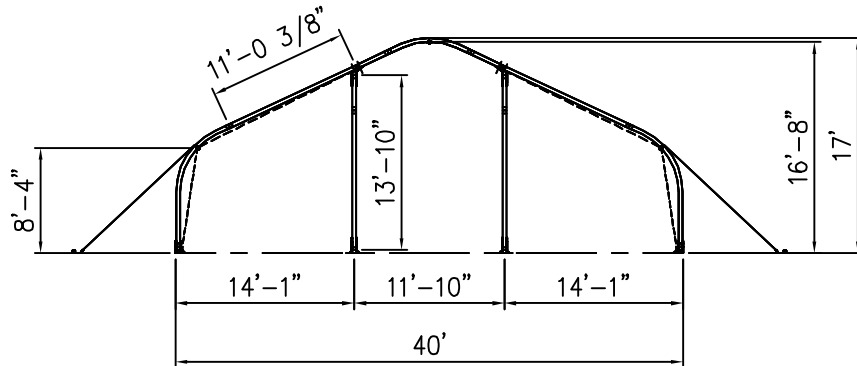
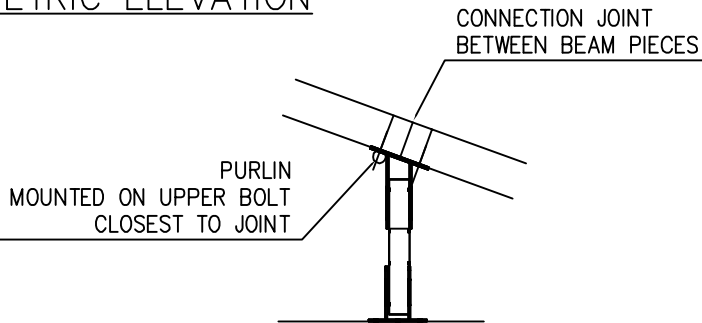
PART DESCRIPTION		CODE	SIZE	DRAWING NUMBER	REV
				AZ-40x40-MINI	1



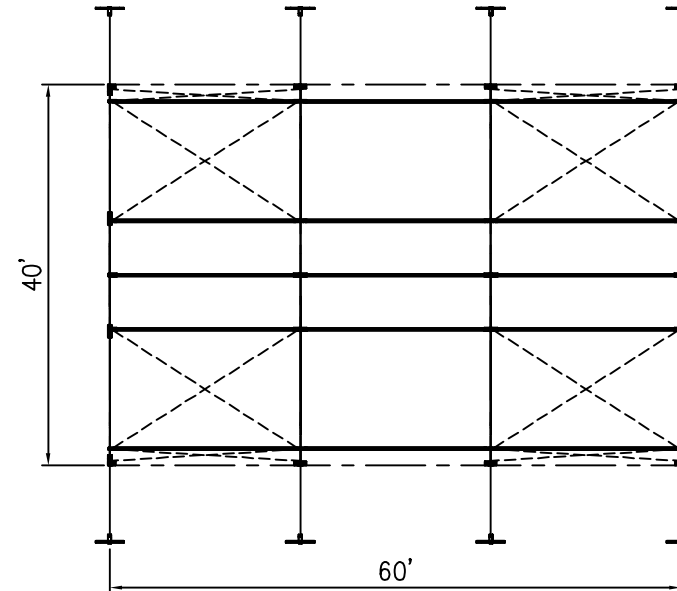
ISOMETRIC ELEVATION



SIDE ELEVATION



FRONT ELEVATION

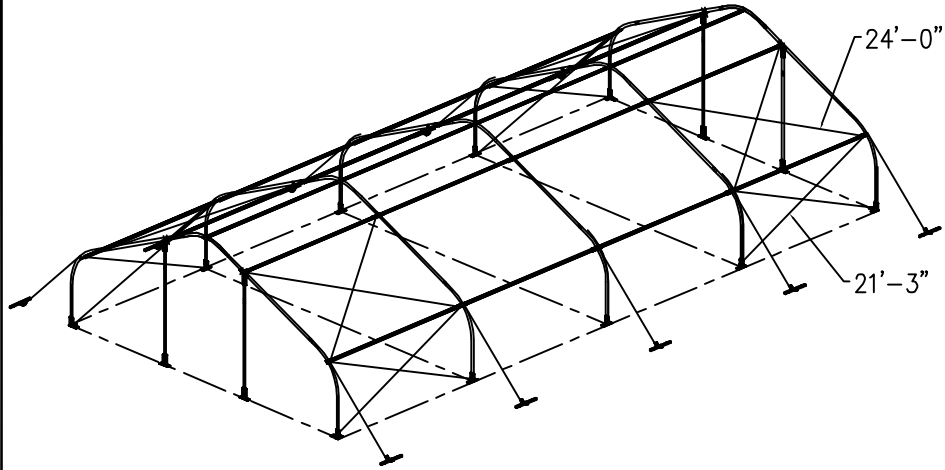


PLAN ELEVATION

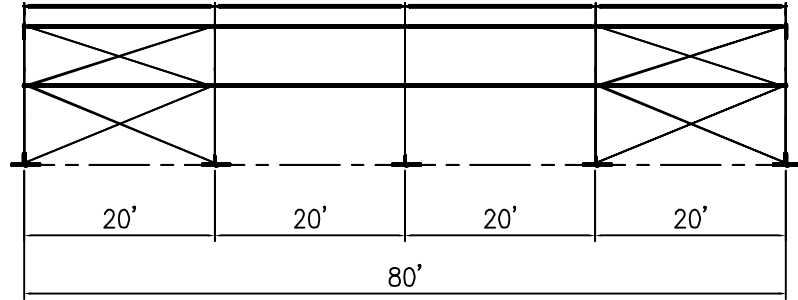
STANDARD	
MINI BEAM STRUCTURE / STANDARD 40' W x 60' L x 20' BAYS	
PART DESCRIPTION	DRAWING NUMBER
MINI	AZ-40x60x20-MINI

480 ALASKA AVE. TORRANCE, CA. 90503 (800) 228-3687 - FAX (310) 381-0722	
ENGINEER	DRAWN
CM	KT
CHECKED	DATE
-	04/11/06

ALL DATA AND INFORMATION CONTAINED IN OR DISCLOSED BY THIS DOCUMENT IS CONFIDENTIAL AND PROPRIETARY INFORMATION OF AZTEC TENTS AND ALL RIGHTS THEREIN ARE RESERVED. THE RECIPIENT AGREES THAT THIS MATERIAL AND INFORMATION CONTAINED THEREIN IS HELD IN CONFIDENCE AND IN TRUST AND WILL NOT BE COPIED, REPRODUCED WHOLE OR IN PART, NOR ITS CONTENTS REVEALED IN ANY MANNER TO OTHERS, WITHOUT THE WRITTEN CONSENT OF AZTEC TENTS, EXCEPT TO MEET THE SPECIFIC PURPOSE FOR WHICH IT WAS DELIVERED.	1345 04/11/06
M:\BUILDING\40-W\40x60x20	0



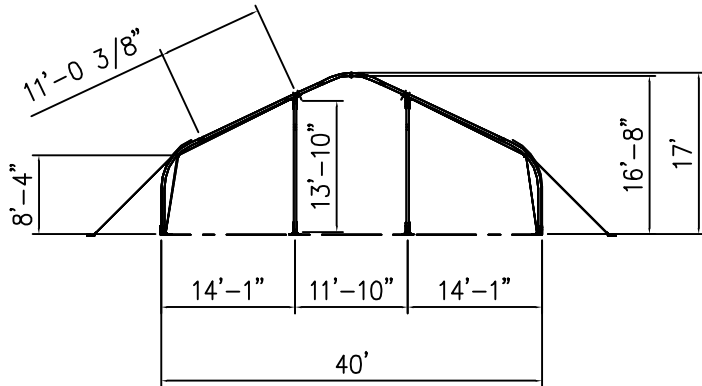
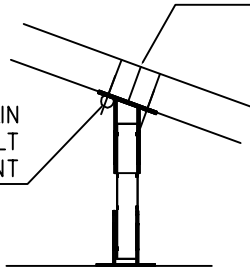
ISOMETRIC ELEVATION



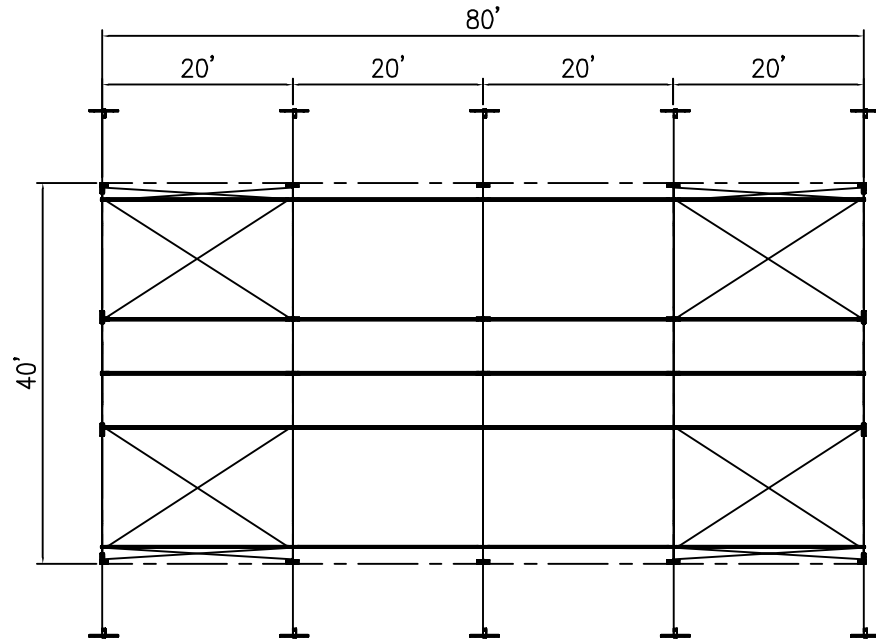
SIDE ELEVATION

CONNECTION JOINT  
BETWEEN BEAM PIECES

PURLIN  
MOUNTED ON UPPER BOLT  
CLOSEST TO JOINT



FRONT ELEVATION



PLAN ELEVATION



540 HAWAII AVE. TORRANCE, CA. 90503  
(800) 258-7988 - (310) 328-3000 - FAX (310) 328-5356

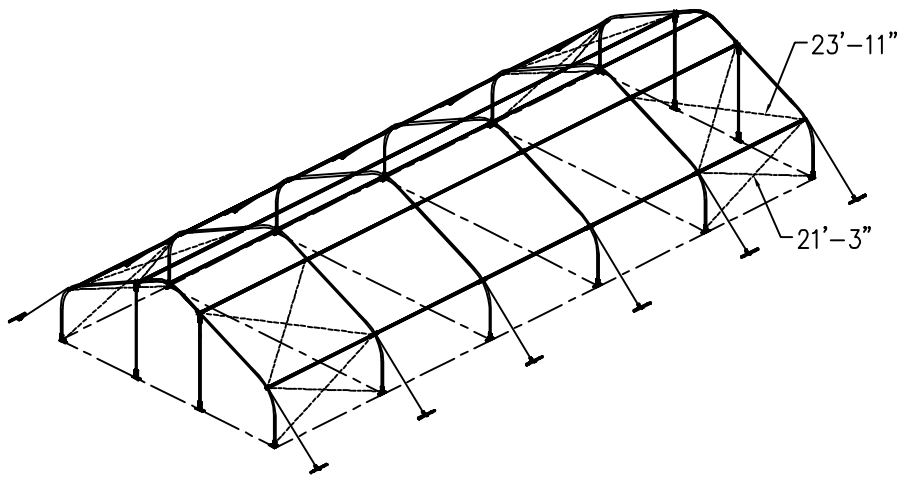
STANDARD

MINI BEAM STRUCTURE / STANDARD  
40' W x 80' x 20' BAYS

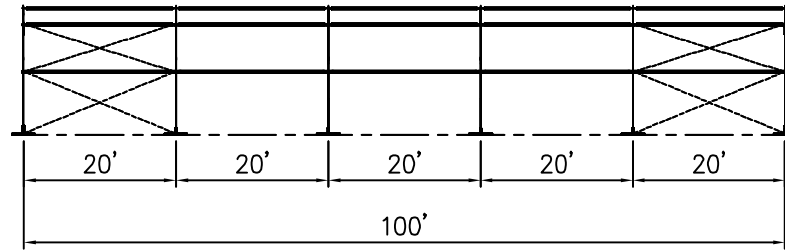
REV	0
DRAWING NUMBER	AZ-4080-MINI
CODE	---
PART DESCRIPTION	---

ALL DATA AND INFORMATION CONTAINED IN OR DISCLOSED BY THIS DOCUMENT IS CONFIDENTIAL AND PROPRIETARY INFORMATION OF AZTEC TENT AND EVENT INC. AND ALL RIGHTS THEREIN ARE EXPRESSLY RESERVED. BY ACCEPTING THIS MATERIAL THE RECIPIENT AGREES TO HOLD AZTEC TENT AND EVENT INC. HARMLESS AND WILL NOT BE COPIED, REPRODUCED WHOLE OR IN PART, NOR ITS CONTENTS REVEALED IN ANY MANNER TO OTHERS, EXCEPT TO MEET THE SPECIFIC PURPOSE FOR WHICH IT WAS DELIVERED.

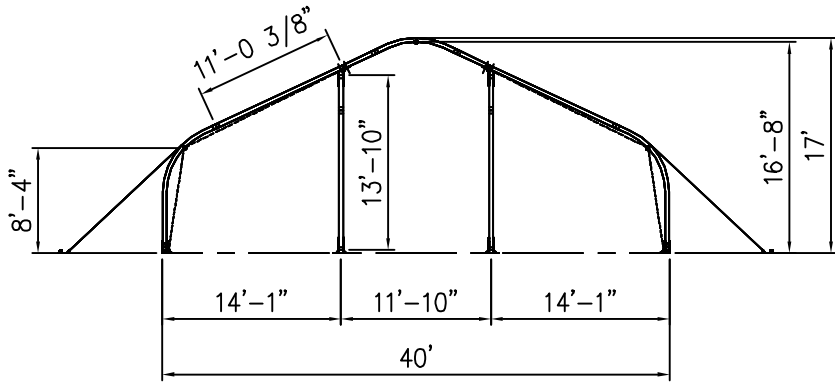
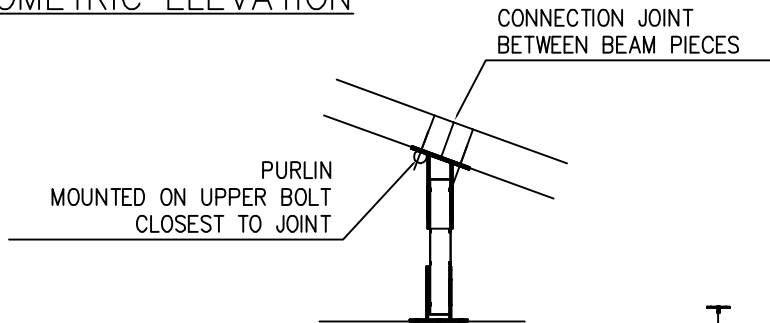
ENGINEER	CM	DRAWN	KT	DATE	10/03/05
CHECKED	-	100305	800	MINI BUILDINGS\40-W\40x80x20	



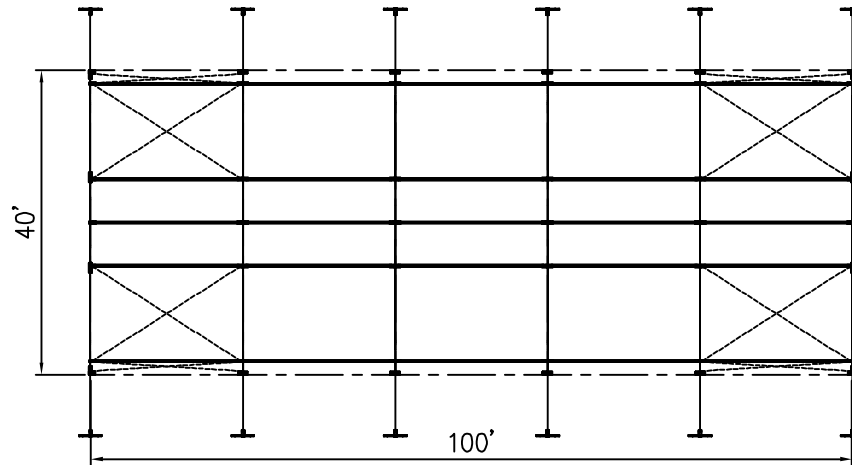
ISOMETRIC ELEVATION



SIDE ELEVATION



FRONT ELEVATION



PLAN ELEVATION



480 ALASKA AVE. TORRANCE, CA. 90503  
(800) 228-3687 - FAX (310) 381-0722

STANDARD

MINI BEAM STRUCTURE / STANDARD  
40'W x 100'L x 20' BAYS

REV	
DRAWING NUMBER	MINI 0
SIZE	AZ-40x100x20-MINI
CODE	
PART DESCRIPTION	MINI

ENGINEER	CM
DRAWN	KT
DATE	06/25/07
CHECKED	-

ALL DATA AND INFORMATION CONTAINED IN OR DISCLOSED BY THIS DOCUMENT IS CONFIDENTIAL AND PROPRIETARY INFORMATION OF AZTEC TENTS AND ALL RIGHTS THEREIN ARE RESERVED BY AZTEC TENTS. THE RECIPIENT AGREES THAT THIS MATERIAL AND INFORMATION CONTAINED THEREIN IS HELD IN CONFIDENCE AND IN TRUST AND WILL NOT BE COPIED, REPRODUCED WHOLE OR IN PART, NOR ITS CONTENTS REVEALED IN ANY MANNER TO OTHERS, WITHOUT THE WRITTEN CONSENT OF AZTEC TENTS. THIS AGREEMENT IS MADE TO MEET THE SPECIFIC PURPOSE FOR WHICH IT WAS DELIVERED.

ENGINEER	CM
DRAWN	KT
DATE	06/25/07
CHECKED	-
PROJECT NUMBER	062507 1500