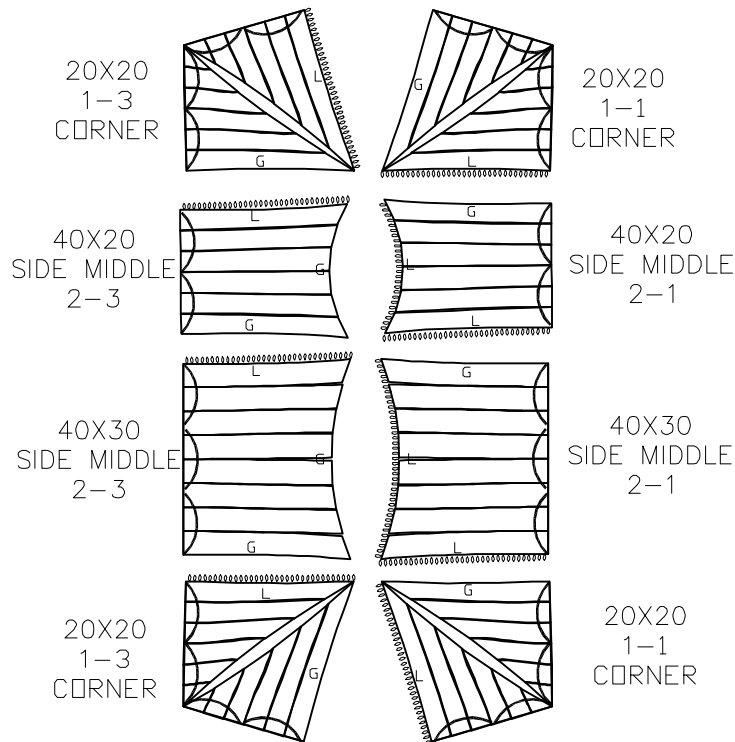


# Legend Series 40x Layout

L = LACELINE  
G = GROMMET



OUTSIDE

ALL DATA AND INFORMATION CONTAINED IN OR DISCLOSED BY THIS DOCUMENT IS CONFIDENTIAL AND PROPRIETARY INFORMATION OF AZTEC TENT AND EVENT INC. AND ALL RIGHTS THEREIN ARE EXPRESSLY RESERVED. BY ACCEPTING THIS MATERIAL THE RECIPIENT AGREES THAT THIS MATERIAL AND INFORMATION CONTAINED THEREIN IS HELD IN CONFIDENCE AND IN TRUST AND WILL NOT BE COPIED, REPRODUCED WHOLE OR IN PART, NOR ITS CONTENTS REVEALED IN ANY MANNER TO OTHERS, EXCEPT TO MEET THE SPECIFIC PURPOSE FOR WHICH IT WAS DELIVERED.



540 HAWAII AVE. TORRANCE, CA. 90503  
(800) 258-7368 - (310) 328-5060 - FAX (310) 328-5356

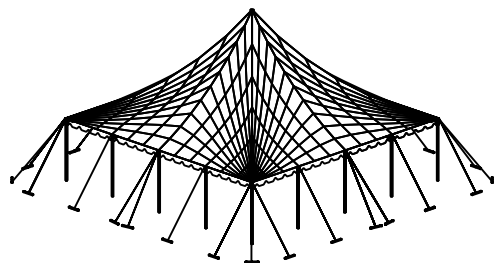
## STANDARD PATTERN LOCATIONS

40-50-60 LEGEND POLE / STANDARD

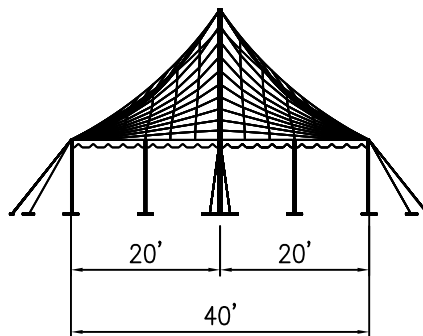
ENGINEER	CM	DRAWN	AK
CHECKED	-	DATE	11-04-05

PART DESCRIPTION	CODE	SIZE	DRAWING NUMBER	REV
----	AZ	40-50-60-	PATTERNS	0

40-50-60\PATTERNS 020609 1740



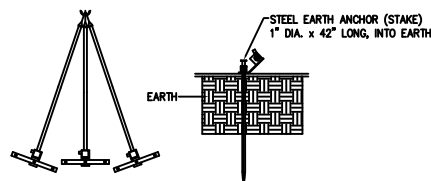
ISOMETRIC ELEVATION



SIDE ELEVATION

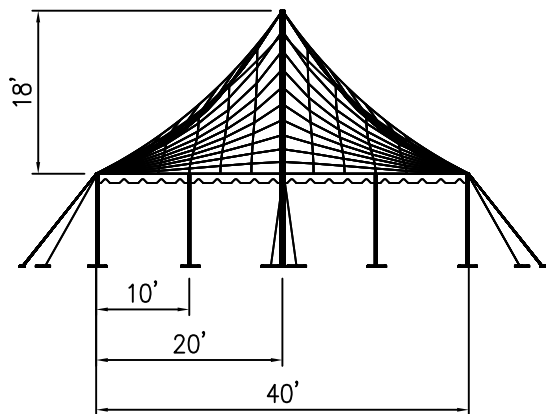
LEGEND 40-50-60  
40' x 40'

DETAIL OF STAKE BAR ASSEMBLY

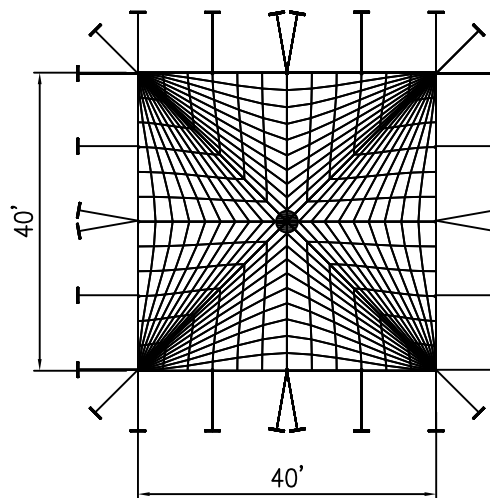


FOR ALL SR2000 TENTS

● = CENTER POLES NOT TO SCALE



FRONT ELEVATION



PLAN ELEVATION

ALL DATA AND INFORMATION CONTAINED IN OR DISCLOSED BY THIS DOCUMENT IS CONFIDENTIAL AND PROPRIETARY INFORMATION OF AZTEC TENTS AND ALL RIGHTS THEREIN ARE EXPRESSLY RESERVED. BY ACCEPTING THIS MATERIAL THE RECIPIENT AGREES THAT THIS MATERIAL AND INFORMATION CONTAINED THEREIN IS HELD IN CONFIDENCE AND IN TRUST AND WILL NOT BE COPIED, REPRODUCED WHOLE OR IN PART, NOR ITS CONTENTS REVEALED IN ANY MANNER TO OTHERS, EXCEPT TO MEET THE SPECIFIC PURPOSE FOR WHICH IT WAS DELIVERED.

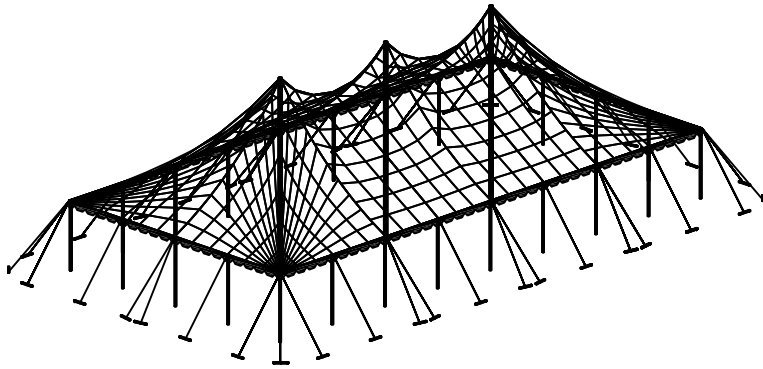
**AZTEC TENTS**  
DESIGN & PRODUCTION  
2665 COLUMBIA ST. TORRANCE, CA. 90503  
(800) 228-3687 - FAX (310) 381-0722

LEGEND SERIES FRAME  
LEGEND PO;E/STANDARD  
40' W X 40' L X 20' MIDDLES  
PART NUMBER: ZXXXXXXX

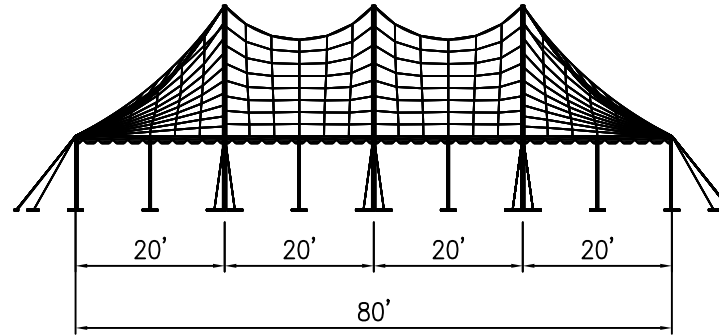
REVISION HISTORY			
REV.	DESCRIPTION:	BY:	DATE:

**CONFIDENTIAL**

ENGINEER:	N/A	DATE:	5/26/2016
PAGE:	1 OF 1	DRAWN:	HUGO.R

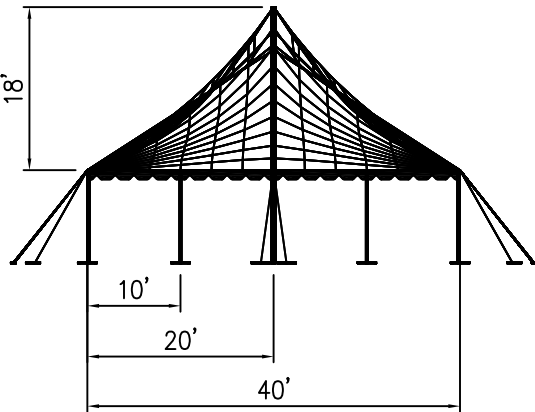


ISOMETRIC ELEVATION



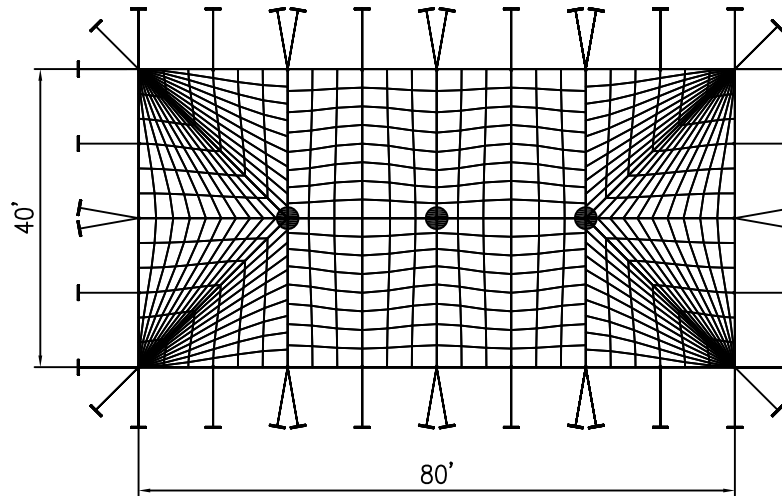
SIDE ELEVATION

LEGEND 40-50-60  
40' x 80'



FRONT ELEVATION

● = CENTER POLES NOT TO SCALE



PLAN ELEVATION

ALL DATA AND INFORMATION CONTAINED IN OR DISCLOSED BY THIS DOCUMENT IS CONFIDENTIAL AND PROPRIETARY INFORMATION OF AZTEC TENTS AND ALL RIGHTS THEREIN ARE EXPRESSLY RESERVED. BY ACCEPTING THIS MATERIAL THE RECIPIENT AGREES THAT THIS MATERIAL AND INFORMATION CONTAINED THEREIN IS HELD IN CONFIDENCE AND IN TRUST AND WILL NOT BE COPIED, REPRODUCED WHOLE OR IN PART, NOR ITS CONTENTS REVEALED IN ANY MANNER TO OTHERS, EXCEPT TO MEET THE SPECIFIC PURPOSE FOR WHICH IT WAS DELIVERED.

**AZTEC TENTS**  
DESIGN & PRODUCTION  
2665 COLUMBIA ST. TORRANCE, CA. 90503  
(800) 228-3687 - FAX (310) 381-0722

LEGEND SERIES FRAME  
LEGEND PO;E/STANDARD  
40'W X 80'L X 20' MIDDLES  
PART NUMBER: ZXXXXXXX

REVISION HISTORY			
REV.	DESCRIPTION:	BY:	DATE:

**CONFIDENTIAL**

ENGINEER:	N/A	DATE:	5/26/2016
PAGE:	1 OF 1	DRAWN:	HUGO.R