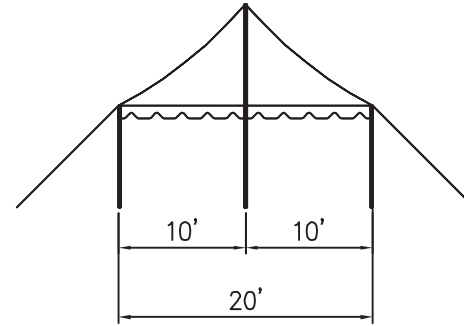
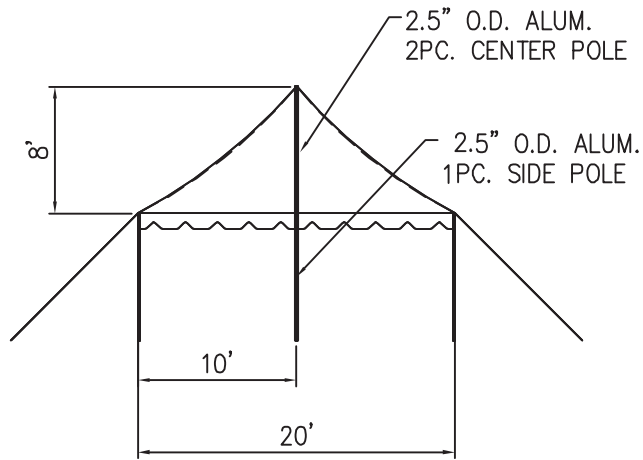


ISOMETRIC VIEW



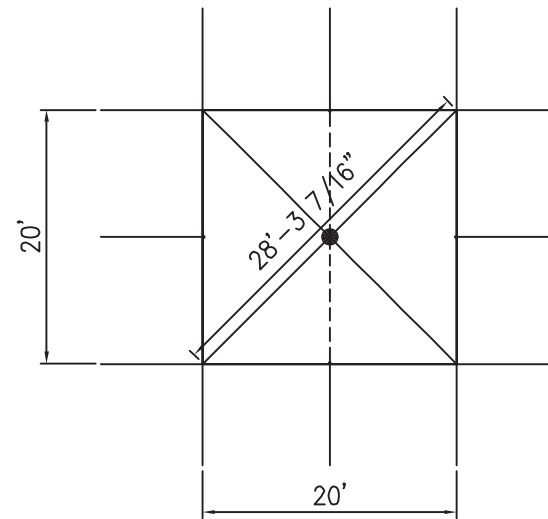
SIDE VIEW

SERIES 1000 TENT
20' x 20'



FRONT VIEW

● = CENTER POLES NOT TO SCALE



PLAN VIEW

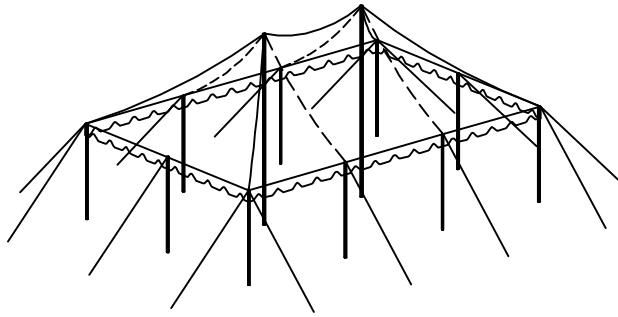
AZTEC
2685 COLUMBIA ST. TORRANCE, CA. 90503
(800) 228-3687 - FAX (310) 381-0722

ENGINEER CM
DRAWN KT
DATE 06/10/08

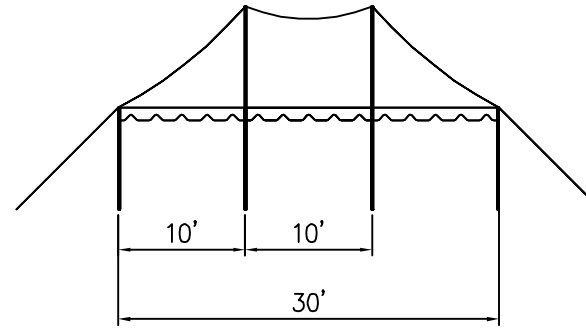
ALL DATA AND INFORMATION CONTAINED IN OR DISCLOSED BY THIS DOCUMENT IS CONFIDENTIAL AND PROPRIETARY INFORMATION OF AZTEC TENTS AND ALL RIGHTS THEREIN ARE RESERVED. BY ACCEPTING THIS OFFER, THE RECIPENT AGREES TO HOLD THIS MATERIAL AND INFORMATION CONTAINED THEREIN IN CONFIDENCE AND IN TRUST AND WILL NOT BE COPIED, REPRODUCED WHOLE OR IN PART, NOR ITS CONTENTS REVEALED IN ANY MANNER TO OTHERS, WITHOUT THE WRITTEN CONSENT OF AZTEC TENTS. ACCEPT TO MEET THE SPECIFIC PURPOSE FOR WHICH IT WAS DELIVERED.

POLENT\SERIES 1000\20x20x20.dwg, 6/30/2009 11:16:21 AM, pdfFactory.pc3

STANDARD	
SERIES 1000 / POLENT 20'W x 20'L x 10' LEG SPACING	
PART DESCRIPTION	CODE
SIZE	DRAWING NUMBER
AZ2020-	SERIES 1000
REV	1



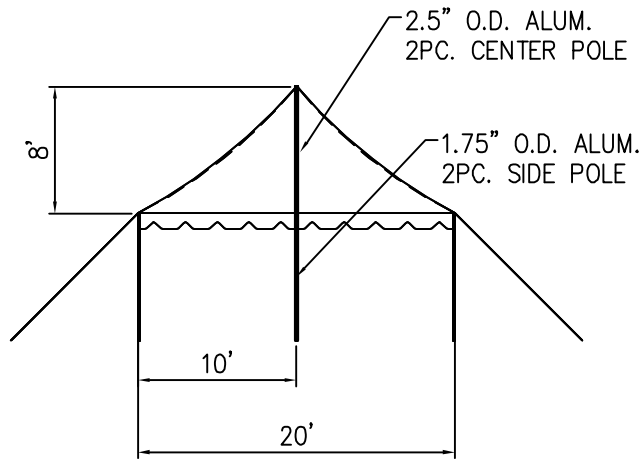
ISOMETRIC VIEW



SIDE VIEW

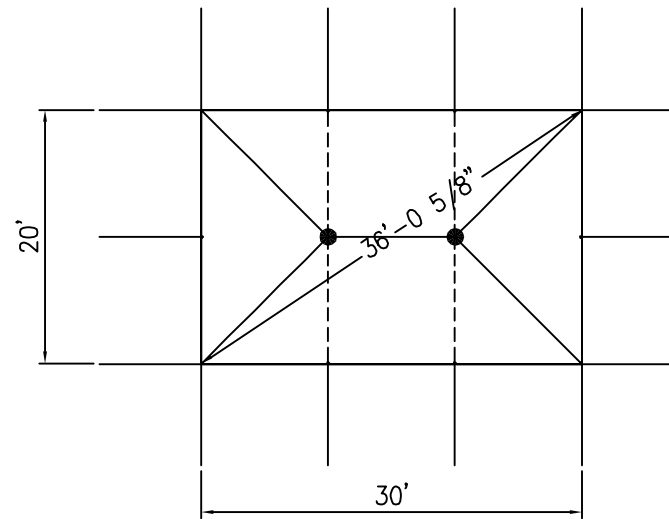
SERIES 1000 TENT
20' x 30'

- (2) 20'x10' ENDS
- (1) 20'x10' MIDDLE
- (2) 2.5" O.D. 2PC. CENTER POLE (7'L 15' / 8'L 16')
- (10) 1.75" O.D. SIDE POLE (7'L / 8'L)
- (14) 1" IN LINE RATCHETS
- (16) STAKES



FRONT VIEW

● = CENTER POLES NOT TO SCALE



PLAN VIEW

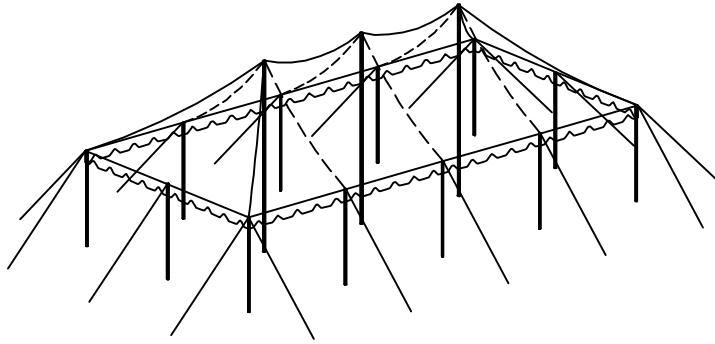


ALL DATA AND INFORMATION CONTAINED IN OR DISCLOSED BY THIS DOCUMENT IS CONFIDENTIAL AND PROPRIETARY INFORMATION OF AZTEC TENTS AND ALL RIGHTS THEREIN ARE RESERVED. THE RECIPENT AGREES TO HOLD THIS INFORMATION IN CONFIDENCE AND IN TRUST AND WILL NOT BE COPIED, REPRODUCED WHOLE OR IN PART, NOR ITS CONTENTS REVEALED IN ANY MANNER TO OTHERS, WITHOUT THE WRITTEN CONSENT OF AZTEC TENTS. ACCEPT TO MEET THE SPECIFIC PURPOSE FOR WHICH IT WAS DELIVERED.

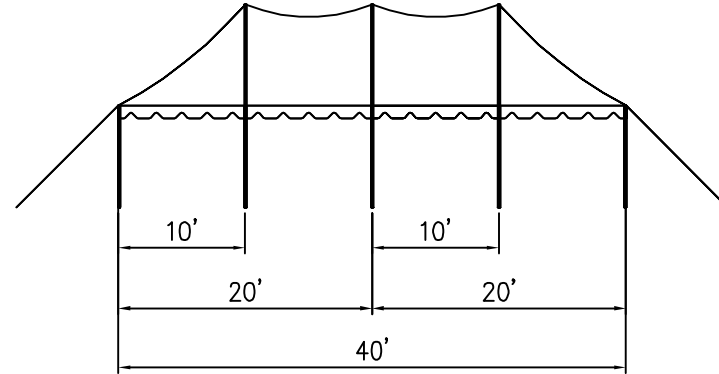
STANDARD	
SERIES 1000 / POLENT	
20'W x 30'L x 10' MIDDLE	
PART DESCRIPTION	---
CODE	---
SIZE	AZ2030-
DRAWING NUMBER	SERIES 1000
REV	1

ENGINEER	CM
DRAWN	KT
DATE	06/10/08
CHECKED	-

POLENT\SERIES 1000\20x30 063009 1120



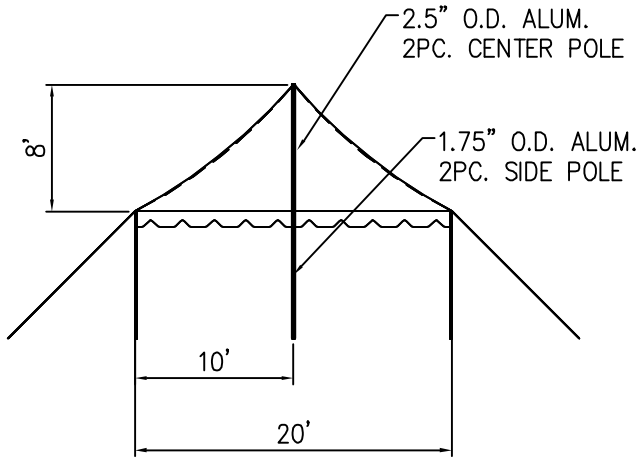
ISOMETRIC VIEW



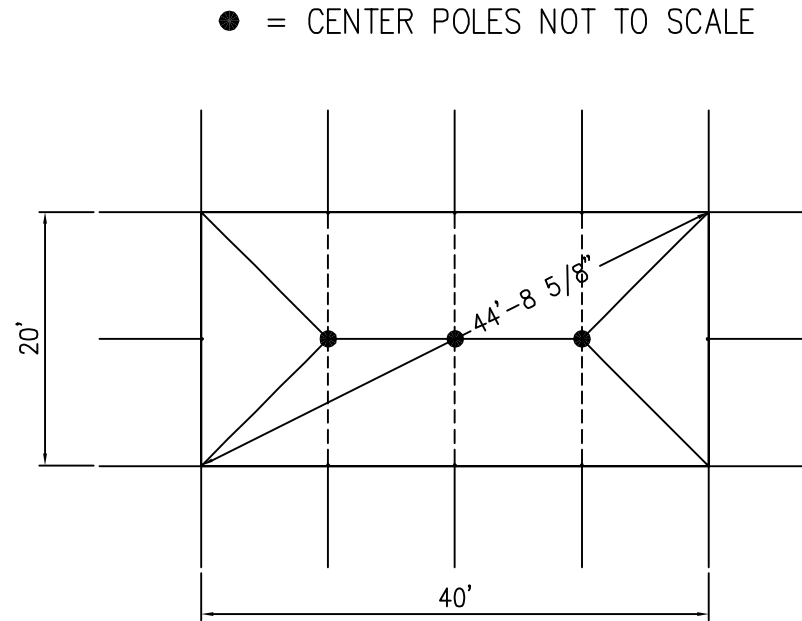
SIDE VIEW

SERIES 1000 TENT
20' x 40'

- (2) 20'x10' ENDS
- (2) 20'x10' MIDDLE
- (3) 2.5" O.D. 2PC. CENTER POLE (7'L 15' / 8'L 16')
- (12) 1.75" O.D. SIDE POLE (7'L / 8'L)
- (16) 1" IN LINE RATCHETS
- (19) STAKES



FRONT VIEW



PLAN VIEW



ALL DATA AND INFORMATION CONTAINED IN OR DISCLOSED BY THIS DOCUMENT IS CONFIDENTIAL AND PROPRIETARY INFORMATION OF AZTEC TENTS AND ALL RIGHTS THEREIN ARE RESERVED. THE RECIPENT AGREES TO HOLD THIS INFORMATION IN CONFIDENCE AND TO NOT REPRODUCE OR IN ANY MANNER DISCLOSE THE CONTENTS HEREIN TO ANY OTHER PARTY WITHOUT THE WRITTEN CONSENT OF AZTEC TENTS. THE RECIPENT AGREES TO MEET THE SPECIFIC PURPOSE FOR WHICH IT WAS DELIVERED.

STANDARD	
SERIES 1000 / POLENT 20'W x 40'L x 10' MIDDLES	
PART DESCRIPTION	---
CODE	AZ2040-SERIES 1000
SIZE	---
DRAWING NUMBER	1

ENGINEER	CM	DATE	06/10/08
CHECKED	-		

POLENT\SERIES 1000\20x40.dwg 063009 1120